



Heating and Air Conditioning

## TECHNICAL GUIDE

R-410A

AFFINITY™ SERIES

DNZ/DNQ/DNX/DNY MODELS

2 - 5 TON

60 Hertz

### Description

These York® Affinity™ packaged cooling/heating air conditioners are designed for outdoor installation. Only utility and duct connections are required at the point of installation.

The single or two stage gas-fired heaters have aluminized steel tubular heat exchangers and spark to pilot ignition. They are available in natural gas with field conversion to propane.



Tested in accordance with:

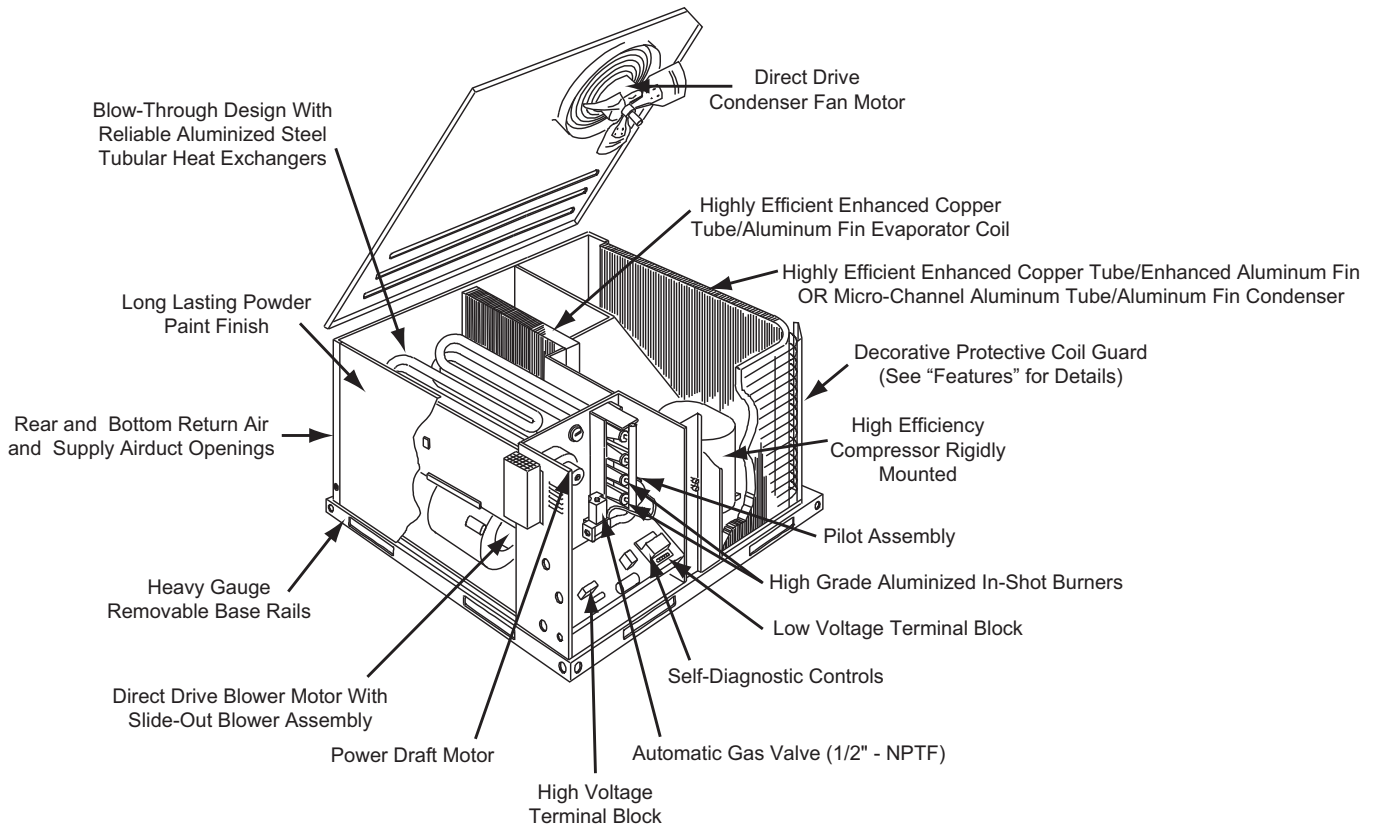


## Table of Contents

|                               |    |
|-------------------------------|----|
| Description .....             | 1  |
| Table of Contents .....       | 2  |
| Component Location .....      | 2  |
| Nomenclature .....            | 3  |
| Features and Benefits .....   | 3  |
| Guide Specifications .....    | 5  |
| Physical Data .....           | 7  |
| Capacity Performance .....    | 16 |
| Airflow Performance .....     | 48 |
| Sound Performance .....       | 64 |
| Electrical Data .....         | 66 |
| Typical Wiring Diagrams ..... | 68 |
| Weights and Dimensions .....  | 92 |

## Component Location

### Cooling/Gas Unit





corners with water drip edges add to the attractive appearance. The cabinet panels have a non-fibrous insulation that will not release insulation fibers into conditioned area.

- **Top Discharge** - The top discharge condenser fan does not disrupt neighboring areas or dry-out vegetation surrounding the unit. The warm air from the top mounted fan is blown up away from the structure and any landscaping. This allows compact location on multi-unit applications.
- **Condenser Coil Grille** - All DNZ024 thru 060 and DNQ060 models utilize a decorative "Wire Form" coil guard to provide impact protection against large objects. DNQ024 thru 048, DNY060 and DNX024 thru 048 models utilize a stamped "Louvered" design which provides superior impact protection against smaller objects during transit and after installation.
- **Low Operating Sound Level** - The upward air flow carries the normal operating noise up and away from the living area. The rigid top panel effectively isolates any motor sound. Isolator mounted compressor and the rippled fins of the condenser coil muffle the normal fan motor and compressor operating sounds. The unique formed base pan also aids in sound alterations with it's Super-Structure design. This design strategically places embossments in the pan for optimum strength and rigidity.
- **Fan System** - All models operate over a wide range of design conditions with an electrically commutated fan motor. These units easily match all types of applications and provide greater on site flexibility to match comfort requirement. The cooling speed is factory set and can be field adjusted to a second speed. The heating speed is factory set to maintain mid point rise at the units heating input, but can be field adjusted. This allows maximum comfort conditions.
- **Simple Control Circuit** - A low voltage printed circuit board contains a diagnostic indicator light and a low voltage terminal strip. An additional set of pin connectors is also provided to simplify the field interface of external controls. Mate-n-lock plug connectors are used. The electrical control box is not located in the compressor compartment. The controls are mounted on a Control-Tilt control panel to allow the access cover to be removed for trouble shooting and maintenance without affecting the normal system operating pressures. All wiring internal to the unit is color/number coded.
- **Protected Compressor** - The compressor is internally protected against high pressure and temperature. This is accomplished by the simultaneous operation of high pressure relief valve and a temperature sensor which protect the compressor if undesirable operating conditions occur.
- **Pressure Switches** - High pressure and low pressure/loss of charge switches standard in all units. When abnormal conditions are sensed through the pressure switches, the unit will lock out preventing any further operation until reset or problem is corrected.
- **Exclusive Coil Design** - Grooved copper tubes and enhanced aluminum fin construction improves heat

transfer for maximum efficiency and durability or Micro-Channel aluminum tube, aluminum fin for long lasting durability and efficient operation.

- **Heat Exchangers** - Are corrosion-resistant, aluminized-steel tubular construction to provide long-life, trouble-free operation. The unique blow-through design also assures that condensate does not collect in humid areas when in the cooling cycle. This adds to longer heat exchanger life and higher long term efficiencies.
- **Post Purge Induced Draft Combustion** - Exhausts combustion products from the heat exchanger upon completion of the heating cycle to prolong the heat exchanger life.
- **Self Diagnostic Fan Control Module** - Due to this self diagnostic control, less on site time is required to trouble shoot these units.
- **Spark To Pilot Ignition** - Provides faster heat delivery. This ignition is highly reliable, durable and eliminates nuisance lockouts.
- **Multi Port In-shot Burners** - No field adjustment is required to mix the air and gas. These burners are constructed of high-grade corrosion-resistant, aluminized-steel.
- **Low Maintenance** - Long life, permanently lubricated condenser and evaporator fan motor bearings need no annual maintenance adding greater reliability to the unit. Blower assembly can be easily cleaned by the unique Slip-Track slide-out blower assembly.
- **Secured Service Access Ports** - Protected, externally mounted, re-usable service access ports are provided on both the high and low lines for ease of evacuating and charging the system. No final field mounting required.
- **Easy Service Access** - A large, single panel covers the electrical and gas controls makes servicing easy. The blower compartment has an additional large panel with a built-in handle tab. Removing this panel will allow the blower assembly to slide-out for easy removal for maintenance and ease of trouble shooting.
- **Replacement Parts** - The installer requires no special training to replace any of the components of these units and does not need to maintain an inventory of unique parts.
- **System Integration** - Each unit has the internal ability to integrate an electronic air cleaner or humidifier to work in conjunction with the base unit.

#### Field Installed Accessories

- **Low NOx Kit** - Kit includes all the necessary hardware and instructions to field convert units to reduce emissions to less than 40 nanogram per Joule. California requirement on single phase models only.
- **Propane Conversion Kit** - Kit includes burner orifices, gas valve conversion and installation instructions necessary to field convert unit from natural gas to propane.
- **High Altitude Conversion Kit (Natural Gas/Propane)** - Kit includes all necessary labels and instructions to field alter

units with natural gas/propane for installations above 2000 feet. Burner orifices must be obtained from Source 1 Parts. Propane Conversion Kit must be obtained separately.

- **Economizer Down Discharge/Supply Kit** - Modulating integrated economizer provides simultaneous operation between the mechanical cooling and economizer operation. Independent blade design insures proper control and less than 1% leak rate. Includes hood and mesh bird screen filter integrated into the hood, dry bulb sensor and relief damper. Separate field accessories of single enthalpy and dual enthalpy are also available. A built-in barometric relief of 25% is provided.
- **Single Enthalpy Sensor** - Sensor replaces dry bulb sensor standard in economizer kit. Provides improved economizer operation by sensing the dry bulb temperature from outdoors plus the enthalpy content of the outdoor air.
- **Dual Enthalpy Sensor** - Additional sensor to single enthalpy sensor. Sensor senses both the return air temperature dry bulb and humidity in conjunction with the single enthalpy to determine the most economical mix. Single Enthalpy sensor also required.
- **Hail Guard Kit** - Kit contains protective grilles made of expanded aluminum with full perimeter frame. Sloped hoods are also included to assure maximum protection.
- **Anti Short Cycle Timer (DNZ Units Only)** - Automatically prevents the compressor from restarting for 5 minutes after cycled off. Not required if Thermostat 2ET07700224 and 2ET04700224 are used.
- **Filter/Frame Kit (Single Phase Only)** - Kit contains the necessary hardware to field install return air filters into the base unit. Pre-cut filter racks and appropriate cleanable standard size filters are shipped in one kit. The filter rack is suitable for either 1" or 2" filters. (1" filter is supplied) This kit is available for single phase horizontal or vertical duct application only. Standard in all 3 Phase models.
- **Motorized Fresh Air Damper** - Designed for duct mounted side supply/return and unit mounted down supply/return applications. Damper capable of providing 0% through 50% of outdoor air (field supplied). Closes on power loss, includes hood and screen assembly.
- **Rectangle To Round Adapters** - Kit includes one supply and one return air rectangle to round duct adapter. Adapters are preformed and designed to fit over current duct openings on the base unit. Transition is from side square duct opening to 14" round duct opening.
- **Roof Curbs** - NRCA approved curbs provide proper fit to base unit for rooftop installations. Curbs are designed to be assembled through hinge pins in each corner. Kit also provides seal strip to assure a water tight seal. 8 and 14 inch high roof curbs are available.
- **Manual Outdoor Damper** - Provides 0% through 50% outdoor air capability (field adjustable). Designed for duct mounted side supply/return applications. Includes hood and screen assembly.
- **Wall Thermostat** - The units are designed to operate with 24-volt electronic and electro-mechanical thermostats. All

units can operate with single stage heat/single stage cool thermostats - with or without the economizer.

- **Low Ambient Kit** - Kit provides necessary hardware to convert unit to operate in cooling cycle down to 0° F. Standard unit operation 45° F.
- **Transformer Kit** - Kit provides necessary hardware to provide single phase models from factory furnished 40 VA transformer capability to 75 VA transformer capability. (Required on installations with economizer or motorized damper.)

## Guide Specifications

### General

Units shall be manufactured by Unitary Products in an ISO 9001 certified facility. YORK's Affinity™ package units give you the flexibility and choices you need in today's market. These packaged cooling/heating air conditioners are designed for outdoor installation. Only utility and duct connections are required at the point of installation. The single or two stage gas fired heaters have aluminized steel tubular heat exchangers and spark to pilot ignition. They are available in natural gas with field conversion to propane.

### Description

Units shall be factory-assembled, single packaged, Electric Cooling/Gas Heating units, designed for outdoor mounted installation. For SEER ratings, refer to technical literature. They shall have built in, equal size, field convertible duct connections for down discharge supply/return or horizontal discharge supply/return. The units shall be factory wired, piped, charged with R-410A Refrigerant and factory tested prior to shipment. All unit wiring shall be both numbered and color coded. All units shall be manufactured in a facility certified to ISO 9001 standards, and the cooling performance shall be rated in accordance with DOE and AHRI test procedures. The heating performance shall be rated to DOE and GAMA test procedures. Units shall be CSA listed and classified to ANSI Z21.47/CAN/CSA 2.3 standards and UL 1995/CAN/CSA No. 236-M90 conditions.

### Unit Cabinet

Unit cabinet shall be constructed of G-90, pre-paint textured steel, certified at 500 hours salt spray test per ASTM-B117 standards. The unit top shall be a single piece "Water Shed" design, with drip edges and no-seam corners to provide optimum water integrity. Unit shall have a rigidly mounted condenser coil guard to provide protection from objects and personnel after installation. Indoor blower section shall be insulated with up to 3/4" thick, aluminum, foil faced insulation, fastened to prevent insulation from entering the air stream. Cabinet panels shall be "large" size, easily removable for servicing and maintenance, with built-in lift handles. Unit shall be built on a formed, "Super-Structure" design base pan, with embossments at critical points to add strength, rigidity and aid in minimizing sound. Full perimeter base rails shall be provided to assure reliable transit of equipment, overhead rigging, for

truck access and proper sealing on roof curb applications. Base rails shall be removable, when required, to lower unit height. Filters shall be furnished and be accessible through a removable access door, sealed airtight. Units vertical discharge and return duct configuration shall be designed to fit between standard 24" O.C. beams without modification to building structure, duct work and base unit. Condensate pan shall be internally sloped and conform to ASHRAE 62-89 self-draining standards, with 3/4" NPTF ridged mount connection.

#### **Indoor (Evaporator) Fan Assembly**

Fan shall be direct drive design. Fan wheel shall be double-inlet type with forward-curved blades, dynamically balanced to operate smoothly throughout the entire range of operation. Airflow design shall be constant air volume. Bearings shall be sealed and permanently lubricated for longer life and no maintenance. Fan assembly shall be "Slip Track" (slide-out) design for easy removal and cleaning.

#### **Outdoor (Condenser) Fan Assembly**

The outdoor fan shall be of the direct-driven propeller type, discharge air vertically, have aluminum blades riveted to corrosion resistant steel spider bracket and shall be statically balanced for smooth operation. The outdoor fan motor shall be totally enclosed with permanently lubricated bearings and internally protected against overload conditions.

#### **Refrigerant Components**

##### Compressors:

- a. Shall be fully hermetic type, direct drive, internally protected with internal high-pressure relief and over temperature protection. The hermetic motor shall be suction gas cooled and have a voltage range of +/- 10% of the unit nameplate voltage.
- b. Shall have internal isolation and sound muffling to minimize vibration and noise, and be externally isolated on a dedicated, independent mounting.

##### Coils:

- a. Evaporator coils shall have aluminum plate fins mechanically bonded to seamless internally enhanced copper tubes with all joints brazed.
- b. Evaporator coil shall be of the direct expansion, blow through design.
- c. Condenser coils shall have aluminum plate fins mechanically bonded to seamless internally enhanced copper tubes with all joints brazed or Micro-Channel aluminum tube, aluminum fins.
- d. Condenser coil shall be draw through design.

Refrigerant Circuit and Refrigerant Safety Components shall include:

- a. Independent fixed orifice expansion devices.
- b. Filter/strainer to eliminate any foreign matter.

#### **Gas Heating Section (If Equipped)**

Heat exchanger and exhaust system shall be constructed of aluminized steel and shall be designed with induced draft combustion with post purge logic and redundant main gas valve. The heat exchanger shall be of the tubular type, constructed of T1-40 aluminized steel for corrosion resistance and allowing minimum mixed air entering temperature of 40 °F. Burners shall be of the in-shot type, constructed of aluminum-coated steel. All gas piping shall enter the unit cabinet at a single location through either the side or bottom, without any field modifications. An integrated control board shall provide timed control of evaporator fan functioning and burner ignition. Heating section shall be provided with the following minimum protection:

- a. Primary and auxiliary high-temperature limit switches.
- b. Induced draft pressure sensor.
- c. Flame roll out switch (manual reset).
- d. Flame proving controls.

## Physical Data

### DNZ Single Stage Physical Data

| Component                           | Models               |       |                 |       |                 |       |                 |       |                 |       |                 |       |        |       |       |
|-------------------------------------|----------------------|-------|-----------------|-------|-----------------|-------|-----------------|-------|-----------------|-------|-----------------|-------|--------|-------|-------|
|                                     | DNZ024               |       | DNZ030          |       | DNZ036          |       | DNZ042          |       | DNZ048          |       | DNZ060          |       |        |       |       |
| Nominal Tonnage                     | 2.0                  |       | 2.5             |       | 3.0             |       | 3.5             |       | 4.0             |       | 5.0             |       |        |       |       |
| <b>AHRI COOLING PERFORMANCE</b>     |                      |       |                 |       |                 |       |                 |       |                 |       |                 |       |        |       |       |
| Gross Capacity @ AHRI A point (MBH) | 24.7                 |       | 30.8            |       | 35.6            |       | 43.0            |       | 48.8            |       | 59.5            |       |        |       |       |
| AHRI net capacity (MBH)             | 24.0                 |       | 30.0            |       | 34.2            |       | 41.5            |       | 46.0            |       | 56.0            |       |        |       |       |
| EER                                 | 11.6                 |       | 11.5            |       | 11.1            |       | 11.6            |       | 11.00           |       | 11.00           |       |        |       |       |
| SEER                                | 13.2                 |       | 13.2            |       | 13.2            |       | 13.4            |       | 13.0            |       | 13.0            |       |        |       |       |
| Nominal CFM                         | 850                  |       | 940             |       | 1200            |       | 1300            |       | 1550            |       | 1600            |       |        |       |       |
| System power (KW)                   | 2.1                  |       | 2.7             |       | 3.2             |       | 3.6             |       | 4.2             |       | 5.1             |       |        |       |       |
| Refrigerant type                    | R-410A               |       | R-410A          |       | R-410A          |       | R-410A          |       | R410A           |       | R410A           |       |        |       |       |
| Refrigerant charge (lb-oz)          | 3-10                 |       | 4-0             |       | 4-0             |       | 4-14            |       | 4-8             |       | 5-2             |       |        |       |       |
| <b>AHRI HEATING PERFORMANCE</b>     |                      |       |                 |       |                 |       |                 |       |                 |       |                 |       |        |       |       |
| Heating model                       | N036                 | N056  | N036            | N056  | N036            | N056  | N072            | N065  | N090            | N065  | N090            | N110  | N065   | N090  | N110  |
| Heat input (K Btu)                  | 45                   | 70    | 45              | 70    | 45              | 70    | 90              | 80    | 108             | 80    | 108             | 135   | 80     | 108   | 135   |
| Heat output (K Btu)                 | 36                   | 56    | 36              | 56    | 36              | 56    | 72              | 64    | 87              | 64    | 87              | 108   | 64     | 87    | 108   |
| AFUE %                              | 81.0                 | 81.0  | 81.0            | 81.0  | 81.0            | 81.0  | 81.0            | 81.0  | 81.0            | 81.0  | 81.0            | 81.0  | 81.0   | 81.0  | 81.0  |
| No. burners                         | 2                    | 3     | 2               | 3     | 2               | 3     | 4               | 3     | 4               | 3     | 4               | 5     | 3      | 4     | 5     |
| No. stages                          | 1                    | 1     | 1               | 1     | 1               | 1     | 1               | 1     | 1               | 1     | 1               | 1     | 1      | 1     | 1     |
| Temperature Rise Range (°F)         | 25-55                | 30-60 | 25-55           | 30-60 | 25-55           | 25-55 | 30-60           | 25-55 | 45-75           | 25-55 | 35-65           | 45-75 | 25-55  | 35-65 | 45-75 |
| Gas Limit Setting (°F)              | 140                  | 160   | 140             | 160   | 140             | 160   | 160             | 150   | 175             | 150   | 175             | 160   | 150    | 175   | 160   |
| Gas piping connection (in.)         | 1/2                  |       | 1/2             |       | 1/2             |       | 1/2             |       | 1/2             |       | 1/2             |       | 1/2    |       |       |
| <b>DIMENSIONS (inches)</b>          |                      |       |                 |       |                 |       |                 |       |                 |       |                 |       |        |       |       |
| Length                              | 49 1/8               |       | 49 1/8          |       | 49 1/8          |       | 49 1/8          |       | 49 1/8          |       | 49 1/8          |       | 49 1/8 |       |       |
| Width                               | 47 1/4               |       | 47 1/4          |       | 47 1/4          |       | 47 1/4          |       | 47 1/4          |       | 47 1/4          |       | 47 1/4 |       |       |
| Height                              | 33 1/2               |       | 33 1/2          |       | 33 1/2          |       | 41 1/2          |       | 41 1/2          |       | 41 1/2          |       | 41 1/2 |       |       |
| <b>OPERATING WT. (lbs.)</b>         |                      |       |                 |       |                 |       |                 |       |                 |       |                 |       |        |       |       |
| Unit Weight (lbs.)                  | 378                  |       | 398             |       | 402             |       | 460             |       | 465             |       | 480             |       |        |       |       |
| <b>COMPRESSOR</b>                   |                      |       |                 |       |                 |       |                 |       |                 |       |                 |       |        |       |       |
| Type                                | Recip 1-spd          |       | Recip 1-spd     |       | Recip 1-spd     |       | Recip 1-spd     |       | Scroll 1-spd    |       | Scroll 1-spd    |       |        |       |       |
| <b>CONDENSER COIL DATA</b>          |                      |       |                 |       |                 |       |                 |       |                 |       |                 |       |        |       |       |
| Face area (Sq. Ft.)                 | 11.9                 |       | 11.9            |       | 11.9            |       | 15              |       | 15              |       | 15              |       |        |       |       |
| Rows                                | 1                    |       | 1               |       | 1               |       | 1               |       | 1               |       | 1               |       |        |       |       |
| Fins per inch                       | 23                   |       | 23              |       | 23              |       | 23              |       | 23              |       | 23              |       |        |       |       |
| Tube diameter (in.)                 | 0.71 / 18            |       | 0.71 / 18       |       | 0.71 / 18       |       | 0.71 / 18       |       | 0.71 / 18       |       | 0.71 / 18       |       |        |       |       |
| Circuitry Type                      | 2-pass Micro-Channel |       |                 |       |                 |       |                 |       |                 |       |                 |       |        |       |       |
| <b>EVAPORATOR COIL DATA</b>         |                      |       |                 |       |                 |       |                 |       |                 |       |                 |       |        |       |       |
| Face area (Sq. Ft.)                 | 3.4                  |       | 3.4             |       | 3.4             |       | 4.4             |       | 4.4             |       | 4.4             |       |        |       |       |
| Rows                                | 2                    |       | 3               |       | 3               |       | 3               |       | 3               |       | 4               |       |        |       |       |
| Fins per inch                       | 15                   |       | 13              |       | 13              |       | 16              |       | 16              |       | 13              |       |        |       |       |
| Tube diameter                       | 3/8                  |       | 3/8             |       | 3/8             |       | 3/8             |       | 3/8             |       | 3/8             |       |        |       |       |
| Circuitry Type                      | Interlaced           |       | Interlaced      |       | Interlaced      |       | Interlaced      |       | Interlaced      |       | Interlaced      |       |        |       |       |
| Refrigerant control                 | Orifice              |       | Orifice         |       | Orifice         |       | Orifice         |       | TXV             |       | TXV             |       |        |       |       |
| <b>CONDENSER FAN DATA</b>           |                      |       |                 |       |                 |       |                 |       |                 |       |                 |       |        |       |       |
| Fan diameter (Inch)                 | 22                   |       | 22              |       | 22              |       | 22              |       | 22              |       | 22              |       |        |       |       |
| Type                                | Prop                 |       | Prop            |       | Prop            |       | Prop            |       | Prop            |       | Prop            |       |        |       |       |
| Drive type                          | Direct               |       | Direct          |       | Direct          |       | Direct          |       | Direct          |       | Direct          |       |        |       |       |
| No. speeds                          | 1                    |       | 1               |       | 1               |       | 1               |       | 1               |       | 1               |       |        |       |       |
| Motor HP                            | 1/4                  |       | 1/4             |       | 1/4             |       | 1/3             |       | 1/3             |       | 1/2             |       |        |       |       |
| RPM                                 | 1100                 |       | 1100            |       | 1100            |       | 1120            |       | 1120            |       | 1090            |       |        |       |       |
| Nominal total CFM                   | 2400                 |       | 2400            |       | 2400            |       | 3200            |       | 3200            |       | 3200            |       |        |       |       |
| <b>DIRECT DRIVE EVAP FAN DATA</b>   |                      |       |                 |       |                 |       |                 |       |                 |       |                 |       |        |       |       |
| Fan Size (Inch)                     | 10 x 8               |       | 10 x 8          |       | 11 x 10         |       | 11 x 10         |       | 11 x 10         |       | 11 x 10         |       |        |       |       |
| Type                                | Centrifugal          |       | Centrifugal     |       | Centrifugal     |       | Centrifugal     |       | Centrifugal     |       | Centrifugal     |       |        |       |       |
| Motor HP                            | 1/2                  |       | 3/4             |       | 3/4             |       | 3/4             |       | 1               |       | 1               |       |        |       |       |
| RPM                                 | Variable             |       | Variable        |       | Variable        |       | Variable        |       | Variable        |       | Variable        |       |        |       |       |
| Frame size                          | 48                   |       | 48              |       | 48              |       | 48              |       | 48              |       | 48              |       |        |       |       |
| <b>FILTERS</b>                      |                      |       |                 |       |                 |       |                 |       |                 |       |                 |       |        |       |       |
| Quantity - Size                     | 1 - 20 x 20 x 1      |       | 1 - 20 x 20 x 1 |       | 1 - 20 x 20 x 1 |       | 2 - 20 x 12 x 1 |       | 2 - 20 x 12 x 1 |       | 2 - 20 x 12 x 1 |       |        |       |       |

## DNZ Two Stage Physical Data

| Component                           | Models               |                 |                 |         |                 |                 |          |                 |          |
|-------------------------------------|----------------------|-----------------|-----------------|---------|-----------------|-----------------|----------|-----------------|----------|
|                                     | DNZ024               | DNZ030          | DNZ036          |         | DNZ042          | DNZ048          | DNZ060   |                 |          |
| Nominal Tonnage                     | 2.0                  | 2.5             | 3.0             |         | 3.5             | 4.0             | 5.0      |                 |          |
| <b>AHRI COOLING PERFORMANCE</b>     |                      |                 |                 |         |                 |                 |          |                 |          |
| Gross Capacity @ AHRI A point (MBH) | 24.7                 | 30.8            | 35.6            |         | 43.0            | 48.8            | 59.5     |                 |          |
| AHRI net capacity (MBH)             | 24.0                 | 30.0            | 34.2            |         | 41.5            | 46.0            | 56.0     |                 |          |
| EER                                 | 11.6                 | 11.5            | 11.1            |         | 11.6            | 11.00           | 11.00    |                 |          |
| SEER                                | 13.2                 | 13.2            | 13.2            |         | 13.4            | 13.0            | 13.0     |                 |          |
| Nominal CFM                         | 850                  | 940             | 1200            |         | 1300            | 1550            | 1600     |                 |          |
| System power (KW)                   | 2.1                  | 2.7             | 3.2             |         | 3.6             | 4.2             | 5.1      |                 |          |
| Refrigerant type                    | R-410A               | R-410A          | R-410A          |         | R-410A          | R410A           | R410A    |                 |          |
| Refrigerant charge (lb-oz)          | 3-10                 | 4-0             | 4-0             |         | 4-14            | 4-8             | 5-2      |                 |          |
| <b>AHRI HEATING PERFORMANCE</b>     |                      |                 |                 |         |                 |                 |          |                 |          |
| Heating model                       | D056                 | D056            | D056            | D072    | D090            | D090            | D110     | D090            | D110     |
| Heat input (K Btu)                  | 70/45.5              | 70/45.5         | 70/45.5         | 90/58.5 | 108/70.2        | 108/70.2        | 135/87.8 | 108/70.2        | 135/87.8 |
| Heat output (K Btu)                 | 56/36.4              | 56/36.4         | 56/36.4         | 72/46.8 | 87/56.2         | 87/56.2         | 108/70.2 | 87/56.2         | 108/70.2 |
| AFUE %                              | 81.0                 | 81.0            | 81.0            | 81.0    | 81.0            | 81.0            | 81.0     | 81.0            | 81.0     |
| No. burners                         | 3                    | 3               | 3               | 4       | 4               | 4               | 5        | 4               | 5        |
| No. stages                          | 2                    | 2               | 2               | 2       | 2               | 2               | 2        | 2               | 2        |
| Temperature Rise Range (°F)         | 30-60                | 30-60           | 25-55           | 30-60   | 45-75           | 35-65           | 45-75    | 35-65           | 45-75    |
| Gas Limit Setting (°F)              | 160                  | 160             | 160             | 160     | 175             | 175             | 170      | 175             | 170      |
| Gas piping connection (in.)         | 1/2                  | 1/2             | 1/2             |         | 1/2             | 1/2             |          | 1/2             |          |
| <b>DIMENSIONS (inches)</b>          |                      |                 |                 |         |                 |                 |          |                 |          |
| Length                              | 49 1/8               | 49 1/8          | 49 1/8          |         | 49 1/8          | 49 1/8          |          | 49 1/8          |          |
| Width                               | 47 1/4               | 47 1/4          | 47 1/4          |         | 47 1/4          | 47 1/4          |          | 47 1/4          |          |
| Height                              | 33 1/2               | 33 1/2          | 33 1/2          |         | 41 1/2          | 41 1/2          |          | 41 1/2          |          |
| <b>OPERATING WT. (lbs.)</b>         |                      |                 |                 |         |                 |                 |          |                 |          |
| Unit Weight (lbs.)                  | 378                  | 398             | 402             |         | 460             | 465             |          | 480             |          |
| <b>COMPRESSOR</b>                   |                      |                 |                 |         |                 |                 |          |                 |          |
| Type                                | Recip 1-spd          | Recip 1-spd     | Recip 1-spd     |         | Recip 1-spd     | Scroll 1-spd    |          | Scroll 1-spd    |          |
| <b>CONDENSER COIL DATA</b>          |                      |                 |                 |         |                 |                 |          |                 |          |
| Face area (Sq. Ft.)                 | 11.9                 | 11.9            | 11.9            |         | 15              | 15              |          | 15              |          |
| Rows                                | 1                    | 1               | 1               |         | 1               | 1               |          | 1               |          |
| Fins per inch                       | 23                   | 23              | 23              |         | 23              | 23              |          | 23              |          |
| Tube diameter (in.)                 | 0.71 / 18            | 0.71 / 18       | 0.71 / 18       |         | 0.71 / 18       | 0.71 / 18       |          | 0.71 / 18       |          |
| Circuitry Type                      | 2-pass Micro-Channel |                 |                 |         |                 |                 |          |                 |          |
| <b>EVAPORATOR COIL DATA</b>         |                      |                 |                 |         |                 |                 |          |                 |          |
| Face area (Sq. Ft.)                 | 3.4                  | 3.4             | 3.4             |         | 4.4             | 4.4             |          | 4.4             |          |
| Rows                                | 2                    | 3               | 3               |         | 3               | 3               |          | 4               |          |
| Fins per inch                       | 15                   | 13              | 13              |         | 16              | 16              |          | 13              |          |
| Tube diameter                       | 3/8                  | 3/8             | 3/8             |         | 3/8             | 3/8             |          | 3/8             |          |
| Circuitry Type                      | Interlaced           | Interlaced      | Interlaced      |         | Interlaced      | Interlaced      |          | Interlaced      |          |
| Refrigerant control                 | Orifice              | Orifice         | Orifice         |         | Orifice         | TXV             |          | TXV             |          |
| <b>CONDENSER FAN DATA</b>           |                      |                 |                 |         |                 |                 |          |                 |          |
| Fan diameter (Inch)                 | 22                   | 22              | 22              |         | 22              | 22              |          | 22              |          |
| Type                                | Prop                 | Prop            | Prop            |         | Prop            | Prop            |          | Prop            |          |
| Drive type                          | Direct               | Direct          | Direct          |         | Direct          | Direct          |          | Direct          |          |
| No. speeds                          | 1                    | 1               | 1               |         | 1               | 1               |          | 1               |          |
| Motor HP                            | 1/4                  | 1/4             | 1/4             |         | 1/3             | 1/3             |          | 1/2             |          |
| RPM                                 | 1100                 | 1100            | 1100            |         | 1100            | 1100            |          | 1090            |          |
| Nominal total CFM                   | 2400                 | 2400            | 2400            |         | 3200            | 3200            |          | 3200            |          |
| <b>DIRECT DRIVE EVAP FAN DATA</b>   |                      |                 |                 |         |                 |                 |          |                 |          |
| Fan Size (Inch)                     | 10 x 8               | 10 x 8          | 11 x 10         |         | 11 x 10         | 11 x 10         |          | 11 x 10         |          |
| Type                                | Centrifugal          | Centrifugal     | Centrifugal     |         | Centrifugal     | Centrifugal     |          | Centrifugal     |          |
| Motor HP                            | 1/2                  | 3/4             | 3/4             |         | 3/4             | 1               |          | 1               |          |
| RPM                                 | Variable             | Variable        | Variable        |         | Variable        | Variable        |          | Variable        |          |
| Frame size                          | 48                   | 48              | 48              |         | 48              | 48              |          | 48              |          |
| <b>FILTERS</b>                      |                      |                 |                 |         |                 |                 |          |                 |          |
| Quantity - Size                     | 1 - 20 x 20 x 1      | 1 - 20 x 20 x 1 | 1 - 20 x 20 x 1 |         | 2 - 20 x 12 x 1 | 2 - 20 x 12 x 1 |          | 2 - 20 x 12 x 1 |          |



## DNQ Single Stage Physical Data

| Component                           | Models               |       |                 |       |                 |       |                 |       |                 |       |                 |       |                 |       |       |
|-------------------------------------|----------------------|-------|-----------------|-------|-----------------|-------|-----------------|-------|-----------------|-------|-----------------|-------|-----------------|-------|-------|
|                                     | DNQ024               |       | DNQ030          |       | DNQ036          |       | DNQ042          |       | DNQ048          |       | DNQ060          |       |                 |       |       |
| Nominal Tonnage                     | 2.0                  |       | 2.5             |       | 3.0             |       | 3.5             |       | 4.0             |       | 5.0             |       |                 |       |       |
| <b>AHRI COOLING PERFORMANCE</b>     |                      |       |                 |       |                 |       |                 |       |                 |       |                 |       |                 |       |       |
| Gross Capacity @ AHRI A point (MBH) | 24.0                 |       | 29.8            |       | 35.7            |       | 41.5            |       | 49.6            |       | 56.8*           |       |                 |       |       |
| AHRI net capacity (MBH)             | 23.6                 |       | 29.0            |       | 34.4            |       | 40.0            |       | 48.0            |       | 55.0*           |       |                 |       |       |
| EER                                 | 12.0                 |       | 12.0            |       | 12.0            |       | 12.0            |       | 12.0            |       | 12.0*           |       |                 |       |       |
| SEER                                | 14.0                 |       | 14.0            |       | 14.0            |       | 14.0            |       | 14.0            |       | 14.0*           |       |                 |       |       |
| Nominal CFM                         | 800                  |       | 900             |       | 1100            |       | 1400            |       | 1500            |       | 1550            |       |                 |       |       |
| System power (KW)                   | 2.0                  |       | 2.4             |       | 2.9             |       | 3.3             |       | 4.0             |       | 4.6             |       |                 |       |       |
| Refrigerant type                    | R-410A               |       | R-410A          |       | R-410A          |       | R410A           |       | R-410A          |       | R-410A          |       |                 |       |       |
| Refrigerant charge (lb-oz)          | 3-8                  |       | 3-2             |       | 3-10            |       | 4-9             |       | 4-6             |       | 5-15            |       |                 |       |       |
| <b>AHRI HEATING PERFORMANCE</b>     |                      |       |                 |       |                 |       |                 |       |                 |       |                 |       |                 |       |       |
| Heating model                       | N036                 | N056  | N036            | N056  | N036            | N056  | N072            | N065  | N090            | N065  | N090            | N110  | N065            | N090  | N110  |
| Heat input (K Btu)                  | 45                   | 70    | 45              | 70    | 45              | 70    | 90              | 80    | 108             | 80    | 108             | 135   | 80              | 108   | 135   |
| Heat output (K Btu)                 | 36                   | 56    | 36              | 56    | 36              | 56    | 72              | 64    | 87              | 64    | 87              | 108   | 64              | 87    | 108   |
| AFUE %                              | 81.0                 | 81.0  | 81.0            | 81.0  | 81.0            | 81.0  | 81.0            | 81.0  | 81.0            | 81.0  | 81.0            | 81.0  | 81.0            | 81.0  | 81.0  |
| No. burners                         | 2                    | 3     | 2               | 3     | 2               | 3     | 4               | 3     | 4               | 3     | 4               | 5     | 3               | 4     | 5     |
| No. stages                          | 1                    | 1     | 1               | 1     | 1               | 1     | 1               | 1     | 1               | 1     | 1               | 1     | 1               | 1     | 1     |
| Temperature Rise Range (°F)         | 25-55                | 30-60 | 25-55           | 30-60 | 25-55           | 25-55 | 30-60           | 25-55 | 45-75           | 25-55 | 35-65           | 45-75 | 25-55           | 35-65 | 45-75 |
| Max. Outlet Air Temp. (°F)          | 165                  | 175   | 165             | 175   | 165             | 175   | 175             | 175   | 175             | 175   | 175             | 175   | 175             | 175   | 175   |
| Gas Limit Setting (°F)              | 140                  | 160   | 140             | 160   | 140             | 160   | 160             | 140   | 160             | 150   | 175             | 160   | 150             | 175   | 160   |
| Gas piping connection (in.)         | 1/2                  |       | 1/2             |       | 1/2             |       | 1/2             |       | 1/2             |       | 1/2             |       | 1/2             |       |       |
| <b>DIMENSIONS (inches)</b>          |                      |       |                 |       |                 |       |                 |       |                 |       |                 |       |                 |       |       |
| Length                              | 49 1/8               |       | 49 1/8          |       | 49 1/8          |       | 49 1/8          |       | 49 1/8          |       | 49 1/8          |       | 49 1/8          |       |       |
| Width                               | 47 1/4               |       | 47 1/4          |       | 47 1/4          |       | 47 1/4          |       | 47 1/4          |       | 47 1/4          |       | 47 1/4          |       |       |
| Height                              | 33 1/2               |       | 33 1/2          |       | 33 1/2          |       | 41 1/2          |       | 41 1/2          |       | 41 1/2          |       | 41 1/2          |       |       |
| <b>OPERATING WT. (lbs.)</b>         |                      |       |                 |       |                 |       |                 |       |                 |       |                 |       |                 |       |       |
| Unit Weight (lbs.)                  | 390                  |       | 425             |       | 430             |       | 485             |       | 490             |       | 530             |       | 530             |       |       |
| <b>COMPRESSOR</b>                   |                      |       |                 |       |                 |       |                 |       |                 |       |                 |       |                 |       |       |
| Type                                | Recip 1-spd          |       | Scroll 1-spd    |       | Scroll 1-spd    |       | Scroll 1-spd    |       | Scroll 1-spd    |       | Scroll 1-spd    |       | Scroll 1-spd    |       |       |
| <b>CONDENSER COIL DATA</b>          |                      |       |                 |       |                 |       |                 |       |                 |       |                 |       |                 |       |       |
| Face area (Sq. Ft.)                 | 7.9                  |       | 11.9            |       | 11.9            |       | 15              |       | 15              |       | 15              |       | 15              |       |       |
| Rows                                | 1                    |       | 1               |       | 1               |       | 1               |       | 1               |       | 1               |       | 1               |       |       |
| Fins per inch                       | 23                   |       | 23              |       | 23              |       | 23              |       | 23              |       | 23              |       | 23              |       |       |
| Tube diameter (in.)                 | 0.71 / 18            |       | 0.71 / 18       |       | 0.71 / 18       |       | 0.71 / 18       |       | 0.71 / 18       |       | 0.71 / 18       |       | 0.98 / 25       |       |       |
| Circuitry Type                      | 2-pass Micro-Channel |       |                 |       |                 |       |                 |       |                 |       |                 |       |                 |       |       |
| <b>EVAPORATOR COIL DATA</b>         |                      |       |                 |       |                 |       |                 |       |                 |       |                 |       |                 |       |       |
| Face area (Sq. Ft.)                 | 3.4                  |       | 3.4             |       | 3.4             |       | 4.4             |       | 4.4             |       | 4.4             |       | 4.4             |       |       |
| Rows                                | 2                    |       | 3               |       | 3               |       | 3               |       | 3               |       | 3               |       | 4               |       |       |
| Fins per inch                       | 15                   |       | 13              |       | 13              |       | 16              |       | 16              |       | 16              |       | 13              |       |       |
| Tube diameter                       | 3/8                  |       | 3/8             |       | 3/8             |       | 3/8             |       | 3/8             |       | 3/8             |       | 3/8             |       |       |
| Circuitry Type                      | Interlaced           |       | Interlaced      |       | Interlaced      |       | Interlaced      |       | Interlaced      |       | Interlaced      |       | Interlaced      |       |       |
| Refrigerant control                 | TXV                  |       | TXV             |       | TXV             |       | TXV             |       | TXV             |       | TXV             |       | TXV             |       |       |
| <b>CONDENSER FAN DATA</b>           |                      |       |                 |       |                 |       |                 |       |                 |       |                 |       |                 |       |       |
| Fan diameter (Inch)                 | 22                   |       | 22              |       | 22              |       | 22              |       | 22              |       | 22              |       | 22              |       |       |
| Type                                | Prop                 |       | Prop            |       | Prop            |       | Prop            |       | Prop            |       | Prop            |       | Prop            |       |       |
| Drive type                          | Direct               |       | Direct          |       | Direct          |       | Direct          |       | Direct          |       | Direct          |       | Direct          |       |       |
| No. speeds                          | 1                    |       | 1               |       | 1               |       | 1               |       | 1               |       | 1               |       | 1               |       |       |
| Motor HP                            | 1/4                  |       | 1/4             |       | 1/4             |       | 1/3             |       | 1/3             |       | 1/3             |       | 1/3             |       |       |
| RPM                                 | 1100                 |       | 1100            |       | 1100            |       | 1100            |       | 1100            |       | 1100            |       | 1100            |       |       |
| Nominal total CFM                   | 2400                 |       | 2400            |       | 2400            |       | 3200            |       | 3200            |       | 3200            |       | 3200            |       |       |
| <b>DIRECT DRIVE EVAP FAN DATA</b>   |                      |       |                 |       |                 |       |                 |       |                 |       |                 |       |                 |       |       |
| Fan Size (Inch)                     | 10 x 8               |       | 10 x 8          |       | 11 x 10         |       | 12 x 11         |       | 12 x 11         |       | 12 x 11         |       | 12 x 11         |       |       |
| Type                                | Centrifugal          |       | Centrifugal     |       | Centrifugal     |       | Centrifugal     |       | Centrifugal     |       | Centrifugal     |       | Centrifugal     |       |       |
| Motor HP                            | 1/2                  |       | 3/4             |       | 3/4             |       | 3/4             |       | 1               |       | 1               |       | 1               |       |       |
| RPM                                 | Variable             |       | Variable        |       | Variable        |       | Variable        |       | Variable        |       | Variable        |       | Variable        |       |       |
| Frame size                          | 48                   |       | 48              |       | 48              |       | 48              |       | 48              |       | 48              |       | 48              |       |       |
| <b>FILTERS</b>                      |                      |       |                 |       |                 |       |                 |       |                 |       |                 |       |                 |       |       |
| Quantity - Size                     | 1 - 20 x 20 x 1      |       | 1 - 20 x 20 x 1 |       | 1 - 20 x 20 x 1 |       | 2 - 20 x 12 x 1 |       | 2 - 20 x 12 x 1 |       | 2 - 20 x 12 x 1 |       | 2 - 20 x 12 x 1 |       |       |

## DNQ Two Stage Physical Data

| Component                           | Models               |                 |                 |                 |                 |                 |                 |                 |                 |  |
|-------------------------------------|----------------------|-----------------|-----------------|-----------------|-----------------|-----------------|-----------------|-----------------|-----------------|--|
|                                     | DNQ024               | DNQ030          | DNQ036          | DNQ042          | DNQ048          | DNQ060          |                 |                 |                 |  |
| Nominal Tonnage                     | 2.0                  | 2.5             | 3.0             | 3.5             | 4.0             | 5.0             |                 |                 |                 |  |
| <b>AHRI COOLING PERFORMANCE</b>     |                      |                 |                 |                 |                 |                 |                 |                 |                 |  |
| Gross Capacity @ AHRI A point (MBH) | 24.0                 | 29.8            | 35.7            | 41.5            | 49.6            | 56.8*           |                 |                 |                 |  |
| AHRI net capacity (MBH)             | 23.6                 | 29.0            | 34.4            | 40.0            | 48.0            | 55.0*           |                 |                 |                 |  |
| EER                                 | 12.0                 | 12.0            | 12.0            | 12.0            | 12.0            | 12.0*           |                 |                 |                 |  |
| SEER                                | 14.0                 | 14.0            | 14.0            | 14.0            | 14.0            | 14.0*           |                 |                 |                 |  |
| Nominal CFM                         | 800                  | 900             | 1100            | 1400            | 1500            | 1550            |                 |                 |                 |  |
| System power (KW)                   | 2.0                  | 2.4             | 2.9             | 3.3             | 4.0             | 4.6             |                 |                 |                 |  |
| Refrigerant type                    | R-410A               | R-410A          | R-410A          | R410A           | R-410A          | R-410A          |                 |                 |                 |  |
| Refrigerant charge (lb-oz)          | 3-8                  | 3-2             | 3-10            | 4-9             | 4-6             | 5-15            |                 |                 |                 |  |
| <b>AHRI HEATING PERFORMANCE</b>     |                      |                 |                 |                 |                 |                 |                 |                 |                 |  |
| Heating model                       | D056                 | D056            | D056            | D072            | D090            | D090            | D110            | D090            | D110            |  |
| Heat input (K Btu)                  | 70/45.5              | 70/45.5         | 70/45.5         | 90/58.5         | 108/70.2        | 108/70.2        | 135/87.8        | 108/70.2        | 135/87.8        |  |
| Heat output (K Btu)                 | 56/36.4              | 56/36.4         | 56/36.4         | 72/46.8         | 87/56.2         | 87/56.2         | 108/70.2        | 87/56.2         | 108/70.2        |  |
| AFUE %                              | 81.0                 | 81.0            | 81.0            | 81.0            | 81.0            | 81.0            | 81.0            | 81.0            | 81.0            |  |
| No. burners                         | 3                    | 3               | 3               | 4               | 4               | 4               | 5               | 4               | 5               |  |
| No. stages                          | 2                    | 2               | 2               | 2               | 2               | 2               | 2               | 2               | 2               |  |
| Temperature Rise Range (°F)         | 30-60                | 30-60           | 25-55           | 30-60           | 45-75           | 35-65           | 45-75           | 35-65           | 45-75           |  |
| Max. Outlet Air Temp. (°F)          | 175                  | 175             | 175             | 175             | 175             | 175             | 175             | 175             | 175             |  |
| Gas Limit Setting (°F)              | 160                  | 160             | 160             | 160             | 175             | 175             | 170             | 175             | 170             |  |
| Gas piping connection (in.)         | 1/2                  | 1/2             | 1/2             | 1/2             | 1/2             | 1/2             | 1/2             | 1/2             | 1/2             |  |
| <b>DIMENSIONS (inches)</b>          |                      |                 |                 |                 |                 |                 |                 |                 |                 |  |
| Length                              | 49 1/8               | 49 1/8          | 49 1/8          | 49 1/8          | 49 1/8          | 49 1/8          | 49 1/8          | 49 1/8          | 49 1/8          |  |
| Width                               | 47 1/4               | 47 1/4          | 47 1/4          | 47 1/4          | 47 1/4          | 47 1/4          | 47 1/4          | 47 1/4          | 47 1/4          |  |
| Height                              | 33 1/2               | 33 1/2          | 33 1/2          | 33 1/2          | 41 1/2          | 41 1/2          | 41 1/2          | 41 1/2          | 41 1/2          |  |
| <b>OPERATING WT. (lbs.)</b>         |                      |                 |                 |                 |                 |                 |                 |                 |                 |  |
| Unit Weight (lbs.)                  | 390                  | 425             | 430             | 485             | 490             | 490             | 530             | 530             | 530             |  |
| <b>COMPRESSOR</b>                   |                      |                 |                 |                 |                 |                 |                 |                 |                 |  |
| Type                                | Recip 1-spd          | Scroll 1-spd    | Scroll 1-spd    | Scroll 1-spd    | Scroll 1-spd    | Scroll 1-spd    | Scroll 1-spd    | Scroll 1-spd    | Scroll 1-spd    |  |
| <b>CONDENSER COIL DATA</b>          |                      |                 |                 |                 |                 |                 |                 |                 |                 |  |
| Face area (Sq. Ft.)                 | 7.9                  | 11.9            | 11.9            | 15              | 15              | 15              | 15              | 15              | 15              |  |
| Rows                                | 1                    | 1               | 1               | 1               | 1               | 1               | 1               | 1               | 1               |  |
| Fins per inch                       | 23                   | 23              | 23              | 23              | 23              | 23              | 23              | 23              | 23              |  |
| Tube diameter (in.)                 | 0.71 / 18            | 0.71 / 18       | 0.71 / 18       | 0.71 / 18       | 0.71 / 18       | 0.71 / 18       | 0.71 / 18       | 0.98 / 25       | 0.98 / 25       |  |
| Circuitry Type                      | 2-pass Micro-Channel |                 |                 |                 |                 |                 |                 |                 |                 |  |
| <b>EVAPORATOR COIL DATA</b>         |                      |                 |                 |                 |                 |                 |                 |                 |                 |  |
| Face area (Sq. Ft.)                 | 3.4                  | 3.4             | 3.4             | 4.4             | 4.4             | 4.4             | 4.4             | 4.4             | 4.4             |  |
| Rows                                | 2                    | 3               | 3               | 3               | 3               | 3               | 3               | 4               | 4               |  |
| Fins per inch                       | 15                   | 13              | 13              | 16              | 16              | 16              | 16              | 13              | 13              |  |
| Tube diameter                       | 3/8                  | 3/8             | 3/8             | 3/8             | 3/8             | 3/8             | 3/8             | 3/8             | 3/8             |  |
| Circuitry Type                      | Interlaced           | Interlaced      | Interlaced      | Interlaced      | Interlaced      | Interlaced      | Interlaced      | Interlaced      | Interlaced      |  |
| Refrigerant control                 | TXV                  | TXV             | TXV             | TXV             | TXV             | TXV             | TXV             | TXV             | TXV             |  |
| <b>CONDENSER FAN DATA</b>           |                      |                 |                 |                 |                 |                 |                 |                 |                 |  |
| Fan diameter (Inch)                 | 22                   | 22              | 22              | 22              | 22              | 22              | 22              | 22              | 22              |  |
| Type                                | Prop                 | Prop            | Prop            | Prop            | Prop            | Prop            | Prop            | Prop            | Prop            |  |
| Drive type                          | Direct               | Direct          | Direct          | Direct          | Direct          | Direct          | Direct          | Direct          | Direct          |  |
| No. speeds                          | 1                    | 1               | 1               | 1               | 1               | 1               | 1               | 1               | 1               |  |
| Motor HP                            | 1/4                  | 1/4             | 1/4             | 1/3             | 1/3             | 1/3             | 1/3             | 1/3             | 1/3             |  |
| RPM                                 | 1100                 | 1100            | 1100            | 1100            | 1100            | 1100            | 1100            | 1100            | 1100            |  |
| Nominal total CFM                   | 2400                 | 2400            | 2400            | 3200            | 3200            | 3200            | 3200            | 3200            | 3200            |  |
| <b>DIRECT DRIVE EVAP FAN DATA</b>   |                      |                 |                 |                 |                 |                 |                 |                 |                 |  |
| Fan Size (Inch)                     | 10 x 8               | 10 x 8          | 11 x 10         | 12 x 11         | 12 x 11         | 12 x 11         | 12 x 11         | 12 x 11         | 12 x 11         |  |
| Type                                | Centrifugal          | Centrifugal     | Centrifugal     | Centrifugal     | Centrifugal     | Centrifugal     | Centrifugal     | Centrifugal     | Centrifugal     |  |
| Motor HP                            | 1/2                  | 3/4             | 3/4             | 3/4             | 3/4             | 1               | 1               | 1               | 1               |  |
| RPM                                 | Variable             | Variable        | Variable        | Variable        | Variable        | Variable        | Variable        | Variable        | Variable        |  |
| Frame size                          | 48                   | 48              | 48              | 48              | 48              | 48              | 48              | 48              | 48              |  |
| <b>FILTERS</b>                      |                      |                 |                 |                 |                 |                 |                 |                 |                 |  |
| Quantity - Size                     | 1 - 20 x 20 x 1      | 1 - 20 x 20 x 1 | 1 - 20 x 20 x 1 | 2 - 20 x 12 x 1 | 2 - 20 x 12 x 1 | 2 - 20 x 12 x 1 | 2 - 20 x 12 x 1 | 2 - 20 x 12 x 1 | 2 - 20 x 12 x 1 |  |

## DNY Two Stage Physical Data

| Component                           | Models          |  |                 |  |                 |  |                 |  |
|-------------------------------------|-----------------|--|-----------------|--|-----------------|--|-----------------|--|
|                                     | DNY024          |  | DNY036          |  | DNY048          |  | DNY060          |  |
| Nominal Tonnage                     | 2.0             |  | 3.0             |  | 4.0             |  | 5.0             |  |
| <b>AHRI COOLING PERFORMANCE</b>     |                 |  |                 |  |                 |  |                 |  |
| Gross Capacity @ AHRI A point (MBH) | 24.3            |  | 35.6            |  | 50.0            |  | 59.6            |  |
| AHRI net capacity (MBH)             | 23.8            |  | 34.6            |  | 48.0            |  | 56.5            |  |
| EER                                 | 11.1            |  | 11.0            |  | 11.0            |  | 10.6            |  |
| SEER                                | 14.0            |  | 14.0            |  | 14.0            |  | 13.7            |  |
| Nominal CFM                         | 800             |  | 1200            |  | 1550            |  | 1650            |  |
| System power (KW)                   | 2.1             |  | 3.1             |  | 4.4             |  | 5.4             |  |
| Refrigerant type                    | R-410A          |  | R-410A          |  | R-410A          |  | R-410A          |  |
| Refrigerant charge (lb-oz)          | 5-0             |  | 7-8             |  | 9-8             |  | 10-0            |  |
| <b>AHRI HEATING PERFORMANCE</b>     |                 |  |                 |  |                 |  |                 |  |
| Heating model                       | D056            |  | D056            |  | D072            |  | D090            |  |
| Heat input (K Btu)                  | 70/45.5         |  | 70/45.5         |  | 90/58.5         |  | 108/70.2        |  |
| Heat output (K Btu)                 | 56/36.4         |  | 56/36.4         |  | 72/46.8         |  | 87/56.2         |  |
| AFUE %                              | 81.0            |  | 81.0            |  | 81.0            |  | 81.0            |  |
| No. burners                         | 3               |  | 3               |  | 4               |  | 4               |  |
| No. stages                          | 2               |  | 2               |  | 2               |  | 2               |  |
| Temperature Rise Range (°F)         | 30-60           |  | 25-55           |  | 30-60           |  | 35-65           |  |
| Max. Outlet Air Temp. (°F)          | 175             |  | 175             |  | 175             |  | 175             |  |
| Gas Limit Setting (°F)              | 160             |  | 160             |  | 150             |  | 170             |  |
| Gas piping connection (in.)         | 1/2             |  | 1/2             |  | 1/2             |  | 1/2             |  |
| <b>DIMENSIONS (inches)</b>          |                 |  |                 |  |                 |  |                 |  |
| Length                              | 49 1/8          |  | 49 1/8          |  | 49 1/8          |  | 49 1/8          |  |
| Width                               | 47 1/4          |  | 47 1/4          |  | 47 1/4          |  | 47 1/4          |  |
| Height                              | 33 1/2          |  | 33 1/2          |  | 41 1/2          |  | 41 1/2          |  |
| <b>OPERATING WT. (lbs.)</b>         |                 |  |                 |  |                 |  |                 |  |
| Unit Weight (lbs.)                  | 400             |  | 440             |  | 500             |  | 540             |  |
| <b>COMPRESSOR</b>                   |                 |  |                 |  |                 |  |                 |  |
| Type                                | Scroll 2-spd    |  | Scroll 2-spd    |  | Scroll 2-spd    |  | Scroll 2-spd    |  |
| <b>CONDENSER COIL DATA</b>          |                 |  |                 |  |                 |  |                 |  |
| Face area (Sq. Ft.)                 | 11.7            |  | 11.7            |  | 14.7            |  | 14.7            |  |
| Rows                                | 1               |  | 2               |  | 2               |  | 2               |  |
| Fins per inch                       | 20              |  | 16              |  | 20              |  | 20              |  |
| Tube diameter (in.)                 | 3/8             |  | 3/8             |  | 3/8             |  | 3/8             |  |
| Circuitry Type                      | Interlaced      |  | Interlaced      |  | Interlaced      |  | Interlaced      |  |
| <b>EVAPORATOR COIL DATA</b>         |                 |  |                 |  |                 |  |                 |  |
| Face area (Sq. Ft.)                 | 3.4             |  | 3.4             |  | 4.4             |  | 4.4             |  |
| Rows                                | 2               |  | 3               |  | 3               |  | 3               |  |
| Fins per inch                       | 15              |  | 13              |  | 16              |  | 16              |  |
| Tube diameter                       | 3/8             |  | 3/8             |  | 3/8             |  | 3/8             |  |
| Circuitry Type                      | Interlaced      |  | Interlaced      |  | Interlaced      |  | Interlaced      |  |
| Refrigerant control                 | TXV             |  | TXV             |  | TXV             |  | TXV             |  |
| <b>CONDENSER FAN DATA</b>           |                 |  |                 |  |                 |  |                 |  |
| Fan diameter (Inch)                 | 22              |  | 22              |  | 22              |  | 22              |  |
| Type                                | Prop            |  | Prop            |  | Prop            |  | Prop            |  |
| Drive type                          | Direct          |  | Direct          |  | Direct          |  | Direct          |  |
| No. speeds                          | 1               |  | 1               |  | 1               |  | 2               |  |
| Motor HP                            | 1/4             |  | 1/4             |  | 1/3             |  | 1/3             |  |
| RPM                                 | 1100            |  | 1100            |  | 1100            |  | 850/1100        |  |
| Nominal total CFM                   | 2400            |  | 2400            |  | 3000            |  | 3000            |  |
| <b>DIRECT DRIVE EVAP FAN DATA</b>   |                 |  |                 |  |                 |  |                 |  |
| Fan Size (Inch)                     | 10 x 8          |  | 11 x 10         |  | 11 x 10         |  | 11 x 10         |  |
| Type                                | Centrifugal     |  | Centrifugal     |  | Centrifugal     |  | Centrifugal     |  |
| Motor HP                            | 1/2             |  | 3/4             |  | 1               |  | 1               |  |
| RPM                                 | Variable        |  | Variable        |  | Variable        |  | Variable        |  |
| Frame size                          | 48              |  | 48              |  | 48              |  | 48              |  |
| <b>FILTERS</b>                      |                 |  |                 |  |                 |  |                 |  |
| Quantity - Size                     | 1 - 20 x 20 x 1 |  | 1 - 20 x 20 x 1 |  | 2 - 20 x 12 x 1 |  | 2 - 20 x 12 x 1 |  |

## DNX Single Stage Gas Heat

| Component                           | Models          |       |                 |       |                 |       |       |
|-------------------------------------|-----------------|-------|-----------------|-------|-----------------|-------|-------|
|                                     | DNX024          |       | DNX036          |       | DNX048          |       |       |
| Nominal Tonnage                     | 2.0             |       | 3.0             |       | 4.0             |       |       |
| <b>AHRI COOLING PERFORMANCE</b>     |                 |       |                 |       |                 |       |       |
| Gross Capacity @ AHRI A point (MBH) | 24.6            |       | 38.4            |       | 50.0            |       |       |
| AHRI net capacity (MBH)             | 24.0            |       | 37.0            |       | 48.0            |       |       |
| EER                                 | 11.5            |       | 12.3            |       | 11.2            |       |       |
| SEER                                | 15.0            |       | 16.5            |       | 15.0            |       |       |
| Nominal CFM                         | 800             |       | 1275            |       | 1550            |       |       |
| System power (KW)                   | 2.1             |       | 3.0             |       | 4.3             |       |       |
| Refrigerant type                    | R-410A          |       | R-410A          |       | R-410A          |       |       |
| Refrigerant charge (lb-oz)          | 7-8             |       | 9-12            |       | 9-8             |       |       |
| <b>AHRI HEATING PERFORMANCE</b>     |                 |       |                 |       |                 |       |       |
| Heating model                       | N036            | N056  | N065            | N090  | N065            | N090  | N110  |
| Heat input (K Btu)                  | 45              | 70    | 80              | 108   | 80              | 108   | 135   |
| Heat output (K Btu)                 | 36              | 56    | 64              | 87    | 64              | 87    | 108   |
| AFUE %                              | 81.0            | 81.0  | 81.0            | 81.0  | 81.0            | 81.0  | 81.0  |
| No. burners                         | 2               | 3     | 3               | 4     | 3               | 4     | 5     |
| No. stages                          | 1               | 1     | 1               | 1     | 1               | 1     | 1     |
| Temperature Rise Range (°F)         | 25-55           | 30-60 | 25-55           | 45-75 | 25-55           | 35-65 | 45-75 |
| Max. Outlet Air Temp. (°F)          | 165             | 175   | 165             | 175   | 165             | 175   | 175   |
| Gas Limit Setting (°F)              | 140             | 160   | 140             | 160   | 150             | 170   | 160   |
| Gas piping connection (in.)         | 1/2             |       | 1/2             |       | 1/2             |       |       |
| <b>DIMENSIONS (inches)</b>          |                 |       |                 |       |                 |       |       |
| Length                              | 49 1/8          |       | 49 1/8          |       | 49 1/8          |       |       |
| Width                               | 47 1/4          |       | 47 1/4          |       | 47 1/4          |       |       |
| Height                              | 33 1/2          |       | 41 1/2          |       | 41 1/2          |       |       |
| <b>OPERATING WT. (lbs.)</b>         |                 |       |                 |       |                 |       |       |
| Unit Weight (lbs.)                  | 440             |       | 480             |       | 500             |       |       |
| <b>COMPRESSOR</b>                   |                 |       |                 |       |                 |       |       |
| Type                                | Scroll 2-spd    |       | Scroll 2-spd    |       | Scroll 2-spd    |       |       |
| <b>CONDENSER COIL DATA</b>          |                 |       |                 |       |                 |       |       |
| Face area (Sq. Ft.)                 | 11.7            |       | 14.7            |       | 14.7            |       |       |
| Rows                                | 2               |       | 2               |       | 2               |       |       |
| Fins per inch                       | 20              |       | 20              |       | 20              |       |       |
| Tube diameter (in.)                 | 3/8             |       | 3/8             |       | 3/8             |       |       |
| Circuitry Type                      | Interlaced      |       | Interlaced      |       | Interlaced      |       |       |
| <b>EVAPORATOR COIL DATA</b>         |                 |       |                 |       |                 |       |       |
| Face area (Sq. Ft.)                 | 3.4             |       | 4.4             |       | 4.4             |       |       |
| Rows                                | 2               |       | 3               |       | 3               |       |       |
| Fins per inch                       | 15              |       | 16              |       | 16              |       |       |
| Tube diameter                       | 3/8             |       | 3/8             |       | 3/8             |       |       |
| Circuitry Type                      | Interlaced      |       | Interlaced      |       | Interlaced      |       |       |
| Refrigerant control                 | TXV             |       | TXV             |       | TXV             |       |       |
| <b>CONDENSER FAN DATA</b>           |                 |       |                 |       |                 |       |       |
| Fan diameter (Inch)                 | 22              |       | 22              |       | 22              |       |       |
| Type                                | Prop            |       | Prop            |       | Prop            |       |       |
| Drive type                          | Direct          |       | Direct          |       | Direct          |       |       |
| No. speeds                          | 1               |       | 2               |       | 2               |       |       |
| Motor HP                            | 1/4             |       | 1/3             |       | 1/3             |       |       |
| RPM                                 | 1100            |       | 900/1100        |       | 900/1100        |       |       |
| Nominal total CFM                   | 2400            |       | 2400            |       | 3000            |       |       |
| <b>DIRECT DRIVE EVAP FAN DATA</b>   |                 |       |                 |       |                 |       |       |
| Fan Size (Inch)                     | 10 x 8          |       | 11 x 10         |       | 11 x 10         |       |       |
| Type                                | Centrifugal     |       | Centrifugal     |       | Centrifugal     |       |       |
| Motor HP                            | 1/2             |       | 1               |       | 1               |       |       |
| RPM                                 | Variable        |       | Variable        |       | Variable        |       |       |
| Frame size                          | 48              |       | 48              |       | 48              |       |       |
| <b>FILTERS</b>                      |                 |       |                 |       |                 |       |       |
| Quantity - Size                     | 1 - 20 x 20 x 1 |       | 2 - 20 x 12 x 1 |       | 2 - 20 x 12 x 1 |       |       |

## DNX Two Stage Gas Heat

| Component                           | Models          |                 |                 |          |
|-------------------------------------|-----------------|-----------------|-----------------|----------|
|                                     | DNX024          | DNX036          | DNX048          |          |
| Nominal Tonnage                     | 2.0             | 3.0             | 4.0             |          |
| <b>AHRI COOLING PERFORMANCE</b>     |                 |                 |                 |          |
| Gross Capacity @ AHRI A point (MBH) | 24.6            | 38.4            | 50.0            |          |
| AHRI net capacity (MBH)             | 24.0            | 37.0            | 48.0            |          |
| EER                                 | 11.5            | 12.3            | 11.2            |          |
| SEER                                | 15.0            | 16.5            | 15.0            |          |
| Nominal CFM                         | 800             | 1275            | 1550            |          |
| System power (KW)                   | 2.1             | 3.0             | 4.3             |          |
| Refrigerant type                    | R-410A          | R-410A          | R-410A          |          |
| Refrigerant charge (lb-oz)          | 7-8             | 9-12            | 9-8             |          |
| <b>AHRI HEATING PERFORMANCE</b>     |                 |                 |                 |          |
| Heating model                       | D056            | D090            | D090            | D110     |
| Heat input (K Btu)                  | 70/45.5         | 108/70.2        | 108/70.2        | 135/87.8 |
| Heat output (K Btu)                 | 56/36.4         | 87/56.2         | 87/56.2         | 108/70.2 |
| AFUE %                              | 81.0            | 81.0            | 81.0            | 81.0     |
| No. burners                         | 3               | 4               | 4               | 5        |
| No. stages                          | 2               | 2               | 2               | 2        |
| Temperature Rise Range (°F)         | 30-60           | 45-75           | 35-65           | 45-75    |
| Max. Outlet Air Temp (°F)           | 175             | 175             | 175             | 175      |
| Gas Limit Setting (°F)              | 160             | 175             | 170             | 160      |
| Gas piping connection (in.)         | 1/2             | 1/2             | 1/2             |          |
| <b>DIMENSIONS (inches)</b>          |                 |                 |                 |          |
| Length                              | 49 1/8          | 49 1/8          | 49 1/8          |          |
| Width                               | 47 1/4          | 47 1/4          | 47 1/4          |          |
| Height                              | 33 1/2          | 41 1/2          | 41 1/2          |          |
| <b>OPERATING WT. (lbs.)</b>         |                 |                 |                 |          |
| Unit Weight (lbs.)                  | 440             | 480             | 500             |          |
| <b>COMPRESSOR</b>                   |                 |                 |                 |          |
| Type                                | Scroll 2-spd    | Scroll 2-spd    | Scroll 2-spd    |          |
| <b>CONDENSER COIL DATA</b>          |                 |                 |                 |          |
| Face area (Sq. Ft.)                 | 11.7            | 14.7            | 14.7            |          |
| Rows                                | 2               | 2               | 2               |          |
| Fins per inch                       | 20              | 20              | 20              |          |
| Tube diameter (in.)                 | 3/8             | 3/8             | 3/8             |          |
| Circuitry Type                      | Interlaced      | Interlaced      | Interlaced      |          |
| <b>EVAPORATOR COIL DATA</b>         |                 |                 |                 |          |
| Face area (Sq. Ft.)                 | 3.4             | 4.4             | 4.4             |          |
| Rows                                | 2               | 3               | 3               |          |
| Fins per inch                       | 15              | 16              | 16              |          |
| Tube diameter                       | 3/8             | 3/8             | 3/8             |          |
| Circuitry Type                      | Interlaced      | Interlaced      | Interlaced      |          |
| Refrigerant control                 | TXV             | TXV             | TXV             |          |
| <b>CONDENSER FAN DATA</b>           |                 |                 |                 |          |
| Fan diameter (Inch)                 | 22              | 22              | 22              |          |
| Type                                | Prop            | Prop            | Prop            |          |
| Drive type                          | Direct          | Direct          | Direct          |          |
| No. speeds                          | 1               | 2               | 1               |          |
| Motor HP                            | 1/4             | 1/3             | 1/3             |          |
| RPM                                 | 1100            | 900/1100        | 900/1100        |          |
| Nominal total CFM                   | 2400            | 2400            | 3000            |          |
| <b>DIRECT DRIVE EVAP FAN DATA</b>   |                 |                 |                 |          |
| Fan Size (Inch)                     | 10 x 8          | 11 x 10         | 11 x 10         |          |
| Type                                | Centrifugal     | Centrifugal     | Centrifugal     |          |
| Motor HP                            | 1/2             | 1               | 1               |          |
| RPM                                 | Variable        | Variable        | Variable        |          |
| Frame size                          | 48              | 48              | 48              |          |
| <b>FILTERS</b>                      |                 |                 |                 |          |
| Quantity - Size                     | 1 - 20 x 20 x 1 | 2 - 20 x 12 x 1 | 2 - 20 x 12 x 1 |          |

**DNZ Unit Limitations**

| Model<br>(Tons) | Unit Voltage | Unit Limitations |     |                 |
|-----------------|--------------|------------------|-----|-----------------|
|                 |              | Applied Voltage  |     | Outdoor DB Temp |
|                 |              | Min              | Max | Max (°F)        |
| DNZ024<br>(2.0) | 208/230-1-60 | 187              | 252 | 125             |
| DNZ030<br>(2.5) | 208/230-1-60 | 187              | 252 | 125             |
|                 | 208/230-3-60 | 187              | 252 | 125             |
|                 | 460-3-60     | 432              | 504 | 125             |
| DNZ036<br>(3.0) | 208/230-1-60 | 187              | 252 | 125             |
|                 | 208/230-3-60 | 187              | 252 | 125             |
|                 | 460-3-60     | 432              | 504 | 125             |
| DNZ042<br>(3.5) | 208/230-1-60 | 187              | 252 | 125             |
|                 | 208/230-3-60 | 187              | 252 | 125             |
|                 | 460-3-60     | 432              | 504 | 125             |
| DNZ048<br>(4.0) | 208/230-1-60 | 187              | 252 | 115             |
|                 | 208/230-3-60 | 187              | 252 | 115             |
|                 | 460-3-60     | 432              | 504 | 115             |
| DNZ060<br>(5.0) | 208/230-1-60 | 187              | 252 | 115             |
|                 | 208/230-3-60 | 187              | 252 | 115             |
|                 | 460-3-60     | 432              | 504 | 115             |

**DNQ Unit Limitations**

| Model<br>(Tons) | Unit Voltage | Unit Limitations |     |                 |
|-----------------|--------------|------------------|-----|-----------------|
|                 |              | Applied Voltage  |     | Outdoor DB Temp |
|                 |              | Min              | Max | Max (°F)        |
| DNQ024<br>(2.0) | 208/230-1-60 | 187              | 252 | 125             |
| DNQ030<br>(2.5) | 208/230-1-60 | 187              | 252 | 115             |
|                 | 208/230-3-60 | 187              | 252 | 115             |
|                 | 460-3-60     | 432              | 504 | 115             |
| DNQ036<br>(3.0) | 208/230-1-60 | 187              | 252 | 115             |
|                 | 208/230-3-60 | 187              | 252 | 115             |
|                 | 460-3-60     | 432              | 504 | 115             |
| DNQ042<br>(3.5) | 208/230-1-60 | 187              | 252 | 125             |
|                 | 208/230-3-60 | 187              | 252 | 125             |
|                 | 460-3-60     | 432              | 504 | 125             |
| DNQ048<br>(4.0) | 208/230-1-60 | 187              | 252 | 115             |
|                 | 208/230-3-60 | 187              | 252 | 115             |
|                 | 460-3-60     | 432              | 504 | 115             |
| DNQ060<br>(5.0) | 208/230-1-60 | 187              | 252 | 125             |
|                 | 208/230-3-60 | 187              | 252 | 125             |
|                 | 460-3-60     | 432              | 504 | 125             |

**DNY Unit Limitations**

| Model<br>(Tons) | Unit Voltage | Unit Limitations |     |                 |
|-----------------|--------------|------------------|-----|-----------------|
|                 |              | Applied Voltage  |     | Outdoor DB Temp |
|                 |              | Min              | Max | Max (°F)        |
| DNY024<br>(2.0) | 208/230-1-60 | 187              | 252 | 115             |
| DNY036<br>(3.0) | 208/230-1-60 | 187              | 252 | 115             |
|                 | 208/230-3-60 | 187              | 252 | 115             |
| DNY048<br>(4.0) | 208/230-1-60 | 187              | 252 | 115             |
|                 | 208/230-3-60 | 187              | 252 | 115             |
| DNY060<br>(5.0) | 208/230-1-60 | 187              | 252 | 115             |
|                 | 208/230-3-60 | 187              | 252 | 115             |

**DNX Unit Limitations**

| Model<br>(Tons) | Unit Voltage | Unit Limitations |     |                 |
|-----------------|--------------|------------------|-----|-----------------|
|                 |              | Applied Voltage  |     | Outdoor DB Temp |
|                 |              | Min              | Max | Max (°F)        |
| DNX024<br>(2.0) | 208/230-1-60 | 187              | 252 | 115             |
| DNX036<br>(3.0) | 208/230-1-60 | 187              | 252 | 115             |
|                 | 208/230-3-60 | 187              | 252 | 115             |
|                 | 460-3-60     | 432              | 504 | 115             |
| DNX048<br>(4.0) | 208/230-1-60 | 187              | 252 | 115             |
|                 | 208/230-3-60 | 187              | 252 | 115             |
|                 | 460-3-60     | 432              | 504 | 115             |

# Capacity Performance

## DNZ024-060 Cooling Capacities

### DNZ024 (2.0 Ton)

| Air on Evaporator Coil |         | Temperature of Air on Condenser Coil |                               |                         |      |      |      |      |      |                                 |                               |                         |      |      |      |      |      |
|------------------------|---------|--------------------------------------|-------------------------------|-------------------------|------|------|------|------|------|---------------------------------|-------------------------------|-------------------------|------|------|------|------|------|
| CFM                    | WB (°F) | Net Capacity <sup>1</sup> (MBh)      | Total Input (kW) <sup>2</sup> | Sensible Capacity (MBh) |      |      |      |      |      | Net Capacity <sup>1</sup> (MBh) | Total Input (kW) <sup>2</sup> | Sensible Capacity (MBh) |      |      |      |      |      |
|                        |         |                                      |                               | Return Dry Bulb (°F)    |      |      |      |      |      |                                 |                               | Return Dry Bulb (°F)    |      |      |      |      |      |
|                        |         |                                      |                               | 90                      | 85   | 80   | 75   | 70   | 65   |                                 |                               | 90                      | 85   | 80   | 75   | 70   | 65   |
|                        |         |                                      |                               | <b>75°F</b>             |      |      |      |      |      | <b>85°F</b>                     |                               |                         |      |      |      |      |      |
| 500                    | 77      | 29.9                                 | 1.6                           | 4.7                     | 4.0  | 2.1  | -    | -    | -    | 26.9                            | 1.8                           | 9.1                     | 7.4  | 5.3  | -    | -    | -    |
|                        | 72      | 28.3                                 | 1.6                           | 11.7                    | 9.7  | 7.7  | 5.8  | -    | -    | 25.4                            | 1.8                           | 13.6                    | 11.6 | 9.5  | 7.5  | -    | -    |
|                        | 67      | 26.6                                 | 1.6                           | 17.9                    | 15.4 | 13.4 | 11.4 | 9.5  | -    | 23.8                            | 1.7                           | 18.0                    | 15.7 | 13.7 | 11.7 | 9.7  | -    |
|                        | 62      | 25.0                                 | 1.6                           | 23.8                    | 16.8 | 12.3 | 10.3 | 8.3  | 6.3  | 21.7                            | 1.7                           | 21.1                    | 17.6 | 14.8 | 12.8 | 10.8 | 8.7  |
| 600                    | 77      | 30.2                                 | 1.6                           | 7.8                     | 5.5  | 3.2  | -    | -    | -    | 27.7                            | 1.8                           | 10.9                    | 8.6  | 6.2  | -    | -    | -    |
|                        | 72      | 28.5                                 | 1.6                           | 14.7                    | 12.4 | 10.1 | 7.9  | -    | -    | 26.1                            | 1.8                           | 15.8                    | 13.5 | 11.2 | 8.8  | -    | -    |
|                        | 67      | 26.9                                 | 1.6                           | 21.6                    | 19.3 | 17.0 | 14.8 | 12.5 | -    | 24.6                            | 1.8                           | 20.7                    | 18.4 | 16.1 | 13.7 | 11.4 | -    |
|                        | 62      | 25.3                                 | 1.6                           | 24.5                    | 19.9 | 16.0 | 13.8 | 11.5 | 9.2  | 22.4                            | 1.7                           | 22.0                    | 19.7 | 17.4 | 15.0 | 12.7 | 10.4 |
|                        | 57      | 26.4                                 | 1.6                           | 26.4                    | 22.0 | 18.2 | 15.9 | 13.7 | 11.4 | 23.7                            | 1.7                           | 23.7                    | 21.5 | 19.2 | 16.8 | 14.5 | 12.2 |
| 700                    | 77      | 30.5                                 | 1.6                           | 10.8                    | 7.0  | 4.4  | -    | -    | -    | 28.5                            | 1.8                           | 12.6                    | 9.8  | 7.2  | -    | -    | -    |
|                        | 72      | 28.8                                 | 1.6                           | 17.6                    | 15.1 | 12.5 | 10.0 | -    | -    | 26.9                            | 1.8                           | 18.0                    | 15.4 | 12.8 | 10.2 | -    | -    |
|                        | 67      | 27.2                                 | 1.6                           | 25.2                    | 23.2 | 20.7 | 18.1 | 15.6 | -    | 25.3                            | 1.8                           | 23.3                    | 21.0 | 18.4 | 15.8 | 13.2 | -    |
|                        | 62      | 25.6                                 | 1.6                           | 25.2                    | 22.9 | 19.8 | 17.2 | 14.7 | 12.1 | 23.1                            | 1.7                           | 22.9                    | 21.7 | 19.9 | 17.3 | 14.7 | 12.1 |
|                        | 57      | 26.7                                 | 1.6                           | 26.7                    | 24.5 | 22.4 | 19.8 | 17.3 | 14.7 | 24.4                            | 1.7                           | 24.4                    | 23.3 | 21.9 | 19.3 | 16.7 | 14.1 |
| 800                    | 77      | 30.8                                 | 1.6                           | 13.8                    | 8.4  | 5.6  | -    | -    | -    | 29.3                            | 1.8                           | 14.4                    | 11.0 | 8.1  | -    | -    | -    |
|                        | 72      | 29.1                                 | 1.6                           | 20.6                    | 17.8 | 14.9 | 12.1 | -    | -    | 27.7                            | 1.8                           | 20.2                    | 17.3 | 14.4 | 11.5 | -    | -    |
|                        | 67      | 27.4                                 | 1.6                           | 27.4                    | 27.1 | 24.3 | 21.5 | 18.6 | -    | 26.0                            | 1.8                           | 26.0                    | 23.6 | 20.8 | 17.9 | 15.0 | -    |
|                        | 62      | 25.9                                 | 1.6                           | 25.9                    | 25.9 | 23.5 | 20.7 | 17.9 | 15.0 | 23.7                            | 1.7                           | 23.7                    | 23.7 | 22.4 | 19.5 | 16.6 | 13.7 |
|                        | 57      | 27.0                                 | 1.6                           | 27.0                    | 27.0 | 26.6 | 23.7 | 20.9 | 18.1 | 25.1                            | 1.8                           | 25.1                    | 25.1 | 24.7 | 21.8 | 19.0 | 16.1 |
| 900                    | 72      | 30.0                                 | 1.6                           | 20.4                    | 17.1 | 13.8 | 10.5 | -    | -    | 28.0                            | 1.8                           | 20.9                    | 17.7 | 14.4 | 11.2 | -    | -    |
|                        | 67      | 28.2                                 | 1.6                           | 28.2                    | 26.2 | 22.9 | 19.5 | 16.2 | -    | 26.4                            | 1.8                           | 26.4                    | 24.0 | 20.8 | 17.5 | 14.2 | -    |
|                        | 62      | 26.6                                 | 1.6                           | 26.6                    | 26.6 | 23.5 | 20.2 | 16.9 | 13.6 | 24.0                            | 1.7                           | 24.0                    | 24.0 | 22.4 | 19.2 | 15.9 | 12.7 |
|                        | 57      | 27.8                                 | 1.6                           | 27.8                    | 27.8 | 26.5 | 23.2 | 19.9 | 16.6 | 25.4                            | 1.8                           | 25.4                    | 25.4 | 24.7 | 21.5 | 18.2 | 15.0 |
| 1000                   | 72      | 30.8                                 | 1.6                           | 20.1                    | 16.4 | 12.6 | 8.8  | -    | -    | 28.4                            | 1.8                           | 21.6                    | 18.0 | 14.4 | 10.8 | -    | -    |
|                        | 67      | 29.0                                 | 1.6                           | 29.0                    | 25.2 | 21.4 | 17.6 | 13.9 | -    | 26.7                            | 1.8                           | 26.7                    | 24.4 | 20.8 | 17.1 | 13.5 | -    |
|                        | 62      | 27.3                                 | 1.6                           | 27.3                    | 27.3 | 23.4 | 19.6 | 15.9 | 12.1 | 24.4                            | 1.7                           | 24.4                    | 24.4 | 22.4 | 18.8 | 15.2 | 11.6 |
|                        | 57      | 28.5                                 | 1.6                           | 28.5                    | 28.5 | 26.4 | 22.7 | 18.9 | 15.1 | 25.8                            | 1.8                           | 25.8                    | 25.8 | 24.7 | 21.1 | 17.5 | 13.9 |



## DNZ024 (2.0 Ton) (Continued)

| Air on Evaporator Coil |         | Temperature of Air on Condenser Coil |                               |                         |      |      |      |      |      |                                 |                               |                         |      |      |      |      |      |
|------------------------|---------|--------------------------------------|-------------------------------|-------------------------|------|------|------|------|------|---------------------------------|-------------------------------|-------------------------|------|------|------|------|------|
| CFM                    | WB (°F) | Net Capacity <sup>1</sup> (MBh)      | Total Input (kW) <sup>2</sup> | Sensible Capacity (MBh) |      |      |      |      |      | Net Capacity <sup>1</sup> (MBh) | Total Input (kW) <sup>2</sup> | Sensible Capacity (MBh) |      |      |      |      |      |
|                        |         |                                      |                               | Return Dry Bulb (°F)    |      |      |      |      |      |                                 |                               | Return Dry Bulb (°F)    |      |      |      |      |      |
|                        |         |                                      |                               | 90                      | 85   | 80   | 75   | 70   | 65   |                                 |                               | 90                      | 85   | 80   | 75   | 70   | 65   |
|                        |         |                                      |                               | 95°F                    |      |      |      |      |      | 105°F                           |                               |                         |      |      |      |      |      |
| 500                    | 77      | 23.9                                 | 2.0                           | 12.8                    | 10.7 | 8.6  | -    | -    | -    | 22.8                            | 2.1                           | 11.4                    | 9.3  | 7.4  | -    | -    | -    |
|                        | 72      | 22.5                                 | 1.9                           | 15.5                    | 13.4 | 11.3 | 9.2  | -    | -    | 20.8                            | 2.1                           | 14.3                    | 12.2 | 10.2 | 8.1  | -    | -    |
|                        | 67      | 21.1                                 | 1.9                           | 18.2                    | 16.1 | 14.0 | 11.9 | 9.9  | -    | 18.7                            | 2.0                           | 17.3                    | 15.2 | 12.9 | 10.8 | 8.7  | -    |
|                        | 62      | 18.5                                 | 1.9                           | 18.5                    | 18.5 | 17.4 | 15.3 | 13.2 | 11.1 | 17.0                            | 2.0                           | 17.0                    | 17.0 | 15.1 | 13.0 | 11.0 | 8.9  |
| 600                    | 77      | 25.2                                 | 2.0                           | 14.0                    | 11.6 | 9.3  | -    | -    | -    | 24.0                            | 2.1                           | 13.5                    | 10.5 | 8.1  | -    | -    | -    |
|                        | 72      | 23.7                                 | 1.9                           | 16.9                    | 14.5 | 12.2 | 9.8  | -    | -    | 21.8                            | 2.1                           | 16.0                    | 13.5 | 11.1 | 8.7  | -    | -    |
|                        | 67      | 22.3                                 | 1.9                           | 19.8                    | 17.5 | 15.1 | 12.7 | 10.3 | -    | 19.7                            | 2.0                           | 18.4                    | 16.5 | 14.1 | 11.7 | 9.3  | -    |
|                        | 62      | 19.5                                 | 1.9                           | 19.5                    | 19.5 | 18.7 | 16.3 | 13.9 | 11.6 | 17.8                            | 2.0                           | 17.8                    | 17.8 | 16.6 | 14.1 | 11.7 | 9.3  |
|                        | 57      | 21.0                                 | 1.9                           | 21.0                    | 21.0 | 20.1 | 17.7 | 15.4 | 13.0 | 19.1                            | 2.0                           | 19.1                    | 19.1 | 17.7 | 15.2 | 12.8 | 10.4 |
| 700                    | 77      | 26.5                                 | 2.0                           | 15.2                    | 12.6 | 9.9  | -    | -    | -    | 25.1                            | 2.1                           | 15.6                    | 11.8 | 8.8  | -    | -    | -    |
|                        | 72      | 24.9                                 | 1.9                           | 18.3                    | 15.7 | 13.0 | 10.4 | -    | -    | 22.9                            | 2.1                           | 17.6                    | 14.8 | 12.1 | 9.4  | -    | -    |
|                        | 67      | 23.4                                 | 1.9                           | 21.5                    | 18.8 | 16.1 | 13.5 | 10.8 | -    | 20.6                            | 2.0                           | 19.6                    | 17.9 | 15.4 | 12.6 | 9.9  | -    |
|                        | 62      | 20.5                                 | 1.9                           | 20.5                    | 20.5 | 20.0 | 17.3 | 14.7 | 12.0 | 18.7                            | 2.0                           | 18.7                    | 18.7 | 18.0 | 15.2 | 12.5 | 9.8  |
|                        | 57      | 22.1                                 | 1.9                           | 22.1                    | 22.1 | 21.5 | 18.8 | 16.2 | 13.5 | 20.0                            | 2.0                           | 20.0                    | 20.0 | 19.2 | 16.4 | 13.7 | 10.9 |
| 800                    | 77      | 27.8                                 | 2.0                           | 16.4                    | 13.5 | 10.6 | -    | -    | -    | 26.3                            | 2.1                           | 17.7                    | 13.0 | 9.5  | -    | -    | -    |
|                        | 72      | 26.2                                 | 1.9                           | 19.8                    | 16.8 | 13.9 | 10.9 | -    | -    | 23.9                            | 2.1                           | 19.2                    | 16.2 | 13.1 | 10.0 | -    | -    |
|                        | 67      | 24.6                                 | 1.9                           | 23.1                    | 20.1 | 17.2 | 14.3 | 11.3 | -    | 21.5                            | 2.1                           | 20.8                    | 19.3 | 16.6 | 13.5 | 10.5 | -    |
|                        | 62      | 21.5                                 | 1.9                           | 21.5                    | 21.5 | 21.3 | 18.4 | 15.4 | 12.5 | 19.5                            | 2.0                           | 19.5                    | 19.5 | 19.4 | 16.4 | 13.3 | 10.2 |
|                        | 57      | 23.2                                 | 1.9                           | 23.2                    | 23.2 | 22.9 | 20.0 | 17.0 | 14.1 | 21.0                            | 2.0                           | 21.0                    | 21.0 | 20.7 | 17.6 | 14.5 | 11.5 |
| 900                    | 72      | 26.1                                 | 2.0                           | 21.5                    | 18.3 | 15.0 | 11.8 | -    | -    | 24.0                            | 2.1                           | 20.7                    | 17.4 | 14.0 | 10.7 | -    | -    |
|                        | 67      | 24.5                                 | 1.9                           | 23.8                    | 21.9 | 18.7 | 15.4 | 12.2 | -    | 21.7                            | 2.1                           | 21.3                    | 20.3 | 17.8 | 14.5 | 11.2 | -    |
|                        | 62      | 21.5                                 | 1.9                           | 21.5                    | 21.5 | 21.4 | 18.2 | 14.9 | 11.7 | 19.7                            | 2.0                           | 19.7                    | 19.7 | 19.6 | 16.3 | 12.9 | 9.6  |
|                        | 57      | 23.1                                 | 1.9                           | 23.1                    | 23.1 | 23.0 | 19.8 | 16.6 | 13.4 | 21.1                            | 2.1                           | 21.1                    | 21.1 | 21.0 | 17.6 | 14.3 | 11.0 |
| 1000                   | 72      | 26.1                                 | 2.0                           | 23.2                    | 19.7 | 16.2 | 12.8 | -    | -    | 24.2                            | 2.1                           | 22.2                    | 18.6 | 15.0 | 11.4 | -    | -    |
|                        | 67      | 24.5                                 | 1.9                           | 24.5                    | 23.6 | 20.1 | 16.6 | 13.2 | -    | 21.8                            | 2.1                           | 21.8                    | 21.3 | 19.1 | 15.5 | 11.9 | -    |
|                        | 62      | 21.4                                 | 1.9                           | 21.4                    | 21.4 | 21.4 | 18.0 | 14.5 | 11.0 | 19.8                            | 2.1                           | 19.8                    | 19.8 | 19.8 | 16.2 | 12.6 | 9.0  |
|                        | 57      | 23.1                                 | 1.9                           | 23.1                    | 23.1 | 23.1 | 19.6 | 16.1 | 12.7 | 21.2                            | 2.1                           | 21.2                    | 21.2 | 21.2 | 17.6 | 14.0 | 10.4 |

**DNZ024 (2.0 Ton) (Continued)**

| Air on Evaporator Coil |         | Temperature of Air on Condenser Coil |                               |                         |      |      |      |      |     |                                 |                               |                         |      |      |      |     |     |
|------------------------|---------|--------------------------------------|-------------------------------|-------------------------|------|------|------|------|-----|---------------------------------|-------------------------------|-------------------------|------|------|------|-----|-----|
| CFM                    | WB (°F) | Net Capacity <sup>1</sup> (MBh)      | Total Input (kW) <sup>2</sup> | Sensible Capacity (MBh) |      |      |      |      |     | Net Capacity <sup>1</sup> (MBh) | Total Input (kW) <sup>2</sup> | Sensible Capacity (MBh) |      |      |      |     |     |
|                        |         |                                      |                               | Return Dry Bulb (°F)    |      |      |      |      |     |                                 |                               | Return Dry Bulb (°F)    |      |      |      |     |     |
|                        |         |                                      |                               | 90                      | 85   | 80   | 75   | 70   | 65  |                                 |                               | 90                      | 85   | 80   | 75   | 70  | 65  |
|                        |         |                                      |                               | <b>115°F</b>            |      |      |      |      |     | <b>125°F</b>                    |                               |                         |      |      |      |     |     |
| 500                    | 77      | 21.8                                 | 2.3                           | 10.0                    | 7.9  | 6.2  | -    | -    | -   | 20.8                            | 2.4                           | 10.0                    | 5.9  | 5.1  | -    | -   | -   |
|                        | 72      | 19.1                                 | 2.2                           | 13.2                    | 11.1 | 9.0  | 6.9  | -    | -   | 17.4                            | 2.4                           | 12.0                    | 9.9  | 7.8  | 5.8  | -   | -   |
|                        | 67      | 16.3                                 | 2.2                           | 16.3                    | 14.2 | 11.8 | 9.7  | 7.6  | -   | 14.0                            | 2.3                           | 14.0                    | 14.0 | 10.6 | 8.5  | 6.5 | -   |
|                        | 62      | 15.5                                 | 2.2                           | 15.5                    | 15.5 | 12.9 | 10.8 | 8.7  | 6.6 | 14.0                            | 2.3                           | 14.0                    | 14.0 | 10.6 | 8.5  | 6.5 | 4.4 |
| 600                    | 77      | 22.8                                 | 2.3                           | 13.0                    | 9.5  | 7.0  | -    | -    | -   | 21.6                            | 2.4                           | 13.7                    | 8.6  | 5.9  | -    | -   | -   |
|                        | 72      | 19.9                                 | 2.2                           | 15.0                    | 12.5 | 10.1 | 7.6  | -    | -   | 18.0                            | 2.4                           | 14.1                    | 11.6 | 9.1  | 6.5  | -   | -   |
|                        | 67      | 17.1                                 | 2.2                           | 17.1                    | 15.6 | 13.2 | 10.7 | 8.3  | -   | 14.5                            | 2.3                           | 14.5                    | 14.5 | 12.2 | 9.7  | 7.2 | -   |
|                        | 62      | 16.2                                 | 2.2                           | 16.2                    | 16.2 | 14.4 | 12.0 | 9.5  | 7.1 | 14.6                            | 2.3                           | 14.6                    | 14.6 | 12.3 | 9.8  | 7.3 | 4.8 |
|                        | 57      | 17.3                                 | 2.2                           | 17.3                    | 17.3 | 15.2 | 12.8 | 10.3 | 7.8 | 15.5                            | 2.3                           | 15.5                    | 15.5 | 12.8 | 10.3 | 7.8 | 5.3 |
| 700                    | 77      | 23.8                                 | 2.3                           | 15.9                    | 11.0 | 7.8  | -    | -    | -   | 22.4                            | 2.5                           | 17.3                    | 11.4 | 6.7  | -    | -   | -   |
|                        | 72      | 20.8                                 | 2.2                           | 16.9                    | 14.0 | 11.2 | 8.3  | -    | -   | 18.7                            | 2.4                           | 16.1                    | 13.2 | 10.3 | 7.3  | -   | -   |
|                        | 67      | 17.8                                 | 2.2                           | 17.8                    | 17.1 | 14.6 | 11.8 | 8.9  | -   | 15.0                            | 2.3                           | 15.0                    | 15.0 | 13.8 | 10.9 | 8.0 | -   |
|                        | 62      | 16.9                                 | 2.2                           | 16.9                    | 16.9 | 16.0 | 13.2 | 10.3 | 7.5 | 15.1                            | 2.3                           | 15.1                    | 15.1 | 14.0 | 11.1 | 8.2 | 5.2 |
|                        | 57      | 18.0                                 | 2.2                           | 18.0                    | 18.0 | 16.9 | 14.0 | 11.2 | 8.4 | 16.0                            | 2.3                           | 16.0                    | 16.0 | 14.5 | 11.6 | 8.7 | 5.8 |
| 800                    | 77      | 24.7                                 | 2.3                           | 18.9                    | 12.5 | 8.5  | -    | -    | -   | 23.2                            | 2.5                           | 20.9                    | 14.2 | 7.5  | -    | -   | -   |
|                        | 72      | 21.6                                 | 2.3                           | 18.7                    | 15.5 | 12.3 | 9.1  | -    | -   | 19.3                            | 2.4                           | 18.2                    | 14.8 | 11.5 | 8.1  | -   | -   |
|                        | 67      | 18.5                                 | 2.2                           | 18.5                    | 18.5 | 16.0 | 12.8 | 9.6  | -   | 15.5                            | 2.3                           | 15.5                    | 15.5 | 15.5 | 12.1 | 8.8 | -   |
|                        | 62      | 17.6                                 | 2.2                           | 17.6                    | 17.6 | 17.6 | 14.3 | 11.1 | 7.9 | 15.6                            | 2.3                           | 15.6                    | 15.6 | 15.6 | 12.3 | 9.0 | 5.6 |
|                        | 57      | 18.8                                 | 2.2                           | 18.8                    | 18.8 | 18.5 | 15.3 | 12.1 | 8.9 | 16.5                            | 2.4                           | 16.5                    | 16.5 | 16.3 | 13.0 | 9.6 | 6.3 |
| 900                    | 72      | 22.0                                 | 2.3                           | 20.0                    | 16.5 | 13.0 | 9.6  | -    | -   | 19.9                            | 2.4                           | 19.2                    | 15.6 | 12.0 | 8.4  | -   | -   |
|                        | 67      | 18.8                                 | 2.2                           | 18.8                    | 18.8 | 17.0 | 13.6 | 10.1 | -   | 15.9                            | 2.4                           | 15.9                    | 15.9 | 15.9 | 12.6 | 9.0 | -   |
|                        | 62      | 17.8                                 | 2.2                           | 17.8                    | 17.8 | 17.8 | 14.4 | 10.9 | 7.5 | 16.0                            | 2.3                           | 16.0                    | 16.0 | 16.0 | 12.5 | 8.9 | 5.3 |
|                        | 57      | 19.1                                 | 2.2                           | 19.1                    | 19.1 | 18.9 | 15.5 | 12.0 | 8.5 | 17.0                            | 2.4                           | 17.0                    | 17.0 | 16.9 | 13.3 | 9.7 | 6.1 |
| 1000                   | 72      | 22.3                                 | 2.3                           | 21.2                    | 17.5 | 13.8 | 10.1 | -    | -   | 20.4                            | 2.4                           | 20.3                    | 16.4 | 12.6 | 8.8  | -   | -   |
|                        | 67      | 19.1                                 | 2.2                           | 19.1                    | 19.1 | 18.0 | 14.3 | 10.6 | -   | 16.4                            | 2.4                           | 16.4                    | 16.4 | 16.4 | 13.2 | 9.3 | -   |
|                        | 62      | 18.1                                 | 2.2                           | 18.1                    | 18.1 | 18.1 | 14.4 | 10.7 | 7.0 | 16.5                            | 2.4                           | 16.5                    | 16.5 | 16.5 | 12.7 | 8.8 | 5.0 |
|                        | 57      | 19.4                                 | 2.2                           | 19.4                    | 19.4 | 19.4 | 15.7 | 11.9 | 8.2 | 17.5                            | 2.4                           | 17.5                    | 17.5 | 17.5 | 13.7 | 9.9 | 6.0 |

1. These capacities are Net Capacities.
2. These ratings include the compressor, condenser fan and supply air blower motors.

**DNZ030 (2.5 Ton)**

| Air on Evaporator Coil |         | Temperature of Air on Condenser Coil |                               |                         |             |      |      |      |      |                                 |                               |                         |      |      |      |      |      |
|------------------------|---------|--------------------------------------|-------------------------------|-------------------------|-------------|------|------|------|------|---------------------------------|-------------------------------|-------------------------|------|------|------|------|------|
| CFM                    | WB (°F) | Net Capacity <sup>1</sup> (MBh)      | Total Input (kW) <sup>2</sup> | Sensible Capacity (MBh) |             |      |      |      |      | Net Capacity <sup>1</sup> (MBh) | Total Input (kW) <sup>2</sup> | Sensible Capacity (MBh) |      |      |      |      |      |
|                        |         |                                      |                               | Return Dry Bulb (°F)    |             |      |      |      |      |                                 |                               | Return Dry Bulb (°F)    |      |      |      |      |      |
|                        |         |                                      |                               | 90                      | 85          | 80   | 75   | 70   | 65   |                                 |                               | 90                      | 85   | 80   | 75   | 70   | 65   |
|                        |         |                                      |                               | <b>75°F</b>             |             |      |      |      |      | <b>85°F</b>                     |                               |                         |      |      |      |      |      |
| 850                    | 77      | 35.3                                 | 2.1                           | 15.9                    | 12.6        | 9.3  | -    | -    | -    | 33.9                            | 2.3                           | 16.5                    | 13.1 | 9.7  | -    | -    | -    |
|                        | 72      | 33.5                                 | 2.1                           | 20.8                    | 17.5        | 14.2 | 10.8 | -    | -    | 31.7                            | 2.3                           | 20.8                    | 17.5 | 14.1 | 10.7 | -    | -    |
|                        | 67      | 31.6                                 | 2.1                           | 25.7                    | 22.4        | 19.0 | 15.7 | 12.4 | -    | 29.6                            | 2.3                           | 25.2                    | 21.8 | 18.4 | 15.0 | 11.6 | -    |
|                        | 62      | 29.7                                 | 2.0                           | 29.7                    | 27.6        | 22.8 | 19.5 | 16.1 | 12.8 | 27.4                            | 2.2                           | 27.4                    | 26.3 | 22.4 | 19.0 | 15.6 | 12.2 |
| 900                    | 57      | 37.1                                 | 2.1                           | 17.0                    | 13.7        | 10.4 | -    | -    | -    | 35.6                            | 2.4                           | 17.6                    | 14.2 | 10.7 | -    | -    | -    |
|                        | 77      | 35.1                                 | 2.1                           | 22.4                    | 19.1        | 15.8 | 12.4 | -    | -    | 33.3                            | 2.3                           | 22.4                    | 18.9 | 15.5 | 12.0 | -    | -    |
|                        | 72      | 33.2                                 | 2.1                           | 27.8                    | 24.5        | 21.2 | 17.8 | 14.5 | -    | 31.1                            | 2.3                           | 27.2                    | 23.7 | 20.3 | 16.8 | 13.3 | -    |
|                        | 67      | 31.2                                 | 2.0                           | 31.2                    | 29.8        | 25.3 | 22.0 | 18.7 | 15.4 | 28.8                            | 2.2                           | 28.8                    | 28.1 | 24.6 | 21.2 | 17.7 | 14.3 |
| 950                    | 62      | 29.9                                 | 2.0                           | 29.9                    | 29.9        | 27.1 | 23.8 | 20.5 | 17.2 | 28.0                            | 2.2                           | 28.0                    | 28.0 | 25.8 | 22.4 | 18.9 | 15.5 |
|                        | 57      | 38.8                                 | 2.1                           | 18.0                    | 14.7        | 11.4 | -    | -    | -    | 37.3                            | 2.4                           | 18.8                    | 15.2 | 11.7 | -    | -    | -    |
|                        | 77      | 36.8                                 | 2.1                           | 24.0                    | 20.7        | 17.3 | 14.0 | -    | -    | 34.9                            | 2.3                           | 24.0                    | 20.4 | 16.9 | 13.4 | -    | -    |
|                        | 72      | 34.8                                 | 2.1                           | 29.9                    | 26.6        | 23.3 | 20.0 | 16.7 | -    | 32.5                            | 2.3                           | 29.1                    | 25.6 | 22.1 | 18.6 | 15.1 | -    |
| 1000                   | 67      | 32.7                                 | 2.1                           | 32.7                    | 32.0        | 27.9 | 24.6 | 21.3 | 17.9 | 30.2                            | 2.3                           | 30.2                    | 29.8 | 26.9 | 23.4 | 19.8 | 16.3 |
|                        | 62      | 31.3                                 | 2.1                           | 31.3                    | 31.3        | 29.9 | 26.6 | 23.2 | 19.9 | 29.4                            | 2.3                           | 29.4                    | 29.4 | 28.2 | 24.7 | 21.2 | 17.6 |
|                        | 57      | 40.6                                 | 2.2                           | 19.1                    | 15.8        | 12.5 | -    | -    | -    | 39.0                            | 2.4                           | 19.9                    | 16.3 | 12.7 | -    | -    | -    |
|                        | 72      | 38.5                                 | 2.1                           | 25.6                    | 22.2        | 18.9 | 15.6 | -    | -    | 36.5                            | 2.3                           | 25.5                    | 21.9 | 18.3 | 14.7 | -    | -    |
| 1125                   | 67      | 36.4                                 | 2.1                           | 32.0                    | 28.7        | 25.4 | 22.1 | 18.8 | -    | 34.0                            | 2.3                           | 31.1                    | 27.6 | 24.0 | 20.4 | 16.8 | -    |
|                        | 62      | 34.2                                 | 2.1                           | 34.2                    | 34.2        | 30.4 | 27.1 | 23.8 | 20.5 | 31.5                            | 2.3                           | 31.5                    | 31.5 | 29.1 | 25.6 | 22.0 | 18.4 |
|                        | 57      | 32.8                                 | 2.1                           | 32.8                    | 32.8        | 32.6 | 29.3 | 26.0 | 22.7 | 30.7                            | 2.3                           | 30.7                    | 30.7 | 30.6 | 27.0 | 23.4 | 19.8 |
|                        | 72      | 39.1                                 | 2.1                           | 26.5                    | 22.9        | 19.4 | 15.8 | -    | -    | 37.1                            | 2.4                           | 26.9                    | 23.0 | 19.2 | 15.3 | -    | -    |
| 1250                   | 67      | 37.0                                 | 2.1                           | 34.1                    | 29.6        | 26.0 | 22.4 | 18.9 | -    | 34.6                            | 2.3                           | 32.8                    | 28.9 | 25.1 | 21.2 | 17.4 | -    |
|                        | 62      | 34.7                                 | 2.1                           | 34.7                    | 34.7        | 32.1 | 28.6 | 25.0 | 21.5 | 32.0                            | 2.3                           | 32.0                    | 32.0 | 30.5 | 26.6 | 22.8 | 18.9 |
|                        | 57      | 33.3                                 | 2.1                           | 33.3                    | 33.3        | 33.2 | 29.7 | 26.1 | 22.5 | 31.2                            | 2.3                           | 31.2                    | 31.2 | 31.1 | 27.3 | 23.4 | 19.6 |
|                        | 72      | 39.8                                 | 2.2                           | 27.4                    | 23.6        | 19.8 | 16.0 | -    | -    | 37.7                            | 2.4                           | 28.2                    | 24.1 | 20.0 | 15.9 | -    | -    |
| 1250                   | 67      | 37.6                                 | 2.1                           | 36.1                    | 30.4        | 26.6 | 22.8 | 19.0 | -    | 35.1                            | 2.3                           | 34.4                    | 30.3 | 26.2 | 22.0 | 17.9 | -    |
|                        | 62      | 35.3                                 | 2.1                           | 35.3                    | 35.3        | 33.8 | 30.0 | 26.2 | 22.4 | 32.5                            | 2.3                           | 32.5                    | 32.5 | 31.8 | 27.7 | 23.6 | 19.5 |
|                        | 57      | 33.8                                 | 2.1                           | 33.8                    | 33.8        | 33.8 | 30.0 | 26.2 | 22.4 | 31.7                            | 2.3                           | 31.7                    | 31.7 | 31.7 | 27.6 | 23.5 | 19.4 |
|                        |         |                                      |                               |                         | <b>95°F</b> |      |      |      |      |                                 | <b>105°F</b>                  |                         |      |      |      |      |      |
| 850                    | 77      | 32.4                                 | 2.6                           | 17.1                    | 13.7        | 10.2 | -    | -    | -    | 30.7                            | 2.8                           | 17.4                    | 13.0 | 9.4  | -    | -    | -    |
|                        | 72      | 30.0                                 | 2.5                           | 20.9                    | 17.4        | 14.0 | 10.5 | -    | -    | 27.8                            | 2.7                           | 20.4                    | 16.8 | 13.1 | 9.5  | -    | -    |
|                        | 67      | 27.5                                 | 2.5                           | 24.7                    | 21.2        | 17.8 | 14.3 | 10.8 | -    | 24.9                            | 2.6                           | 23.5                    | 20.6 | 16.9 | 13.2 | 9.6  | -    |
|                        | 62      | 25.1                                 | 2.4                           | 25.1                    | 25.1        | 21.9 | 18.5 | 15.0 | 11.6 | 23.0                            | 2.6                           | 23.0                    | 23.0 | 20.1 | 16.4 | 12.8 | 9.1  |
| 900                    | 57      | 34.1                                 | 2.6                           | 18.3                    | 14.7        | 11.1 | -    | -    | -    | 32.1                            | 2.8                           | 18.8                    | 14.0 | 10.2 | -    | -    | -    |
|                        | 77      | 31.5                                 | 2.5                           | 22.4                    | 18.8        | 15.2 | 11.6 | -    | -    | 29.1                            | 2.7                           | 21.8                    | 18.1 | 14.3 | 10.6 | -    | -    |
|                        | 72      | 28.9                                 | 2.5                           | 26.5                    | 22.9        | 19.3 | 15.8 | 12.2 | -    | 26.1                            | 2.7                           | 24.9                    | 22.2 | 18.4 | 14.7 | 10.9 | -    |
|                        | 67      | 26.4                                 | 2.4                           | 26.4                    | 26.4        | 23.9 | 20.3 | 16.7 | 13.1 | 24.1                            | 2.6                           | 24.1                    | 24.1 | 21.9 | 18.2 | 14.4 | 10.7 |
| 950                    | 62      | 26.2                                 | 2.4                           | 26.2                    | 26.2        | 24.5 | 20.9 | 17.3 | 13.8 | 24.0                            | 2.6                           | 24.0                    | 24.0 | 22.2 | 18.4 | 14.7 | 10.9 |
|                        | 57      | 35.7                                 | 2.6                           | 19.5                    | 15.8        | 12.0 | -    | -    | -    | 33.4                            | 2.8                           | 20.2                    | 14.9 | 11.1 | -    | -    | -    |
|                        | 77      | 33.0                                 | 2.5                           | 23.9                    | 20.2        | 16.5 | 12.8 | -    | -    | 30.3                            | 2.7                           | 23.2                    | 19.4 | 15.5 | 11.7 | -    | -    |
|                        | 72      | 30.3                                 | 2.5                           | 28.4                    | 24.7        | 20.9 | 17.2 | 13.5 | -    | 27.2                            | 2.7                           | 26.2                    | 23.8 | 20.0 | 16.2 | 12.3 | -    |
| 1000                   | 67      | 27.6                                 | 2.4                           | 27.6                    | 27.6        | 25.9 | 22.1 | 18.4 | 14.7 | 25.1                            | 2.6                           | 25.1                    | 25.1 | 23.7 | 19.9 | 16.1 | 12.2 |
|                        | 62      | 27.4                                 | 2.4                           | 27.4                    | 27.4        | 26.5 | 22.8 | 19.1 | 15.4 | 25.0                            | 2.6                           | 25.0                    | 25.0 | 24.0 | 20.2 | 16.3 | 12.5 |
|                        | 57      | 37.4                                 | 2.6                           | 20.7                    | 16.8        | 12.9 | -    | -    | -    | 34.8                            | 2.8                           | 21.6                    | 15.9 | 11.9 | -    | -    | -    |
|                        | 72      | 34.6                                 | 2.6                           | 25.5                    | 21.6        | 17.7 | 13.9 | -    | -    | 31.6                            | 2.8                           | 24.6                    | 20.7 | 16.7 | 12.8 | -    | -    |
| 1125                   | 67      | 31.7                                 | 2.5                           | 30.3                    | 26.4        | 22.5 | 18.7 | 14.8 | -    | 28.3                            | 2.7                           | 27.6                    | 25.5 | 21.5 | 17.6 | 13.7 | -    |
|                        | 62      | 28.9                                 | 2.5                           | 28.9                    | 28.9        | 27.8 | 24.0 | 20.1 | 16.2 | 26.1                            | 2.6                           | 26.1                    | 26.1 | 25.6 | 21.7 | 17.7 | 13.8 |
|                        | 57      | 28.7                                 | 2.5                           | 28.7                    | 28.7        | 28.6 | 24.7 | 20.8 | 17.0 | 26.0                            | 2.6                           | 26.0                    | 26.0 | 25.9 | 21.9 | 18.0 | 14.1 |
|                        | 72      | 35.1                                 | 2.6                           | 27.3                    | 23.1        | 19.0 | 14.8 | -    | -    | 32.1                            | 2.8                           | 26.4                    | 22.1 | 17.9 | 13.6 | -    | -    |
| 1250                   | 67      | 32.2                                 | 2.5                           | 31.5                    | 28.3        | 24.1 | 20.0 | 15.8 | -    | 28.8                            | 2.7                           | 28.4                    | 26.7 | 23.0 | 18.8 | 14.5 | -    |
|                        | 62      | 29.3                                 | 2.5                           | 29.3                    | 29.3        | 28.8 | 24.7 | 20.5 | 16.4 | 26.5                            | 2.7                           | 26.5                    | 26.5 | 26.3 | 22.0 | 17.8 | 13.5 |
|                        | 57      | 29.1                                 | 2.5                           | 29.1                    | 29.1        | 29.1 | 24.9 | 20.8 | 16.6 | 26.5                            | 2.7                           | 26.5                    | 26.5 | 26.4 | 22.1 | 17.9 | 13.6 |
|                        | 72      | 35.6                                 | 2.6                           | 29.1                    | 24.7        | 20.2 | 15.8 | -    | -    | 32.6                            | 2.8                           | 28.2                    | 23.6 | 19.0 | 14.5 | -    | -    |
| 1250                   | 67      | 32.7                                 | 2.5                           | 32.7                    | 30.1        | 25.7 | 21.3 | 16.9 | -    | 29.2                            | 2.7                           | 29.2                    | 28.0 | 24.5 | 19.9 | 15.4 | -    |
|                        | 62      | 29.8                                 | 2.5                           | 29.8                    | 29.8        | 29.8 | 25.4 | 21.0 | 16.5 | 27.0                            | 2.7                           | 27.0                    | 27.0 | 27.0 | 22.4 | 17.8 | 13.2 |
|                        | 57      | 29.6                                 | 2.5                           | 29.6                    | 29.6        | 29.6 | 25.2 | 20.7 | 16.3 | 26.9                            | 2.7                           | 26.9                    | 26.9 | 26.9 | 22.3 | 17.7 | 13.1 |

**DNZ030 (2.5 Ton) (Continued)**

| Air on Evaporator Coil |         | Temperature of Air on Condenser Coil |                               |                         |      |      |      |      |      |                                 |                               |                         |      |      |      |      |     |
|------------------------|---------|--------------------------------------|-------------------------------|-------------------------|------|------|------|------|------|---------------------------------|-------------------------------|-------------------------|------|------|------|------|-----|
| CFM                    | WB (°F) | Net Capacity <sup>1</sup> (MBh)      | Total Input (kW) <sup>2</sup> | Sensible Capacity (MBh) |      |      |      |      |      | Net Capacity <sup>1</sup> (MBh) | Total Input (kW) <sup>2</sup> | Sensible Capacity (MBh) |      |      |      |      |     |
|                        |         |                                      |                               | Return Dry Bulb (°F)    |      |      |      |      |      |                                 |                               | Return Dry Bulb (°F)    |      |      |      |      |     |
|                        |         |                                      |                               | 90                      | 85   | 80   | 75   | 70   | 65   |                                 |                               | 90                      | 85   | 80   | 75   | 70   | 65  |
|                        |         |                                      |                               | <b>115°F</b>            |      |      |      |      |      | <b>125°F</b>                    |                               |                         |      |      |      |      |     |
| 850                    | 77      | 29.0                                 | 3.0                           | 17.6                    | 12.4 | 8.5  | -    | -    | -    | 27.2                            | 3.3                           | 19.3                    | 11.2 | 7.7  | -    | -    | -   |
|                        | 72      | 25.7                                 | 2.9                           | 20.0                    | 16.1 | 12.3 | 8.4  | -    | -    | 23.5                            | 3.1                           | 19.6                    | 15.5 | 11.4 | 7.4  | -    | -   |
|                        | 67      | 22.4                                 | 2.8                           | 22.4                    | 19.9 | 16.0 | 12.2 | 8.3  | -    | 19.8                            | 3.0                           | 19.8                    | 19.8 | 15.2 | 11.1 | 7.1  | -   |
|                        | 62      | 21.0                                 | 2.8                           | 21.0                    | 21.0 | 18.2 | 14.3 | 10.5 | 6.6  | 18.9                            | 3.0                           | 18.9                    | 18.9 | 16.3 | 12.3 | 8.2  | 4.1 |
| 900                    | 57      | 30.0                                 | 3.0                           | 19.3                    | 13.2 | 9.3  | -    | -    | -    | 28.0                            | 3.3                           | 21.0                    | 12.8 | 8.4  | -    | -    | -   |
|                        | 77      | 26.6                                 | 2.9                           | 21.2                    | 17.3 | 13.4 | 9.5  | -    | -    | 24.2                            | 3.1                           | 20.7                    | 16.6 | 12.5 | 8.5  | -    | -   |
|                        | 72      | 23.2                                 | 2.8                           | 23.2                    | 21.5 | 17.6 | 13.6 | 9.7  | -    | 20.4                            | 3.0                           | 20.4                    | 20.4 | 16.7 | 12.6 | 8.5  | -   |
|                        | 67      | 21.8                                 | 2.8                           | 21.8                    | 21.8 | 19.9 | 16.0 | 12.1 | 8.2  | 19.5                            | 3.0                           | 19.5                    | 19.5 | 17.9 | 13.8 | 9.8  | 5.7 |
| 950                    | 62      | 21.8                                 | 2.8                           | 21.8                    | 21.8 | 19.8 | 15.9 | 12.0 | 8.1  | 19.6                            | 3.0                           | 19.6                    | 19.6 | 17.4 | 13.3 | 9.3  | 5.2 |
|                        | 57      | 31.1                                 | 3.0                           | 20.9                    | 14.1 | 10.1 | -    | -    | -    | 28.8                            | 3.3                           | 22.6                    | 14.5 | 9.1  | -    | -    | -   |
|                        | 77      | 27.6                                 | 2.9                           | 22.5                    | 18.5 | 14.6 | 10.6 | -    | -    | 24.9                            | 3.2                           | 21.8                    | 17.7 | 13.6 | 9.6  | -    | -   |
|                        | 72      | 24.1                                 | 2.9                           | 24.1                    | 23.0 | 19.1 | 15.1 | 11.2 | -    | 20.9                            | 3.0                           | 20.9                    | 20.9 | 18.1 | 14.1 | 10.0 | -   |
| 1000                   | 67      | 22.5                                 | 2.8                           | 22.5                    | 22.5 | 21.6 | 17.7 | 13.7 | 9.8  | 20.0                            | 3.0                           | 20.0                    | 20.0 | 19.5 | 15.4 | 11.4 | 7.3 |
|                        | 62      | 22.6                                 | 2.8                           | 22.6                    | 22.6 | 21.5 | 17.5 | 13.6 | 9.6  | 20.1                            | 3.0                           | 20.1                    | 20.1 | 18.9 | 14.9 | 10.8 | 6.7 |
|                        | 57      | 32.2                                 | 3.1                           | 22.6                    | 14.9 | 10.9 | -    | -    | -    | 29.6                            | 3.3                           | 24.2                    | 16.1 | 9.9  | -    | -    | -   |
|                        | 72      | 28.6                                 | 3.0                           | 23.7                    | 19.7 | 15.7 | 11.7 | -    | -    | 25.5                            | 3.2                           | 22.9                    | 18.8 | 14.7 | 10.7 | -    | -   |
| 1125                   | 67      | 24.9                                 | 2.9                           | 24.9                    | 24.6 | 20.6 | 16.6 | 12.6 | -    | 21.5                            | 3.0                           | 21.5                    | 21.5 | 19.6 | 15.5 | 11.5 | -   |
|                        | 62      | 23.3                                 | 2.8                           | 23.3                    | 23.3 | 23.3 | 19.3 | 15.3 | 11.3 | 20.5                            | 3.0                           | 20.5                    | 20.5 | 20.5 | 17.0 | 12.9 | 8.9 |
|                        | 57      | 23.4                                 | 2.8                           | 23.4                    | 23.4 | 23.2 | 19.2 | 15.2 | 11.2 | 20.7                            | 3.0                           | 20.7                    | 20.7 | 20.5 | 16.4 | 12.4 | 8.3 |
|                        | 72      | 29.1                                 | 3.0                           | 25.5                    | 21.2 | 16.8 | 12.4 | -    | -    | 26.1                            | 3.2                           | 24.7                    | 20.2 | 15.7 | 11.2 | -    | -   |
| 1250                   | 67      | 25.3                                 | 2.9                           | 25.3                    | 25.2 | 21.9 | 17.6 | 13.2 | -    | 21.9                            | 3.1                           | 21.9                    | 21.9 | 20.9 | 16.4 | 11.9 | -   |
|                        | 62      | 23.7                                 | 2.8                           | 23.7                    | 23.7 | 23.7 | 19.4 | 15.0 | 10.6 | 21.0                            | 3.0                           | 21.0                    | 21.0 | 21.0 | 16.7 | 12.2 | 7.7 |
|                        | 57      | 23.8                                 | 2.9                           | 23.8                    | 23.8 | 23.7 | 19.3 | 14.9 | 10.6 | 21.1                            | 3.0                           | 21.1                    | 21.1 | 21.0 | 16.5 | 12.0 | 7.5 |
|                        | 72      | 29.6                                 | 3.0                           | 27.4                    | 22.6 | 17.8 | 13.1 | -    | -    | 26.6                            | 3.2                           | 26.5                    | 21.6 | 16.6 | 11.7 | -    | -   |
| 1250                   | 67      | 25.8                                 | 2.9                           | 25.8                    | 25.8 | 23.3 | 18.6 | 13.8 | -    | 22.4                            | 3.1                           | 22.4                    | 22.4 | 22.1 | 17.2 | 12.3 | -   |
|                        | 62      | 24.2                                 | 2.9                           | 24.2                    | 24.2 | 24.2 | 19.4 | 14.7 | 9.9  | 21.4                            | 3.1                           | 21.4                    | 21.4 | 21.4 | 16.4 | 11.5 | 6.6 |
|                        | 57      | 24.2                                 | 2.9                           | 24.2                    | 24.2 | 24.2 | 19.5 | 14.7 | 9.9  | 21.5                            | 3.1                           | 21.5                    | 21.5 | 21.5 | 16.6 | 11.7 | 6.7 |

1. These capacities are Net Capacities.
2. These ratings include the compressor, condenser fan and supply air blower motors.

**DNZ036 (3.0 Ton)**

| Air on Evaporator Coil |         | Temperature of Air on Condenser Coil |                               |                         |      |      |      |      |      |                                 |                               |                         |      |      |      |      |      |  |  |
|------------------------|---------|--------------------------------------|-------------------------------|-------------------------|------|------|------|------|------|---------------------------------|-------------------------------|-------------------------|------|------|------|------|------|--|--|
| CFM                    | WB (°F) | Net Capacity <sup>1</sup> (MBh)      | Total Input (kW) <sup>2</sup> | Sensible Capacity (MBh) |      |      |      |      |      | Net Capacity <sup>1</sup> (MBh) | Total Input (kW) <sup>2</sup> | Sensible Capacity (MBh) |      |      |      |      |      |  |  |
|                        |         |                                      |                               | Return Dry Bulb (°F)    |      |      |      |      |      |                                 |                               | Return Dry Bulb (°F)    |      |      |      |      |      |  |  |
|                        |         |                                      |                               | 90                      | 85   | 80   | 75   | 70   | 65   |                                 |                               | 90                      | 85   | 80   | 75   | 70   | 65   |  |  |
|                        |         |                                      |                               | <b>75°F</b>             |      |      |      |      |      |                                 |                               | <b>85°F</b>             |      |      |      |      |      |  |  |
| 750                    | 77      | 36.9                                 | 1.9                           | 18.9                    | 15.2 | 12.1 | -    | -    | -    | 40.3                            | 2.5                           | 18.3                    | 15.2 | 12.1 | -    | -    | -    |  |  |
|                        | 72      | 34.7                                 | 2.0                           | 22.9                    | 19.8 | 16.7 | 13.6 | -    | -    | 37.1                            | 2.5                           | 23.2                    | 20.0 | 16.8 | 13.7 | -    | -    |  |  |
|                        | 67      | 32.6                                 | 2.1                           | 26.9                    | 24.4 | 21.3 | 18.2 | 15.1 | -    | 33.9                            | 2.5                           | 28.1                    | 24.8 | 21.6 | 18.4 | 15.2 | -    |  |  |
|                        | 62      | 30.7                                 | 2.0                           | 30.7                    | 30.7 | 26.4 | 23.3 | 20.2 | 17.1 | 31.3                            | 2.5                           | 31.3                    | 30.7 | 25.7 | 22.5 | 19.3 | 16.2 |  |  |
| 900                    | 77      | 39.2                                 | 1.9                           | 20.6                    | 17.0 | 13.4 | -    | -    | -    | 41.4                            | 2.4                           | 20.5                    | 16.8 | 13.2 | -    | -    | -    |  |  |
|                        | 72      | 36.8                                 | 2.0                           | 25.6                    | 22.0 | 18.5 | 14.9 | -    | -    | 38.1                            | 2.5                           | 25.7                    | 22.1 | 18.4 | 14.7 | -    | -    |  |  |
|                        | 67      | 34.5                                 | 2.2                           | 30.7                    | 27.1 | 23.5 | 19.9 | 16.3 | -    | 34.8                            | 2.5                           | 30.9                    | 27.3 | 23.6 | 19.9 | 16.2 | -    |  |  |
|                        | 62      | 32.4                                 | 2.0                           | 32.4                    | 32.4 | 29.2 | 25.6 | 22.0 | 18.4 | 32.1                            | 2.5                           | 32.1                    | 31.7 | 28.0 | 24.4 | 20.7 | 17.0 |  |  |
|                        | 57      | 32.7                                 | 2.1                           | 32.7                    | 32.7 | 29.7 | 26.1 | 22.5 | 19.0 | 32.7                            | 2.5                           | 32.7                    | 32.3 | 28.7 | 25.0 | 21.3 | 17.6 |  |  |
| 1050                   | 77      | 41.4                                 | 2.0                           | 22.2                    | 18.8 | 14.7 | -    | -    | -    | 42.4                            | 2.4                           | 22.8                    | 18.5 | 14.3 | -    | -    | -    |  |  |
|                        | 72      | 38.9                                 | 2.1                           | 28.4                    | 24.3 | 20.2 | 16.1 | -    | -    | 39.1                            | 2.5                           | 28.3                    | 24.1 | 19.9 | 15.7 | -    | -    |  |  |
|                        | 67      | 36.4                                 | 2.2                           | 34.5                    | 29.8 | 25.7 | 21.7 | 17.6 | -    | 35.7                            | 2.5                           | 33.7                    | 29.7 | 25.6 | 21.4 | 17.2 | -    |  |  |
|                        | 62      | 34.2                                 | 2.1                           | 34.2                    | 34.2 | 31.9 | 27.8 | 23.7 | 19.7 | 32.9                            | 2.5                           | 32.9                    | 32.7 | 30.4 | 26.2 | 22.0 | 17.9 |  |  |
|                        | 57      | 34.5                                 | 2.1                           | 34.5                    | 34.5 | 32.5 | 28.4 | 24.4 | 20.3 | 33.5                            | 2.5                           | 33.5                    | 33.3 | 31.1 | 26.9 | 22.7 | 18.5 |  |  |
| 1200                   | 77      | 43.7                                 | 2.0                           | 23.8                    | 20.5 | 15.9 | -    | -    | -    | 43.5                            | 2.4                           | 25.1                    | 20.1 | 15.4 | -    | -    | -    |  |  |
|                        | 72      | 41.0                                 | 2.1                           | 31.1                    | 26.5 | 22.0 | 17.4 | -    | -    | 40.0                            | 2.5                           | 30.8                    | 26.1 | 21.5 | 16.8 | -    | -    |  |  |
|                        | 67      | 38.4                                 | 2.2                           | 38.4                    | 32.6 | 28.0 | 23.4 | 18.8 | -    | 36.6                            | 2.5                           | 36.6                    | 32.2 | 27.5 | 22.9 | 18.2 | -    |  |  |
|                        | 62      | 36.0                                 | 2.1                           | 36.0                    | 36.0 | 34.6 | 30.1 | 25.5 | 20.9 | 33.8                            | 2.5                           | 33.8                    | 33.8 | 32.7 | 28.1 | 23.4 | 18.7 |  |  |
|                        | 57      | 36.3                                 | 2.1                           | 36.3                    | 36.3 | 35.3 | 30.7 | 26.2 | 21.6 | 34.3                            | 2.5                           | 34.3                    | 34.3 | 33.5 | 28.8 | 24.1 | 19.4 |  |  |
| 1350                   | 72      | 41.7                                 | 2.1                           | 33.3                    | 28.1 | 22.8 | 17.6 | -    | -    | 40.2                            | 2.5                           | 32.5                    | 27.2 | 22.0 | 16.7 | -    | -    |  |  |
|                        | 67      | 39.0                                 | 2.2                           | 39.0                    | 34.3 | 29.1 | 23.9 | 18.7 | -    | 36.8                            | 2.5                           | 36.8                    | 33.4 | 28.2 | 22.9 | 17.7 | -    |  |  |
|                        | 62      | 36.5                                 | 2.0                           | 36.5                    | 36.5 | 35.9 | 30.7 | 25.4 | 20.2 | 33.9                            | 2.5                           | 33.9                    | 33.9 | 33.4 | 28.2 | 22.9 | 17.7 |  |  |
|                        | 57      | 36.9                                 | 2.1                           | 36.9                    | 36.9 | 36.4 | 31.2 | 25.9 | 20.7 | 34.5                            | 2.5                           | 34.5                    | 34.5 | 34.1 | 28.8 | 23.6 | 18.3 |  |  |
| 1500                   | 72      | 42.4                                 | 2.0                           | 35.5                    | 29.6 | 23.7 | 17.9 | -    | -    | 40.5                            | 2.5                           | 34.1                    | 28.3 | 22.5 | 16.7 | -    | -    |  |  |
|                        | 67      | 39.6                                 | 2.1                           | 39.6                    | 36.1 | 30.2 | 24.4 | 18.5 | -    | 37.0                            | 2.5                           | 37.0                    | 34.7 | 28.9 | 23.0 | 17.2 | -    |  |  |
|                        | 62      | 37.1                                 | 2.0                           | 37.1                    | 37.1 | 37.1 | 31.3 | 25.4 | 19.5 | 34.1                            | 2.5                           | 34.1                    | 34.1 | 34.1 | 28.3 | 22.5 | 16.6 |  |  |
|                        | 57      | 37.4                                 | 2.0                           | 37.4                    | 37.4 | 37.4 | 31.6 | 25.7 | 19.8 | 34.7                            | 2.5                           | 34.7                    | 34.7 | 34.7 | 28.9 | 23.1 | 17.2 |  |  |
|                        |         |                                      |                               | <b>95°F</b>             |      |      |      |      |      |                                 |                               | <b>105°F</b>            |      |      |      |      |      |  |  |
| 750                    | 77      | 43.7                                 | 3.0                           | 17.6                    | 15.2 | 12.0 | -    | -    | -    | 40.0                            | 3.3                           | 16.0                    | 14.3 | 11.1 | -    | -    | -    |  |  |
|                        | 72      | 39.4                                 | 2.9                           | 23.5                    | 20.2 | 16.9 | 13.7 | -    | -    | 36.2                            | 3.3                           | 22.5                    | 19.2 | 15.9 | 12.7 | -    | -    |  |  |
|                        | 67      | 35.1                                 | 2.9                           | 29.4                    | 25.2 | 21.9 | 18.6 | 15.4 | -    | 32.5                            | 3.3                           | 29.0                    | 24.1 | 20.7 | 17.5 | 14.2 | -    |  |  |
|                        | 62      | 31.9                                 | 3.0                           | 31.9                    | 30.2 | 24.9 | 21.7 | 18.4 | 15.2 | 30.0                            | 3.4                           | 30.0                    | 28.9 | 23.4 | 20.1 | 16.8 | 13.6 |  |  |
| 900                    | 77      | 43.6                                 | 3.0                           | 20.5                    | 16.7 | 12.9 | -    | -    | -    | 39.7                            | 3.3                           | 19.5                    | 15.7 | 12.0 | -    | -    | -    |  |  |
|                        | 72      | 39.3                                 | 2.9                           | 25.8                    | 22.1 | 18.3 | 14.5 | -    | -    | 36.0                            | 3.3                           | 24.7                    | 20.9 | 17.2 | 13.4 | -    | -    |  |  |
|                        | 67      | 35.0                                 | 2.8                           | 31.2                    | 27.4 | 23.6 | 19.9 | 16.1 | -    | 32.2                            | 3.3                           | 29.9                    | 26.2 | 22.4 | 18.6 | 14.9 | -    |  |  |
|                        | 62      | 31.8                                 | 3.0                           | 31.8                    | 30.7 | 26.9 | 23.1 | 19.4 | 15.6 | 29.8                            | 3.4                           | 29.8                    | 29.0 | 25.3 | 21.5 | 17.7 | 14.0 |  |  |
|                        | 57      | 32.6                                 | 3.0                           | 32.6                    | 31.4 | 27.6 | 23.9 | 20.1 | 16.3 | 30.6                            | 3.4                           | 30.6                    | 29.5 | 25.8 | 22.0 | 18.3 | 14.5 |  |  |
| 1050                   | 77      | 43.4                                 | 2.9                           | 23.4                    | 18.2 | 13.9 | -    | -    | -    | 39.4                            | 3.3                           | 23.0                    | 17.2 | 12.9 | -    | -    | -    |  |  |
|                        | 72      | 39.2                                 | 2.9                           | 28.2                    | 23.9 | 19.6 | 15.3 | -    | -    | 35.7                            | 3.3                           | 26.9                    | 22.7 | 18.5 | 14.2 | -    | -    |  |  |
|                        | 67      | 34.9                                 | 2.8                           | 33.0                    | 29.6 | 25.4 | 21.1 | 16.8 | -    | 32.0                            | 3.3                           | 30.8                    | 28.2 | 24.0 | 19.8 | 15.6 | -    |  |  |
|                        | 62      | 31.6                                 | 3.0                           | 31.6                    | 31.1 | 28.9 | 24.6 | 20.3 | 16.1 | 29.5                            | 3.4                           | 29.5                    | 29.2 | 27.1 | 22.9 | 18.6 | 14.4 |  |  |
|                        | 57      | 32.5                                 | 2.9                           | 32.5                    | 31.9 | 29.6 | 25.4 | 21.1 | 16.8 | 30.4                            | 3.4                           | 30.4                    | 29.8 | 27.7 | 23.4 | 19.2 | 15.0 |  |  |
| 1200                   | 77      | 43.3                                 | 2.9                           | 26.3                    | 19.6 | 14.8 | -    | -    | -    | 39.1                            | 3.3                           | 26.6                    | 18.6 | 13.8 | -    | -    | -    |  |  |
|                        | 72      | 39.0                                 | 2.8                           | 30.5                    | 25.7 | 21.0 | 16.2 | -    | -    | 35.4                            | 3.3                           | 29.2                    | 24.4 | 19.7 | 15.0 | -    | -    |  |  |
|                        | 67      | 34.8                                 | 2.7                           | 34.8                    | 31.9 | 27.1 | 22.3 | 17.5 | -    | 31.8                            | 3.3                           | 31.8                    | 30.3 | 25.7 | 21.0 | 16.3 | -    |  |  |
|                        | 62      | 31.5                                 | 2.9                           | 31.5                    | 31.5 | 30.8 | 26.1 | 21.3 | 16.5 | 29.3                            | 3.4                           | 29.3                    | 29.3 | 29.0 | 24.3 | 19.5 | 14.8 |  |  |
|                        | 57      | 32.4                                 | 2.9                           | 32.4                    | 32.4 | 31.7 | 26.9 | 22.1 | 17.3 | 30.1                            | 3.4                           | 30.1                    | 30.1 | 29.6 | 24.8 | 20.1 | 15.4 |  |  |
| 1350                   | 72      | 38.8                                 | 2.9                           | 31.7                    | 26.4 | 21.1 | 15.8 | -    | -    | 35.3                            | 3.3                           | 30.5                    | 25.3 | 20.0 | 14.8 | -    | -    |  |  |
|                        | 67      | 34.5                                 | 2.8                           | 34.5                    | 32.6 | 27.3 | 22.0 | 16.7 | -    | 31.6                            | 3.3                           | 31.6                    | 30.7 | 26.1 | 20.8 | 15.6 | -    |  |  |
|                        | 62      | 31.3                                 | 3.0                           | 31.3                    | 31.3 | 31.0 | 25.7 | 20.4 | 15.1 | 29.2                            | 3.4                           | 29.2                    | 29.2 | 29.1 | 23.8 | 18.6 | 13.3 |  |  |
|                        | 57      | 32.2                                 | 2.9                           | 32.2                    | 32.2 | 31.8 | 26.5 | 21.3 | 16.0 | 30.0                            | 3.4                           | 30.0                    | 30.0 | 29.7 | 24.5 | 19.3 | 14.0 |  |  |
| 1500                   | 72      | 38.5                                 | 2.9                           | 32.8                    | 27.0 | 21.3 | 15.5 | -    | -    | 35.2                            | 3.3                           | 31.9                    | 26.1 | 20.3 | 14.5 | -    | -    |  |  |
|                        | 67      | 34.3                                 | 2.9                           | 34.3                    | 33.3 | 27.5 | 21.7 | 15.9 | -    | 31.5                            | 3.3                           | 31.5                    | 31.0 | 26.5 | 20.7 | 14.9 | -    |  |  |
|                        | 62      | 31.1                                 | 3.0                           | 31.1                    | 31.1 | 31.1 | 25.3 | 19.6 | 13.8 | 29.1                            | 3.5                           | 29.1                    | 29.1 | 29.1 | 23.4 | 17.6 | 11.8 |  |  |
|                        | 57      | 32.0                                 | 3.0                           | 32.0                    | 32.0 | 32.0 | 26.2 | 20.4 | 14.6 | 29.9                            | 3.4                           | 29.9                    | 29.9 | 29.9 | 24.2 | 18.4 | 12.6 |  |  |

**DNZ036 (3.0 Ton) (Continued)**

| Air on Evaporator Coil |         | Temperature of Air on Condenser Coil |                               |                         |      |      |      |      |      |                                 |                               |                         |      |      |      |      |      |
|------------------------|---------|--------------------------------------|-------------------------------|-------------------------|------|------|------|------|------|---------------------------------|-------------------------------|-------------------------|------|------|------|------|------|
| CFM                    | WB (°F) | Net Capacity <sup>1</sup> (MBh)      | Total Input (kW) <sup>2</sup> | Sensible Capacity (MBh) |      |      |      |      |      | Net Capacity <sup>1</sup> (MBh) | Total Input (kW) <sup>2</sup> | Sensible Capacity (MBh) |      |      |      |      |      |
|                        |         |                                      |                               | Return Dry Bulb (°F)    |      |      |      |      |      |                                 |                               | Return Dry Bulb (°F)    |      |      |      |      |      |
|                        |         |                                      |                               | 90                      | 85   | 80   | 75   | 70   | 65   |                                 |                               | 90                      | 85   | 80   | 75   | 70   | 65   |
|                        |         |                                      |                               | <b>115°F</b>            |      |      |      |      |      | <b>125°F</b>                    |                               |                         |      |      |      |      |      |
| 750                    | 77      | 36.2                                 | 3.6                           | 14.4                    | 13.4 | 10.2 | -    | -    | -    | 32.4                            | 3.9                           | 13.9                    | 11.7 | 9.3  | -    | -    | -    |
|                        | 72      | 33.0                                 | 3.7                           | 21.5                    | 18.2 | 14.9 | 11.6 | -    | -    | 29.8                            | 4.1                           | 20.5                    | 17.2 | 13.9 | 10.6 | -    | -    |
|                        | 67      | 29.8                                 | 3.8                           | 28.6                    | 23.0 | 19.6 | 16.3 | 13.0 | -    | 27.1                            | 4.2                           | 27.1                    | 21.9 | 18.4 | 15.1 | 11.8 | -    |
|                        | 62      | 28.1                                 | 3.8                           | 28.1                    | 27.5 | 21.8 | 18.6 | 15.3 | 12.0 | 26.2                            | 4.3                           | 26.2                    | 26.1 | 20.3 | 17.0 | 13.7 | 10.4 |
| 900                    | 77      | 35.8                                 | 3.6                           | 18.5                    | 14.8 | 11.0 | -    | -    | -    | 31.9                            | 4.0                           | 18.3                    | 13.8 | 10.1 | -    | -    | -    |
|                        | 72      | 32.6                                 | 3.7                           | 23.6                    | 19.8 | 16.1 | 12.4 | -    | -    | 29.3                            | 4.1                           | 22.5                    | 18.7 | 15.0 | 11.3 | -    | -    |
|                        | 67      | 29.4                                 | 3.8                           | 28.6                    | 24.9 | 21.2 | 17.4 | 13.7 | -    | 26.6                            | 4.3                           | 26.6                    | 23.7 | 19.9 | 16.2 | 12.5 | -    |
|                        | 62      | 27.8                                 | 3.9                           | 27.8                    | 27.3 | 23.6 | 19.9 | 16.1 | 12.4 | 25.8                            | 4.3                           | 25.8                    | 25.7 | 21.9 | 18.2 | 14.5 | 10.8 |
|                        | 57      | 28.5                                 | 3.8                           | 28.5                    | 27.6 | 23.9 | 20.2 | 16.4 | 12.7 | 26.5                            | 4.2                           | 26.5                    | 25.8 | 22.0 | 18.3 | 14.6 | 10.9 |
| 1050                   | 77      | 35.4                                 | 3.7                           | 22.7                    | 16.2 | 11.9 | -    | -    | -    | 31.3                            | 4.1                           | 22.7                    | 15.9 | 10.9 | -    | -    | -    |
|                        | 72      | 32.2                                 | 3.8                           | 25.7                    | 21.5 | 17.3 | 13.1 | -    | -    | 28.7                            | 4.2                           | 24.4                    | 20.3 | 16.1 | 12.0 | -    | -    |
|                        | 67      | 29.1                                 | 3.8                           | 28.7                    | 26.8 | 22.7 | 18.5 | 14.3 | -    | 26.2                            | 4.4                           | 26.2                    | 25.4 | 21.4 | 17.3 | 13.1 | -    |
|                        | 62      | 27.4                                 | 3.9                           | 27.4                    | 27.2 | 25.4 | 21.2 | 17.0 | 12.8 | 25.3                            | 4.4                           | 25.3                    | 25.3 | 23.6 | 19.4 | 15.3 | 11.1 |
|                        | 57      | 28.2                                 | 3.8                           | 28.2                    | 27.7 | 25.7 | 21.5 | 17.3 | 13.1 | 26.0                            | 4.3                           | 26.0                    | 25.7 | 23.7 | 19.5 | 15.4 | 11.2 |
| 1200                   | 77      | 34.9                                 | 3.7                           | 26.9                    | 17.6 | 12.7 | -    | -    | -    | 30.8                            | 4.1                           | 27.1                    | 18.0 | 11.6 | -    | -    | -    |
|                        | 72      | 31.8                                 | 3.8                           | 27.8                    | 23.1 | 18.5 | 13.8 | -    | -    | 28.2                            | 4.3                           | 26.4                    | 21.8 | 17.3 | 12.7 | -    | -    |
|                        | 67      | 28.7                                 | 3.9                           | 28.7                    | 28.7 | 24.3 | 19.7 | 15.0 | -    | 25.7                            | 4.4                           | 25.7                    | 25.7 | 22.9 | 18.3 | 13.8 | -    |
|                        | 62      | 27.1                                 | 3.9                           | 27.1                    | 27.1 | 27.1 | 22.5 | 17.8 | 13.2 | 24.9                            | 4.4                           | 24.9                    | 24.9 | 24.9 | 20.7 | 16.1 | 11.5 |
|                        | 57      | 27.8                                 | 3.9                           | 27.8                    | 27.8 | 27.5 | 22.8 | 18.2 | 13.5 | 25.6                            | 4.4                           | 25.6                    | 25.6 | 25.4 | 20.8 | 16.2 | 11.6 |
| 1350                   | 72      | 31.9                                 | 3.8                           | 29.3                    | 24.1 | 18.9 | 13.7 | -    | -    | 28.4                            | 4.2                           | 28.2                    | 23.0 | 17.8 | 12.7 | -    | -    |
|                        | 67      | 28.8                                 | 3.9                           | 28.8                    | 28.8 | 24.9 | 19.7 | 14.5 | -    | 25.9                            | 4.4                           | 25.9                    | 25.9 | 23.7 | 18.5 | 13.3 | -    |
|                        | 62      | 27.1                                 | 3.9                           | 27.1                    | 27.1 | 27.1 | 21.9 | 16.7 | 11.5 | 25.0                            | 4.4                           | 25.0                    | 25.0 | 25.0 | 20.0 | 14.9 | 9.7  |
|                        | 57      | 27.9                                 | 3.8                           | 27.9                    | 27.9 | 27.7 | 22.5 | 17.3 | 12.0 | 25.7                            | 4.3                           | 25.7                    | 25.7 | 25.6 | 20.4 | 15.3 | 10.1 |
| 1500                   | 72      | 31.9                                 | 3.7                           | 30.9                    | 25.1 | 19.4 | 13.6 | -    | -    | 28.6                            | 4.2                           | 28.6                    | 24.2 | 18.4 | 12.6 | -    | -    |
|                        | 67      | 28.8                                 | 3.8                           | 28.8                    | 28.8 | 25.4 | 19.7 | 13.9 | -    | 26.0                            | 4.3                           | 26.0                    | 26.0 | 24.4 | 18.6 | 12.9 | -    |
|                        | 62      | 27.1                                 | 3.9                           | 27.1                    | 27.1 | 27.1 | 21.4 | 15.6 | 9.8  | 25.2                            | 4.3                           | 25.2                    | 25.2 | 25.2 | 19.4 | 13.6 | 7.9  |
|                        | 57      | 27.9                                 | 3.8                           | 27.9                    | 27.9 | 27.9 | 22.1 | 16.3 | 10.6 | 25.8                            | 4.3                           | 25.8                    | 25.8 | 25.8 | 20.1 | 14.3 | 8.5  |

1. These capacities are Net Capacities.
2. These ratings include the compressor, condenser fan and supply air blower motors.

**DNZ042 (3.5 Ton)**

| Air on Evaporator Coil |         | Temperature of Air on Condenser Coil |                               |                         |      |      |      |      |      |                                 |                               |                         |      |      |      |      |      |  |  |
|------------------------|---------|--------------------------------------|-------------------------------|-------------------------|------|------|------|------|------|---------------------------------|-------------------------------|-------------------------|------|------|------|------|------|--|--|
| CFM                    | WB (°F) | Net Capacity <sup>1</sup> (MBh)      | Total Input (kW) <sup>2</sup> | Sensible Capacity (MBh) |      |      |      |      |      | Net Capacity <sup>1</sup> (MBh) | Total Input (kW) <sup>2</sup> | Sensible Capacity (MBh) |      |      |      |      |      |  |  |
|                        |         |                                      |                               | Return Dry Bulb (°F)    |      |      |      |      |      |                                 |                               | Return Dry Bulb (°F)    |      |      |      |      |      |  |  |
|                        |         |                                      |                               | 90                      | 85   | 80   | 75   | 70   | 65   |                                 |                               | 90                      | 85   | 80   | 75   | 70   | 65   |  |  |
|                        |         |                                      |                               | <b>75°F</b>             |      |      |      |      |      | <b>85°F</b>                     |                               |                         |      |      |      |      |      |  |  |
| 875                    | 77      | 46.4                                 | 2.7                           | 21.7                    | 16.7 | 12.9 | -    | -    | -    | 45.8                            | 2.9                           | 20.8                    | 16.8 | 12.9 | -    | -    | -    |  |  |
|                        | 72      | 44.6                                 | 2.6                           | 27.5                    | 23.6 | 19.8 | 15.9 | -    | -    | 42.9                            | 2.9                           | 27.0                    | 23.1 | 19.1 | 15.2 | -    | -    |  |  |
|                        | 67      | 42.8                                 | 2.6                           | 33.3                    | 30.5 | 26.7 | 22.8 | 18.9 | -    | 39.9                            | 2.9                           | 33.2                    | 29.3 | 25.4 | 21.5 | 17.5 | -    |  |  |
|                        | 62      | 39.1                                 | 2.5                           | 39.1                    | 39.1 | 32.1 | 28.2 | 24.4 | 20.5 | 36.5                            | 2.8                           | 36.5                    | 36.5 | 30.4 | 26.4 | 22.5 | 18.6 |  |  |
| 1050                   | 57      | 48.9                                 | 2.7                           | 23.1                    | 18.7 | 14.3 | -    | -    | -    | 48.1                            | 3.0                           | 23.4                    | 18.9 | 14.4 | -    | -    | -    |  |  |
|                        | 77      | 47.0                                 | 2.7                           | 30.8                    | 26.4 | 22.0 | 17.6 | -    | -    | 45.0                            | 2.9                           | 30.4                    | 25.9 | 21.4 | 16.8 | -    | -    |  |  |
|                        | 72      | 45.0                                 | 2.6                           | 38.5                    | 34.1 | 29.7 | 25.3 | 20.9 | -    | 41.9                            | 2.9                           | 37.3                    | 32.8 | 28.3 | 23.8 | 19.3 | -    |  |  |
|                        | 67      | 41.2                                 | 2.6                           | 41.2                    | 41.2 | 35.8 | 31.4 | 27.0 | 22.6 | 38.4                            | 2.8                           | 38.4                    | 38.4 | 33.9 | 29.4 | 24.8 | 20.3 |  |  |
| 1225                   | 62      | 40.1                                 | 2.5                           | 40.1                    | 40.1 | 36.4 | 32.0 | 27.6 | 23.2 | 37.5                            | 2.8                           | 37.5                    | 37.5 | 33.7 | 29.2 | 24.7 | 20.2 |  |  |
|                        | 57      | 51.4                                 | 2.7                           | 24.5                    | 20.7 | 15.8 | -    | -    | -    | 50.4                            | 3.0                           | 26.1                    | 21.0 | 15.9 | -    | -    | -    |  |  |
|                        | 77      | 49.3                                 | 2.7                           | 34.1                    | 29.2 | 24.3 | 19.4 | -    | -    | 47.2                            | 2.9                           | 33.8                    | 28.7 | 23.6 | 18.5 | -    | -    |  |  |
|                        | 72      | 47.3                                 | 2.6                           | 43.6                    | 37.6 | 32.7 | 27.8 | 22.9 | -    | 43.9                            | 2.9                           | 41.4                    | 36.4 | 31.3 | 26.2 | 21.1 | -    |  |  |
| 1400                   | 67      | 43.3                                 | 2.6                           | 43.3                    | 43.3 | 39.4 | 34.5 | 29.6 | 24.7 | 40.2                            | 2.8                           | 40.2                    | 40.2 | 37.4 | 32.3 | 27.2 | 22.1 |  |  |
|                        | 62      | 42.1                                 | 2.6                           | 42.1                    | 42.1 | 40.1 | 35.2 | 30.3 | 25.4 | 39.3                            | 2.8                           | 39.3                    | 39.3 | 37.2 | 32.2 | 27.1 | 22.0 |  |  |
|                        | 57      | 53.8                                 | 2.7                           | 25.9                    | 22.7 | 17.3 | -    | -    | -    | 52.7                            | 3.0                           | 28.7                    | 23.1 | 17.4 | -    | -    | -    |  |  |
|                        | 72      | 51.7                                 | 2.7                           | 37.3                    | 31.9 | 26.5 | 21.1 | -    | -    | 49.3                            | 2.9                           | 37.1                    | 31.5 | 25.8 | 20.1 | -    | -    |  |  |
| 1515                   | 67      | 49.5                                 | 2.7                           | 48.8                    | 41.2 | 35.8 | 30.4 | 24.9 | -    | 45.9                            | 2.9                           | 45.5                    | 39.9 | 34.2 | 28.5 | 22.9 | -    |  |  |
|                        | 62      | 45.3                                 | 2.6                           | 45.3                    | 45.3 | 43.1 | 37.7 | 32.3 | 26.8 | 42.0                            | 2.8                           | 42.0                    | 42.0 | 40.9 | 35.2 | 29.5 | 23.9 |  |  |
|                        | 57      | 44.2                                 | 2.6                           | 44.2                    | 44.2 | 43.8 | 38.4 | 33.0 | 27.6 | 41.1                            | 2.8                           | 41.1                    | 41.1 | 40.7 | 35.1 | 29.4 | 23.7 |  |  |
|                        | 72      | 51.7                                 | 2.7                           | 38.5                    | 32.8 | 27.1 | 21.4 | -    | -    | 49.5                            | 3.0                           | 38.7                    | 32.7 | 26.7 | 20.6 | -    | -    |  |  |
| 1630                   | 67      | 49.5                                 | 2.7                           | 49.2                    | 42.3 | 36.6 | 30.8 | 25.1 | -    | 46.1                            | 2.9                           | 45.9                    | 41.4 | 35.4 | 29.3 | 23.3 | -    |  |  |
|                        | 62      | 45.4                                 | 2.6                           | 45.4                    | 45.4 | 44.2 | 38.5 | 32.8 | 27.0 | 42.2                            | 2.9                           | 42.2                    | 42.2 | 41.6 | 35.6 | 29.6 | 23.5 |  |  |
|                        | 57      | 44.2                                 | 2.6                           | 44.2                    | 44.2 | 44.0 | 38.3 | 32.5 | 26.8 | 41.2                            | 2.8                           | 41.2                    | 41.2 | 41.0 | 35.0 | 29.0 | 23.0 |  |  |
|                        | 72      | 51.7                                 | 2.7                           | 39.7                    | 33.7 | 27.7 | 21.6 | -    | -    | 49.6                            | 3.0                           | 40.3                    | 33.9 | 27.5 | 21.2 | -    | -    |  |  |
| 875                    | 67      | 49.6                                 | 2.7                           | 49.6                    | 43.4 | 37.4 | 31.3 | 25.3 | -    | 46.2                            | 2.9                           | 46.2                    | 42.9 | 36.5 | 30.1 | 23.8 | -    |  |  |
|                        | 62      | 45.4                                 | 2.6                           | 45.4                    | 45.4 | 45.4 | 39.3 | 33.3 | 27.3 | 42.3                            | 2.9                           | 42.3                    | 42.3 | 42.3 | 35.9 | 29.6 | 23.2 |  |  |
|                        | 57      | 44.2                                 | 2.6                           | 44.2                    | 44.2 | 44.2 | 38.1 | 32.1 | 26.1 | 41.3                            | 2.8                           | 41.3                    | 41.3 | 41.3 | 35.0 | 28.6 | 22.2 |  |  |
|                        | 72      | 51.7                                 | 2.7                           | 39.7                    | 33.7 | 27.7 | 21.6 | -    | -    | 49.6                            | 3.0                           | 40.3                    | 33.9 | 27.5 | 21.2 | -    | -    |  |  |
|                        |         |                                      |                               | <b>95°F</b>             |      |      |      |      |      | <b>105°F</b>                    |                               |                         |      |      |      |      |      |  |  |
| 875                    | 77      | 45.2                                 | 3.2                           | 19.8                    | 16.9 | 12.9 | -    | -    | -    | 42.2                            | 3.5                           | 19.4                    | 15.4 | 11.9 | -    | -    | -    |  |  |
|                        | 72      | 41.1                                 | 3.1                           | 26.5                    | 22.5 | 18.5 | 14.5 | -    | -    | 37.7                            | 3.4                           | 25.4                    | 21.3 | 17.2 | 13.1 | -    | -    |  |  |
|                        | 67      | 37.0                                 | 3.1                           | 33.2                    | 28.1 | 24.1 | 20.1 | 16.1 | -    | 33.3                            | 3.3                           | 31.4                    | 27.2 | 22.5 | 18.4 | 14.4 | -    |  |  |
|                        | 62      | 33.9                                 | 3.0                           | 33.9                    | 33.9 | 28.6 | 24.6 | 20.6 | 16.6 | 32.4                            | 3.3                           | 32.4                    | 32.4 | 26.7 | 22.6 | 18.5 | 14.4 |  |  |
| 1050                   | 57      | 47.3                                 | 3.2                           | 23.7                    | 19.1 | 14.4 | -    | -    | -    | 44.0                            | 3.5                           | 24.2                    | 18.1 | 13.4 | -    | -    | -    |  |  |
|                        | 77      | 43.1                                 | 3.2                           | 30.0                    | 25.3 | 20.7 | 16.1 | -    | -    | 39.4                            | 3.4                           | 28.9                    | 24.1 | 19.4 | 14.7 | -    | -    |  |  |
|                        | 72      | 38.8                                 | 3.1                           | 36.2                    | 31.6 | 26.9 | 22.3 | 17.7 | -    | 34.8                            | 3.3                           | 33.5                    | 30.1 | 25.4 | 20.6 | 15.9 | -    |  |  |
|                        | 67      | 35.5                                 | 3.1                           | 35.5                    | 35.5 | 32.0 | 27.3 | 22.7 | 18.0 | 33.9                            | 3.3                           | 33.9                    | 33.9 | 30.0 | 25.3 | 20.6 | 15.8 |  |  |
| 1225                   | 62      | 34.9                                 | 3.1                           | 34.9                    | 34.9 | 31.1 | 26.5 | 21.8 | 17.2 | 32.2                            | 3.3                           | 32.2                    | 32.2 | 28.3 | 23.5 | 18.8 | 14.1 |  |  |
|                        | 57      | 49.5                                 | 3.2                           | 27.7                    | 21.3 | 16.0 | -    | -    | -    | 45.9                            | 3.5                           | 29.1                    | 20.9 | 14.9 | -    | -    | -    |  |  |
|                        | 77      | 45.0                                 | 3.2                           | 33.5                    | 28.2 | 22.9 | 17.6 | -    | -    | 41.1                            | 3.4                           | 32.3                    | 27.0 | 21.6 | 16.2 | -    | -    |  |  |
|                        | 72      | 40.5                                 | 3.1                           | 39.3                    | 35.1 | 29.8 | 24.5 | 19.2 | -    | 36.3                            | 3.4                           | 35.6                    | 33.0 | 28.2 | 22.8 | 17.4 | -    |  |  |
| 1400                   | 67      | 37.1                                 | 3.1                           | 37.1                    | 37.1 | 35.3 | 30.0 | 24.8 | 19.5 | 35.3                            | 3.3                           | 35.3                    | 35.3 | 33.4 | 28.0 | 22.6 | 17.2 |  |  |
|                        | 62      | 36.4                                 | 3.1                           | 36.4                    | 36.4 | 34.4 | 29.1 | 23.8 | 18.6 | 33.6                            | 3.3                           | 33.6                    | 33.6 | 31.4 | 26.0 | 20.6 | 15.2 |  |  |
|                        | 57      | 51.6                                 | 3.3                           | 31.6                    | 23.4 | 17.5 | -    | -    | -    | 47.8                            | 3.5                           | 33.9                    | 23.7 | 16.4 | -    | -    | -    |  |  |
|                        | 72      | 46.9                                 | 3.2                           | 36.9                    | 31.0 | 25.1 | 19.1 | -    | -    | 42.8                            | 3.5                           | 35.8                    | 29.8 | 23.7 | 17.7 | -    | -    |  |  |
| 1515                   | 67      | 42.3                                 | 3.1                           | 42.3                    | 38.6 | 32.6 | 26.7 | 20.8 | -    | 37.8                            | 3.4                           | 37.8                    | 35.9 | 31.0 | 25.0 | 18.9 | -    |  |  |
|                        | 62      | 38.7                                 | 3.1                           | 38.7                    | 38.7 | 38.7 | 32.8 | 26.8 | 20.9 | 36.8                            | 3.3                           | 36.8                    | 36.8 | 36.8 | 30.7 | 24.7 | 18.6 |  |  |
|                        | 57      | 38.0                                 | 3.1                           | 38.0                    | 38.0 | 37.7 | 31.8 | 25.8 | 19.9 | 34.9                            | 3.3                           | 34.9                    | 34.9 | 34.6 | 28.5 | 22.5 | 16.4 |  |  |
|                        | 72      | 47.3                                 | 3.2                           | 38.9                    | 32.5 | 26.2 | 19.9 | -    | -    | 43.1                            | 3.5                           | 37.7                    | 31.3 | 24.8 | 18.3 | -    | -    |  |  |
| 1630                   | 67      | 42.6                                 | 3.2                           | 42.6                    | 40.5 | 34.1 | 27.8 | 21.5 | -    | 38.0                            | 3.4                           | 38.0                    | 37.0 | 32.4 | 26.0 | 19.5 | -    |  |  |
|                        | 62      | 39.0                                 | 3.1                           | 39.0                    | 39.0 | 39.0 | 32.7 | 26.3 | 20.0 | 37.0                            | 3.3                           | 37.0                    | 37.0 | 37.0 | 30.6 | 24.1 | 17.7 |  |  |
|                        | 57      | 38.3                                 | 3.1                           | 38.3                    | 38.3 | 38.1 | 31.8 | 25.5 | 19.2 | 35.2                            | 3.3                           | 35.2                    | 35.2 | 35.0 | 28.6 | 22.1 | 15.6 |  |  |
|                        | 72      | 47.6                                 | 3.2                           | 40.8                    | 34.1 | 27.4 | 20.7 | -    | -    | 43.4                            | 3.5                           | 39.6                    | 32.8 | 25.9 | 19.0 | -    | -    |  |  |
| 875                    | 67      | 42.9                                 | 3.2                           | 42.9                    | 42.4 | 35.7 | 29.0 | 22.3 | -    | 38.3                            | 3.4                           | 38.3                    | 38.1 | 33.8 | 27.0 | 20.1 | -    |  |  |
|                        | 62      | 39.2                                 | 3.1                           | 39.2                    | 39.2 | 39.2 | 32.5 | 25.8 | 19.1 | 37.3                            | 3.4                           | 37.3                    | 37.3 | 37.3 | 30.4 | 23.6 | 16.7 |  |  |
|                        | 57      | 38.5                                 | 3.1                           | 38.5                    | 38.5 | 38.5 | 31.8 | 25.1 | 18.4 | 35.5                            | 3.4                           | 35.5                    | 35.5 | 35.5 | 28.6 | 21.7 | 14.8 |  |  |
|                        | 72      | 47.6                                 | 3.2                           | 40.8                    | 34.1 | 27.4 | 20.7 | -    | -    | 43.4                            | 3.5                           | 39.6                    | 32.8 | 25.9 | 19.0 | -    | -    |  |  |

**DNZ042 (3.5 Ton) (Continued)**

| Air on Evaporator Coil |         | Temperature of Air on Condenser Coil |                               |                         |      |      |      |      |      |                                 |                               |                         |      |      |      |      |      |
|------------------------|---------|--------------------------------------|-------------------------------|-------------------------|------|------|------|------|------|---------------------------------|-------------------------------|-------------------------|------|------|------|------|------|
| CFM                    | WB (°F) | Net Capacity <sup>1</sup> (MBh)      | Total Input (kW) <sup>2</sup> | Sensible Capacity (MBh) |      |      |      |      |      | Net Capacity <sup>1</sup> (MBh) | Total Input (kW) <sup>2</sup> | Sensible Capacity (MBh) |      |      |      |      |      |
|                        |         |                                      |                               | Return Dry Bulb (°F)    |      |      |      |      |      |                                 |                               | Return Dry Bulb (°F)    |      |      |      |      |      |
|                        |         |                                      |                               | 90                      | 85   | 80   | 75   | 70   | 65   |                                 |                               | 90                      | 85   | 80   | 75   | 70   | 65   |
|                        |         |                                      |                               | <b>115°F</b>            |      |      |      |      |      | <b>125°F</b>                    |                               |                         |      |      |      |      |      |
| 875                    | 77      | 39.1                                 | 3.8                           | 18.9                    | 13.9 | 10.9 | -    | -    | -    | 36.1                            | 4.1                           | 20.4                    | 11.9 | 9.9  | -    | -    | -    |
|                        | 72      | 34.3                                 | 3.7                           | 24.2                    | 20.1 | 15.9 | 11.8 | -    | -    | 31.0                            | 3.9                           | 23.1                    | 18.9 | 14.6 | 10.4 | -    | -    |
|                        | 67      | 29.6                                 | 3.6                           | 29.6                    | 26.3 | 20.9 | 16.8 | 12.6 | -    | 25.8                            | 3.8                           | 25.8                    | 25.8 | 19.3 | 15.1 | 10.9 | -    |
|                        | 62      | 31.0                                 | 3.5                           | 31.0                    | 31.0 | 24.8 | 20.6 | 16.4 | 12.3 | 29.5                            | 3.8                           | 29.5                    | 29.5 | 22.9 | 18.6 | 14.4 | 10.1 |
| 1050                   | 57      | 40.7                                 | 3.8                           | 24.7                    | 17.2 | 12.4 | -    | -    | -    | 37.5                            | 4.1                           | 26.4                    | 16.6 | 11.4 | -    | -    | -    |
|                        | 77      | 35.8                                 | 3.7                           | 27.7                    | 22.9 | 18.1 | 13.2 | -    | -    | 32.1                            | 3.9                           | 26.6                    | 21.7 | 16.8 | 11.8 | -    | -    |
|                        | 72      | 30.8                                 | 3.6                           | 30.8                    | 28.6 | 23.8 | 18.9 | 14.1 | -    | 26.8                            | 3.8                           | 26.8                    | 26.8 | 22.2 | 17.3 | 12.3 | -    |
|                        | 67      | 32.3                                 | 3.5                           | 32.3                    | 32.3 | 28.1 | 23.3 | 18.5 | 13.6 | 30.7                            | 3.8                           | 30.7                    | 30.7 | 26.2 | 21.3 | 16.4 | 11.4 |
|                        | 62      | 29.5                                 | 3.6                           | 29.5                    | 29.5 | 25.4 | 20.6 | 15.7 | 10.9 | 26.9                            | 3.8                           | 26.9                    | 26.9 | 22.5 | 17.6 | 12.7 | 7.8  |
| 1225                   | 57      | 42.4                                 | 3.8                           | 30.5                    | 20.6 | 13.9 | -    | -    | -    | 38.8                            | 4.1                           | 32.5                    | 21.3 | 12.8 | -    | -    | -    |
|                        | 77      | 37.2                                 | 3.7                           | 31.2                    | 25.7 | 20.2 | 14.7 | -    | -    | 33.3                            | 4.0                           | 30.1                    | 24.5 | 18.9 | 13.3 | -    | -    |
|                        | 72      | 32.0                                 | 3.6                           | 32.0                    | 30.9 | 26.6 | 21.1 | 15.6 | -    | 27.7                            | 3.8                           | 27.7                    | 27.7 | 25.0 | 19.4 | 13.8 | -    |
|                        | 67      | 33.6                                 | 3.6                           | 33.6                    | 33.6 | 31.5 | 26.0 | 20.5 | 15.0 | 31.8                            | 3.8                           | 31.8                    | 31.8 | 29.6 | 24.0 | 18.3 | 12.7 |
|                        | 62      | 30.7                                 | 3.6                           | 30.7                    | 30.7 | 28.4 | 22.9 | 17.4 | 11.9 | 27.8                            | 3.8                           | 27.8                    | 27.8 | 25.4 | 19.8 | 14.2 | 8.6  |
| 1400                   | 57      | 44.0                                 | 3.8                           | 36.2                    | 23.9 | 15.3 | -    | -    | -    | 40.2                            | 4.1                           | 38.5                    | 26.0 | 14.3 | -    | -    | -    |
|                        | 72      | 38.6                                 | 3.7                           | 34.7                    | 28.6 | 22.4 | 16.2 | -    | -    | 34.4                            | 4.0                           | 33.6                    | 27.3 | 21.1 | 14.8 | -    | -    |
|                        | 67      | 33.2                                 | 3.6                           | 33.2                    | 33.2 | 29.4 | 23.3 | 17.1 | -    | 28.7                            | 3.8                           | 28.7                    | 28.7 | 27.8 | 21.6 | 15.3 | -    |
|                        | 62      | 34.8                                 | 3.6                           | 34.8                    | 34.8 | 34.8 | 28.7 | 22.5 | 16.3 | 32.9                            | 3.8                           | 32.9                    | 32.9 | 32.9 | 26.6 | 20.3 | 14.1 |
|                        | 57      | 31.9                                 | 3.6                           | 31.9                    | 31.9 | 31.5 | 25.3 | 19.1 | 13.0 | 28.8                            | 3.8                           | 28.8                    | 28.8 | 28.3 | 22.1 | 15.8 | 9.5  |
| 1515                   | 72      | 38.9                                 | 3.7                           | 36.6                    | 30.0 | 23.4 | 16.8 | -    | -    | 34.7                            | 4.0                           | 34.7                    | 28.7 | 22.0 | 15.2 | -    | -    |
|                        | 67      | 33.5                                 | 3.6                           | 33.5                    | 33.5 | 30.7 | 24.1 | 17.5 | -    | 29.0                            | 3.9                           | 29.0                    | 29.0 | 29.0 | 22.3 | 15.5 | -    |
|                        | 62      | 35.1                                 | 3.6                           | 35.1                    | 35.1 | 35.1 | 28.5 | 21.9 | 15.3 | 33.2                            | 3.8                           | 33.2                    | 33.2 | 33.2 | 26.4 | 19.7 | 12.9 |
|                        | 57      | 32.1                                 | 3.6                           | 32.1                    | 32.1 | 31.9 | 25.3 | 18.7 | 12.1 | 29.1                            | 3.8                           | 29.1                    | 29.1 | 28.8 | 22.1 | 15.3 | 8.5  |
| 1630                   | 72      | 39.2                                 | 3.7                           | 38.5                    | 31.4 | 24.4 | 17.3 | -    | -    | 35.0                            | 4.0                           | 35.0                    | 30.1 | 22.9 | 15.6 | -    | -    |
|                        | 67      | 33.8                                 | 3.6                           | 33.8                    | 33.8 | 32.0 | 25.0 | 17.9 | -    | 29.2                            | 3.9                           | 29.2                    | 29.2 | 29.2 | 23.0 | 15.8 | -    |
|                        | 62      | 35.4                                 | 3.6                           | 35.4                    | 35.4 | 35.4 | 28.3 | 21.3 | 14.2 | 33.5                            | 3.9                           | 33.5                    | 33.5 | 33.5 | 26.2 | 19.0 | 11.8 |
|                        | 57      | 32.4                                 | 3.6                           | 32.4                    | 32.4 | 32.4 | 25.3 | 18.3 | 11.2 | 29.3                            | 3.9                           | 29.3                    | 29.3 | 29.3 | 22.1 | 14.8 | 7.6  |

1. These capacities are Net Capacities.
2. These ratings include the compressor, condenser fan and supply air blower motors.



**DNZ048 (4.0 Ton)**

| Air on Evaporator Coil |         | Temperature of Air on Condenser Coil |                               |                         |      |      |      |      |      |                                 |                               |                         |      |      |      |      |      |
|------------------------|---------|--------------------------------------|-------------------------------|-------------------------|------|------|------|------|------|---------------------------------|-------------------------------|-------------------------|------|------|------|------|------|
| CFM                    | WB (°F) | Net Capacity <sup>1</sup> (MBh)      | Total Input (kW) <sup>2</sup> | Sensible Capacity (MBh) |      |      |      |      |      | Net Capacity <sup>1</sup> (MBh) | Total Input (kW) <sup>2</sup> | Sensible Capacity (MBh) |      |      |      |      |      |
|                        |         |                                      |                               | Return Dry Bulb (°F)    |      |      |      |      |      |                                 |                               | Return Dry Bulb (°F)    |      |      |      |      |      |
|                        |         |                                      |                               | 90                      | 85   | 80   | 75   | 70   | 65   |                                 |                               | 90                      | 85   | 80   | 75   | 70   | 65   |
|                        |         |                                      |                               | <b>75°F</b>             |      |      |      |      |      | <b>85°F</b>                     |                               |                         |      |      |      |      |      |
| 1000                   | 77      | 53.0                                 | 2.7                           | 26.5                    | 21.2 | 16.8 | -    | -    | -    | 52.6                            | 3.1                           | 24.9                    | 20.8 | 16.3 | -    | -    | -    |
|                        | 72      | 50.4                                 | 2.7                           | 32.3                    | 27.9 | 23.5 | 19.1 | -    | -    | 49.3                            | 3.1                           | 31.8                    | 27.4 | 22.9 | 18.4 | -    | -    |
|                        | 67      | 47.8                                 | 2.7                           | 38.1                    | 34.6 | 30.2 | 25.8 | 21.4 | -    | 46.0                            | 3.1                           | 38.8                    | 33.9 | 29.5 | 25.0 | 20.5 | -    |
|                        | 62      | 43.4                                 | 2.7                           | 43.4                    | 40.9 | 34.6 | 30.2 | 25.8 | 21.4 | 41.8                            | 3.1                           | 41.8                    | 40.5 | 33.7 | 29.3 | 24.8 | 20.3 |
| 1200                   | 77      | 55.6                                 | 2.7                           | 28.7                    | 23.6 | 18.6 | -    | -    | -    | 54.5                            | 3.2                           | 28.3                    | 23.2 | 18.0 | -    | -    | -    |
|                        | 72      | 52.8                                 | 2.7                           | 36.2                    | 31.1 | 26.0 | 20.9 | -    | -    | 51.0                            | 3.1                           | 35.6                    | 30.4 | 25.3 | 20.1 | -    | -    |
|                        | 67      | 50.1                                 | 2.7                           | 43.6                    | 38.5 | 33.4 | 28.4 | 23.3 | -    | 47.6                            | 3.1                           | 42.9                    | 37.7 | 32.5 | 27.4 | 22.2 | -    |
|                        | 62      | 45.5                                 | 2.7                           | 45.5                    | 43.8 | 38.3 | 33.2 | 28.1 | 23.0 | 43.3                            | 3.1                           | 43.3                    | 42.4 | 37.3 | 32.1 | 26.9 | 21.8 |
|                        | 57      | 44.1                                 | 2.7                           | 44.1                    | 44.1 | 40.0 | 34.9 | 29.9 | 24.8 | 42.6                            | 3.1                           | 42.6                    | 42.6 | 38.1 | 33.0 | 27.8 | 22.7 |
| 1400                   | 77      | 58.1                                 | 2.8                           | 30.9                    | 26.1 | 20.3 | -    | -    | -    | 56.4                            | 3.2                           | 31.8                    | 25.5 | 19.7 | -    | -    | -    |
|                        | 72      | 55.3                                 | 2.8                           | 40.0                    | 34.3 | 28.5 | 22.7 | -    | -    | 52.8                            | 3.2                           | 39.3                    | 33.5 | 27.6 | 21.8 | -    | -    |
|                        | 67      | 52.4                                 | 2.7                           | 49.1                    | 42.4 | 36.7 | 30.9 | 25.1 | -    | 49.3                            | 3.1                           | 46.9                    | 41.4 | 35.6 | 29.7 | 23.9 | -    |
|                        | 62      | 47.6                                 | 2.8                           | 47.6                    | 46.7 | 42.0 | 36.2 | 30.4 | 24.7 | 44.8                            | 3.1                           | 44.8                    | 44.4 | 40.8 | 34.9 | 29.1 | 23.2 |
|                        | 57      | 46.1                                 | 2.7                           | 46.1                    | 46.1 | 43.9 | 38.1 | 32.4 | 26.6 | 44.0                            | 3.1                           | 44.0                    | 44.0 | 41.7 | 35.9 | 30.0 | 24.2 |
| 1600                   | 77      | 60.7                                 | 2.8                           | 33.1                    | 28.6 | 22.1 | -    | -    | -    | 58.3                            | 3.2                           | 35.2                    | 27.9 | 21.4 | -    | -    | -    |
|                        | 72      | 57.7                                 | 2.8                           | 43.9                    | 37.4 | 31.0 | 24.6 | -    | -    | 54.6                            | 3.2                           | 43.1                    | 36.6 | 30.0 | 23.5 | -    | -    |
|                        | 67      | 54.7                                 | 2.8                           | 54.7                    | 46.3 | 39.9 | 33.4 | 27.0 | -    | 50.9                            | 3.2                           | 50.9                    | 45.2 | 38.7 | 32.1 | 25.6 | -    |
|                        | 62      | 49.6                                 | 2.8                           | 49.6                    | 49.6 | 45.7 | 39.2 | 32.8 | 26.3 | 46.3                            | 3.2                           | 46.3                    | 46.3 | 44.3 | 37.8 | 31.2 | 24.7 |
|                        | 57      | 48.1                                 | 2.7                           | 48.1                    | 48.1 | 47.7 | 41.3 | 34.9 | 28.4 | 45.5                            | 3.1                           | 45.5                    | 45.5 | 45.3 | 38.8 | 32.3 | 25.7 |
| 1750                   | 72      | 56.9                                 | 2.8                           | 45.7                    | 38.8 | 32.0 | 25.1 | -    | -    | 54.1                            | 3.2                           | 45.0                    | 38.0 | 30.9 | 23.9 | -    | -    |
|                        | 67      | 53.9                                 | 2.8                           | 53.9                    | 48.2 | 41.1 | 34.2 | 27.3 | -    | 50.5                            | 3.1                           | 50.5                    | 46.9 | 39.8 | 32.8 | 25.8 | -    |
|                        | 62      | 49.0                                 | 2.8                           | 49.0                    | 49.0 | 47.0 | 40.1 | 33.2 | 26.3 | 45.9                            | 3.2                           | 45.9                    | 45.9 | 44.9 | 37.9 | 30.9 | 23.9 |
|                        | 57      | 47.5                                 | 2.7                           | 47.5                    | 47.5 | 47.3 | 40.4 | 33.5 | 26.6 | 45.1                            | 3.1                           | 45.1                    | 45.1 | 45.1 | 38.1 | 31.0 | 24.0 |
| 1900                   | 72      | 56.1                                 | 2.8                           | 47.6                    | 40.2 | 32.9 | 25.6 | -    | -    | 53.7                            | 3.2                           | 46.8                    | 39.3 | 31.9 | 24.4 | -    | -    |
|                        | 67      | 53.2                                 | 2.7                           | 53.2                    | 50.0 | 42.3 | 35.0 | 27.7 | -    | 50.1                            | 3.1                           | 50.1                    | 48.5 | 41.0 | 33.6 | 26.1 | -    |
|                        | 62      | 48.3                                 | 2.8                           | 48.3                    | 48.3 | 48.3 | 41.0 | 33.7 | 26.3 | 45.5                            | 3.1                           | 45.5                    | 45.5 | 45.5 | 38.0 | 30.6 | 23.1 |
|                        | 57      | 46.8                                 | 2.7                           | 46.8                    | 46.8 | 46.8 | 39.5 | 32.2 | 24.8 | 44.8                            | 3.1                           | 44.8                    | 44.8 | 44.8 | 37.3 | 29.8 | 22.3 |
|                        |         |                                      |                               | <b>95°F</b>             |      |      |      |      |      | <b>105°F</b>                    |                               |                         |      |      |      |      |      |
| 1000                   | 77      | 52.1                                 | 3.6                           | 23.2                    | 20.4 | 15.8 | -    | -    | -    | 49.1                            | 4.1                           | 21.6                    | 19.7 | 15.2 | -    | -    | -    |
|                        | 72      | 48.1                                 | 3.5                           | 31.3                    | 26.8 | 22.3 | 17.7 | -    | -    | 45.2                            | 4.1                           | 30.3                    | 25.8 | 21.4 | 16.9 | -    | -    |
|                        | 67      | 44.1                                 | 3.5                           | 39.5                    | 33.2 | 28.7 | 24.2 | 19.6 | -    | 41.4                            | 4.1                           | 39.0                    | 32.0 | 27.5 | 23.1 | 18.6 | -    |
|                        | 62      | 40.1                                 | 3.5                           | 40.1                    | 40.1 | 32.9 | 28.3 | 23.8 | 19.3 | 38.1                            | 4.1                           | 38.1                    | 38.1 | 31.2 | 26.8 | 22.3 | 17.8 |
| 1200                   | 77      | 53.4                                 | 3.6                           | 27.9                    | 22.7 | 17.4 | -    | -    | -    | 50.1                            | 4.1                           | 27.1                    | 21.9 | 16.7 | -    | -    | -    |
|                        | 72      | 49.3                                 | 3.5                           | 35.0                    | 29.8 | 24.5 | 19.3 | -    | -    | 46.2                            | 4.1                           | 33.9                    | 28.7 | 23.5 | 18.3 | -    | -    |
|                        | 67      | 45.2                                 | 3.5                           | 42.1                    | 36.9 | 31.6 | 26.4 | 21.1 | -    | 42.3                            | 4.1                           | 40.7                    | 35.5 | 30.3 | 25.1 | 19.9 | -    |
|                        | 62      | 41.0                                 | 3.5                           | 41.0                    | 41.0 | 36.2 | 31.0 | 25.8 | 20.5 | 38.9                            | 4.1                           | 38.9                    | 38.9 | 34.3 | 29.1 | 23.9 | 18.7 |
|                        | 57      | 41.1                                 | 3.5                           | 41.1                    | 41.1 | 36.3 | 31.0 | 25.8 | 20.5 | 39.3                            | 4.1                           | 39.3                    | 39.3 | 34.5 | 29.3 | 24.1 | 18.9 |
| 1400                   | 77      | 54.6                                 | 3.6                           | 32.6                    | 25.0 | 19.0 | -    | -    | -    | 51.1                            | 4.1                           | 32.6                    | 24.1 | 18.2 | -    | -    | -    |
|                        | 72      | 50.4                                 | 3.6                           | 38.6                    | 32.7 | 26.8 | 20.9 | -    | -    | 47.2                            | 4.1                           | 37.5                    | 31.5 | 25.6 | 19.7 | -    | -    |
|                        | 67      | 46.2                                 | 3.5                           | 44.7                    | 40.5 | 34.5 | 28.6 | 22.7 | -    | 43.2                            | 4.1                           | 42.4                    | 38.9 | 33.0 | 27.1 | 21.1 | -    |
|                        | 62      | 42.0                                 | 3.5                           | 42.0                    | 42.0 | 39.6 | 33.7 | 27.7 | 21.8 | 39.7                            | 4.1                           | 39.7                    | 39.7 | 37.4 | 31.5 | 25.6 | 19.6 |
|                        | 57      | 42.0                                 | 3.5                           | 42.0                    | 42.0 | 39.6 | 33.7 | 27.7 | 21.8 | 40.1                            | 4.1                           | 40.1                    | 40.1 | 37.6 | 31.6 | 25.7 | 19.8 |
| 1600                   | 77      | 55.8                                 | 3.6                           | 37.4                    | 27.3 | 20.7 | -    | -    | -    | 52.2                            | 4.1                           | 38.1                    | 26.4 | 19.7 | -    | -    | -    |
|                        | 72      | 51.5                                 | 3.6                           | 42.3                    | 35.7 | 29.1 | 22.4 | -    | -    | 48.1                            | 4.1                           | 41.1                    | 34.4 | 27.7 | 21.1 | -    | -    |
|                        | 67      | 47.2                                 | 3.5                           | 47.2                    | 44.1 | 37.5 | 30.8 | 24.2 | -    | 44.1                            | 4.1                           | 44.1                    | 42.4 | 35.7 | 29.1 | 22.4 | -    |
|                        | 62      | 42.9                                 | 3.5                           | 42.9                    | 42.9 | 42.9 | 36.3 | 29.7 | 23.1 | 40.5                            | 4.1                           | 40.5                    | 40.5 | 40.5 | 33.8 | 27.2 | 20.5 |
|                        | 57      | 42.9                                 | 3.5                           | 42.9                    | 42.9 | 42.9 | 36.3 | 29.7 | 23.1 | 40.9                            | 4.1                           | 40.9                    | 40.9 | 40.7 | 34.0 | 27.4 | 20.7 |
| 1750                   | 72      | 51.4                                 | 3.6                           | 44.2                    | 37.1 | 29.9 | 22.8 | -    | -    | 48.0                            | 4.1                           | 43.1                    | 36.0 | 28.8 | 21.7 | -    | -    |
|                        | 67      | 47.1                                 | 3.5                           | 47.1                    | 45.5 | 38.6 | 31.5 | 24.4 | -    | 43.9                            | 4.1                           | 43.9                    | 43.1 | 37.2 | 30.0 | 22.8 | -    |
|                        | 62      | 42.8                                 | 3.5                           | 42.8                    | 42.8 | 42.8 | 35.7 | 28.6 | 21.4 | 40.4                            | 4.0                           | 40.4                    | 40.4 | 40.4 | 33.2 | 26.0 | 18.9 |
|                        | 57      | 42.8                                 | 3.5                           | 42.8                    | 42.8 | 42.8 | 35.7 | 28.6 | 21.5 | 40.8                            | 4.1                           | 40.8                    | 40.8 | 40.7 | 33.5 | 26.3 | 19.1 |
| 1900                   | 72      | 51.2                                 | 3.6                           | 46.1                    | 38.4 | 30.8 | 23.2 | -    | -    | 47.8                            | 4.1                           | 45.2                    | 37.6 | 30.0 | 22.3 | -    | -    |
|                        | 67      | 47.0                                 | 3.5                           | 47.0                    | 47.0 | 39.7 | 32.1 | 24.5 | -    | 43.8                            | 4.1                           | 43.8                    | 43.8 | 38.6 | 30.9 | 23.3 | -    |
|                        | 62      | 42.7                                 | 3.5                           | 42.7                    | 42.7 | 42.7 | 35.1 | 27.5 | 19.8 | 40.2                            | 4.0                           | 40.2                    | 40.2 | 40.2 | 32.6 | 24.9 | 17.2 |
|                        | 57      | 42.7                                 | 3.5                           | 42.7                    | 42.7 | 42.7 | 35.1 | 27.5 | 19.9 | 40.6                            | 4.1                           | 40.6                    | 40.6 | 40.6 | 32.9 | 25.3 | 17.6 |

**DNZ048 (4.0 Ton) (Continued)**

| Air on Evaporator Coil |         | Temperature of Air on Condenser Coil |                               |                         |      |      |      |      |      |                                 |                               |                         |      |      |      |      |      |  |
|------------------------|---------|--------------------------------------|-------------------------------|-------------------------|------|------|------|------|------|---------------------------------|-------------------------------|-------------------------|------|------|------|------|------|--|
|                        |         | Net Capacity <sup>1</sup> (MBh)      | Total Input (kW) <sup>2</sup> | Sensible Capacity (MBh) |      |      |      |      |      | Net Capacity <sup>1</sup> (MBh) | Total Input (kW) <sup>2</sup> | Sensible Capacity (MBh) |      |      |      |      |      |  |
|                        |         |                                      |                               | Return Dry Bulb (°F)    |      |      |      |      |      |                                 |                               | Return Dry Bulb (°F)    |      |      |      |      |      |  |
| CFM                    | WB (°F) |                                      |                               | 90                      | 85   | 80   | 75   | 70   | 65   |                                 |                               | 90                      | 85   | 80   | 75   | 70   | 65   |  |
|                        |         | <b>115°F</b>                         |                               |                         |      |      |      |      |      |                                 | <b>125°F</b>                  |                         |      |      |      |      |      |  |
| 1000                   | 77      | 46.0                                 | 4.7                           | 20.1                    | 19.0 | 14.6 | -    | -    | -    | 42.9                            | 5.3                           | 20.4                    | 17.6 | 13.9 | -    | -    | -    |  |
|                        | 72      | 42.3                                 | 4.7                           | 29.2                    | 24.9 | 20.5 | 16.1 | -    | -    | 39.4                            | 5.3                           | 28.2                    | 23.9 | 19.6 | 15.3 | -    | -    |  |
|                        | 67      | 38.7                                 | 4.6                           | 38.4                    | 30.8 | 26.4 | 22.0 | 17.6 | -    | 36.0                            | 5.2                           | 36.0                    | 29.5 | 25.2 | 20.9 | 16.6 | -    |  |
|                        | 62      | 36.1                                 | 4.6                           | 36.1                    | 36.1 | 29.6 | 25.2 | 20.8 | 16.4 | 34.0                            | 5.2                           | 34.0                    | 34.0 | 27.9 | 23.6 | 19.3 | 15.0 |  |
| 1200                   | 77      | 46.8                                 | 4.7                           | 26.3                    | 21.1 | 16.0 | -    | -    | -    | 43.6                            | 5.3                           | 26.8                    | 20.4 | 15.2 | -    | -    | -    |  |
|                        | 72      | 43.1                                 | 4.7                           | 32.8                    | 27.6 | 22.4 | 17.3 | -    | -    | 40.1                            | 5.2                           | 31.7                    | 26.5 | 21.4 | 16.3 | -    | -    |  |
|                        | 67      | 39.4                                 | 4.6                           | 39.2                    | 34.1 | 28.9 | 23.8 | 18.6 | -    | 36.5                            | 5.2                           | 36.5                    | 32.7 | 27.6 | 22.5 | 17.3 | -    |  |
|                        | 62      | 36.7                                 | 4.6                           | 36.7                    | 36.7 | 32.4 | 27.2 | 22.1 | 16.9 | 34.6                            | 5.2                           | 34.6                    | 34.6 | 30.5 | 25.4 | 20.2 | 15.1 |  |
|                        | 57      | 37.4                                 | 4.6                           | 37.4                    | 37.4 | 32.7 | 27.5 | 22.4 | 17.2 | 35.6                            | 5.2                           | 35.6                    | 35.6 | 30.9 | 25.8 | 20.7 | 15.5 |  |
| 1400                   | 77      | 47.7                                 | 4.7                           | 32.5                    | 23.3 | 17.4 | -    | -    | -    | 44.3                            | 5.3                           | 33.1                    | 23.1 | 16.5 | -    | -    | -    |  |
|                        | 72      | 43.9                                 | 4.7                           | 36.3                    | 30.4 | 24.4 | 18.5 | -    | -    | 40.7                            | 5.2                           | 35.1                    | 29.2 | 23.2 | 17.3 | -    | -    |  |
|                        | 67      | 40.1                                 | 4.6                           | 40.1                    | 37.4 | 31.5 | 25.5 | 19.6 | -    | 37.1                            | 5.2                           | 37.1                    | 35.9 | 29.9 | 24.0 | 18.1 | -    |  |
|                        | 62      | 37.4                                 | 4.6                           | 37.4                    | 37.4 | 35.3 | 29.3 | 23.4 | 17.4 | 35.1                            | 5.1                           | 35.1                    | 35.1 | 33.1 | 27.2 | 21.2 | 15.3 |  |
|                        | 57      | 38.1                                 | 4.6                           | 38.1                    | 38.1 | 35.6 | 29.6 | 23.7 | 17.8 | 36.2                            | 5.1                           | 36.2                    | 36.2 | 33.5 | 27.6 | 21.7 | 15.7 |  |
| 1600                   | 77      | 48.6                                 | 4.7                           | 38.8                    | 25.5 | 18.8 | -    | -    | -    | 45.0                            | 5.2                           | 39.4                    | 25.9 | 17.8 | -    | -    | -    |  |
|                        | 72      | 44.7                                 | 4.7                           | 39.8                    | 33.1 | 26.4 | 19.7 | -    | -    | 41.3                            | 5.2                           | 38.6                    | 31.8 | 25.1 | 18.3 | -    | -    |  |
|                        | 67      | 40.9                                 | 4.6                           | 40.9                    | 40.7 | 34.0 | 27.3 | 20.6 | -    | 37.7                            | 5.1                           | 37.7                    | 37.7 | 32.3 | 25.5 | 18.8 | -    |  |
|                        | 62      | 38.1                                 | 4.6                           | 38.1                    | 38.1 | 38.1 | 31.4 | 24.7 | 18.0 | 35.7                            | 5.1                           | 35.7                    | 35.7 | 35.7 | 28.9 | 22.2 | 15.4 |  |
|                        | 57      | 38.8                                 | 4.6                           | 38.8                    | 38.8 | 38.4 | 31.7 | 25.0 | 18.3 | 36.8                            | 5.1                           | 36.8                    | 36.8 | 36.2 | 29.4 | 22.7 | 15.9 |  |
| 1750                   | 72      | 44.5                                 | 4.7                           | 42.1                    | 35.0 | 27.7 | 20.5 | -    | -    | 41.1                            | 5.2                           | 41.0                    | 33.9 | 26.6 | 19.4 | -    | -    |  |
|                        | 67      | 40.7                                 | 4.6                           | 40.7                    | 40.6 | 35.7 | 28.5 | 21.3 | -    | 37.5                            | 5.1                           | 37.5                    | 37.5 | 34.3 | 27.0 | 19.8 | -    |  |
|                        | 62      | 38.0                                 | 4.6                           | 38.0                    | 38.0 | 38.0 | 30.7 | 23.5 | 16.3 | 35.5                            | 5.1                           | 35.5                    | 35.5 | 35.5 | 28.3 | 21.0 | 13.7 |  |
|                        | 57      | 38.7                                 | 4.6                           | 38.7                    | 38.7 | 38.5 | 31.3 | 24.0 | 16.8 | 36.6                            | 5.1                           | 36.6                    | 36.6 | 36.3 | 29.0 | 21.8 | 14.5 |  |
| 1900                   | 72      | 44.4                                 | 4.6                           | 44.4                    | 36.8 | 29.1 | 21.3 | -    | -    | 40.9                            | 5.2                           | 40.9                    | 36.0 | 28.2 | 20.4 | -    | -    |  |
|                        | 67      | 40.6                                 | 4.6                           | 40.6                    | 40.6 | 37.5 | 29.7 | 22.0 | -    | 37.3                            | 5.1                           | 37.3                    | 37.3 | 36.3 | 28.6 | 20.8 | -    |  |
|                        | 62      | 37.8                                 | 4.6                           | 37.8                    | 37.8 | 37.8 | 30.1 | 22.3 | 14.6 | 35.4                            | 5.1                           | 35.4                    | 35.4 | 35.4 | 27.6 | 19.8 | 12.0 |  |
|                        | 57      | 38.5                                 | 4.6                           | 38.5                    | 38.5 | 38.5 | 30.8 | 23.1 | 15.3 | 36.4                            | 5.1                           | 36.4                    | 36.4 | 36.4 | 28.6 | 20.9 | 13.1 |  |

1. These capacities are Net Capacities.
2. These ratings include the compressor, condenser fan and supply air blower motors.

**DNZ060 (5.0 Ton)**

| Air on Evaporator Coil |         | Temperature of Air on Condenser Coil |                               |                         |      |      |      |      |      |                                 |                               |                         |      |      |      |      |      |
|------------------------|---------|--------------------------------------|-------------------------------|-------------------------|------|------|------|------|------|---------------------------------|-------------------------------|-------------------------|------|------|------|------|------|
| CFM                    | WB (°F) | Net Capacity <sup>1</sup> (MBh)      | Total Input (kW) <sup>2</sup> | Sensible Capacity (MBh) |      |      |      |      |      | Net Capacity <sup>1</sup> (MBh) | Total Input (kW) <sup>2</sup> | Sensible Capacity (MBh) |      |      |      |      |      |
|                        |         |                                      |                               | Return Dry Bulb (°F)    |      |      |      |      |      |                                 |                               | Return Dry Bulb (°F)    |      |      |      |      |      |
|                        |         |                                      |                               | 90                      | 85   | 80   | 75   | 70   | 65   |                                 |                               | 90                      | 85   | 80   | 75   | 70   | 65   |
|                        |         |                                      |                               | 75°F                    |      |      |      |      |      | 85°F                            |                               |                         |      |      |      |      |      |
| 1375                   | 77      | 67.6                                 | 3.6                           | 34.0                    | 27.8 | 22.5 | -    | -    | -    | 65.0                            | 4.0                           | 32.3                    | 26.7 | 21.1 | -    | -    | -    |
|                        | 72      | 62.2                                 | 3.5                           | 40.4                    | 35.1 | 29.8 | 24.6 | -    | -    | 60.3                            | 4.0                           | 40.1                    | 34.5 | 28.9 | 23.3 | -    | -    |
|                        | 67      | 56.9                                 | 3.4                           | 46.7                    | 42.4 | 37.1 | 31.8 | 26.6 | -    | 55.6                            | 3.9                           | 47.9                    | 42.3 | 36.7 | 31.1 | 25.5 | -    |
|                        | 62      | 52.9                                 | 3.4                           | 52.9                    | 52.9 | 44.9 | 39.6 | 34.4 | 29.1 | 51.5                            | 3.9                           | 51.5                    | 51.5 | 43.9 | 38.3 | 32.7 | 27.1 |
| 1500                   | 77      | 70.0                                 | 3.5                           | 36.3                    | 30.4 | 24.5 | -    | -    | -    | 66.5                            | 4.0                           | 34.9                    | 28.8 | 22.7 | -    | -    | -    |
|                        | 72      | 64.5                                 | 3.5                           | 44.2                    | 38.3 | 32.4 | 26.6 | -    | -    | 61.7                            | 4.0                           | 43.3                    | 37.2 | 31.2 | 25.1 | -    | -    |
|                        | 67      | 59.0                                 | 3.4                           | 52.2                    | 46.3 | 40.4 | 34.5 | 28.6 | -    | 56.9                            | 3.9                           | 51.7                    | 45.7 | 39.6 | 33.5 | 27.4 | -    |
|                        | 62      | 54.8                                 | 3.4                           | 54.8                    | 54.8 | 48.9 | 43.0 | 37.1 | 31.2 | 52.7                            | 3.9                           | 52.7                    | 52.7 | 47.3 | 41.2 | 35.1 | 29.1 |
|                        | 57      | 53.6                                 | 3.4                           | 53.6                    | 53.6 | 49.3 | 43.5 | 37.6 | 31.7 | 52.6                            | 3.9                           | 52.6                    | 52.6 | 47.5 | 41.4 | 35.3 | 29.2 |
| 1625                   | 77      | 72.5                                 | 3.5                           | 38.5                    | 32.9 | 26.5 | -    | -    | -    | 68.0                            | 4.0                           | 37.5                    | 30.9 | 24.4 | -    | -    | -    |
|                        | 72      | 66.8                                 | 3.5                           | 48.0                    | 41.6 | 35.1 | 28.6 | -    | -    | 63.1                            | 3.9                           | 46.5                    | 40.0 | 33.4 | 26.9 | -    | -    |
|                        | 67      | 61.1                                 | 3.4                           | 57.6                    | 50.2 | 43.7 | 37.2 | 30.7 | -    | 58.2                            | 3.9                           | 55.6                    | 49.0 | 42.4 | 35.9 | 29.3 | -    |
|                        | 62      | 56.8                                 | 3.4                           | 56.8                    | 56.8 | 52.8 | 46.3 | 39.8 | 33.3 | 53.9                            | 3.9                           | 53.9                    | 53.9 | 50.7 | 44.1 | 37.6 | 31.0 |
|                        | 57      | 55.5                                 | 3.4                           | 55.5                    | 55.5 | 53.3 | 46.8 | 40.4 | 33.9 | 53.8                            | 3.9                           | 53.8                    | 53.8 | 50.9 | 44.3 | 37.8 | 31.2 |
| 1750                   | 77      | 75.0                                 | 3.5                           | 40.7                    | 35.5 | 28.4 | -    | -    | -    | 69.5                            | 4.0                           | 40.1                    | 33.1 | 26.0 | -    | -    | -    |
|                        | 72      | 69.1                                 | 3.5                           | 51.9                    | 44.8 | 37.7 | 30.6 | -    | -    | 64.5                            | 3.9                           | 49.7                    | 42.7 | 35.7 | 28.6 | -    | -    |
|                        | 67      | 63.2                                 | 3.4                           | 63.1                    | 54.1 | 47.0 | 39.9 | 32.8 | -    | 59.4                            | 3.9                           | 59.4                    | 52.3 | 45.3 | 38.3 | 31.2 | -    |
|                        | 62      | 58.8                                 | 3.4                           | 58.8                    | 58.8 | 56.8 | 49.7 | 42.6 | 35.5 | 55.1                            | 3.9                           | 55.1                    | 55.1 | 54.1 | 47.1 | 40.0 | 33.0 |
|                        | 57      | 57.5                                 | 3.4                           | 57.5                    | 57.5 | 57.3 | 50.2 | 43.1 | 36.0 | 55.0                            | 3.9                           | 55.0                    | 55.0 | 54.3 | 47.3 | 40.2 | 33.2 |
| 1875                   | 72      | 68.5                                 | 3.5                           | 52.6                    | 45.0 | 37.3 | 29.7 | -    | -    | 64.5                            | 3.9                           | 50.7                    | 43.2 | 35.7 | 28.1 | -    | -    |
|                        | 67      | 62.7                                 | 3.4                           | 62.6                    | 54.1 | 46.5 | 38.9 | 31.3 | -    | 59.4                            | 3.9                           | 59.4                    | 52.8 | 45.3 | 37.8 | 30.2 | -    |
|                        | 62      | 58.2                                 | 3.4                           | 58.2                    | 58.2 | 56.2 | 48.6 | 41.0 | 33.4 | 55.1                            | 3.9                           | 55.1                    | 55.1 | 54.1 | 46.6 | 39.0 | 31.5 |
|                        | 57      | 57.0                                 | 3.4                           | 57.0                    | 57.0 | 56.8 | 49.2 | 41.6 | 34.0 | 55.0                            | 3.9                           | 55.0                    | 55.0 | 54.3 | 46.8 | 39.2 | 31.7 |
| 2000                   | 72      | 67.9                                 | 3.5                           | 53.2                    | 45.1 | 37.0 | 28.9 | -    | -    | 64.5                            | 3.9                           | 51.7                    | 43.7 | 35.7 | 27.6 | -    | -    |
|                        | 67      | 62.1                                 | 3.4                           | 62.1                    | 54.2 | 46.1 | 38.0 | 29.8 | -    | 59.4                            | 3.9                           | 59.4                    | 53.3 | 45.3 | 37.3 | 29.2 | -    |
|                        | 62      | 57.7                                 | 3.4                           | 57.7                    | 57.7 | 55.7 | 47.6 | 39.5 | 31.4 | 55.1                            | 3.9                           | 55.1                    | 55.1 | 54.1 | 46.1 | 38.0 | 30.0 |
|                        | 57      | 56.4                                 | 3.4                           | 56.4                    | 56.4 | 56.3 | 48.2 | 40.0 | 31.9 | 55.0                            | 3.9                           | 55.0                    | 55.0 | 54.3 | 46.3 | 38.2 | 30.2 |
|                        |         |                                      |                               | 95°F                    |      |      |      |      |      | 105°F                           |                               |                         |      |      |      |      |      |
| 1375                   | 77      | 62.5                                 | 4.4                           | 30.6                    | 25.6 | 19.7 | -    | -    | -    | 59.6                            | 5.2                           | 29.3                    | 24.8 | 18.8 | -    | -    | -    |
|                        | 72      | 58.4                                 | 4.4                           | 39.8                    | 33.9 | 28.0 | 22.1 | -    | -    | 55.2                            | 5.1                           | 38.7                    | 32.8 | 26.8 | 20.8 | -    | -    |
|                        | 67      | 54.3                                 | 4.4                           | 49.1                    | 42.3 | 36.3 | 30.4 | 24.5 | -    | 50.8                            | 5.1                           | 48.2                    | 40.8 | 34.8 | 28.8 | 22.9 | -    |
|                        | 62      | 50.2                                 | 4.4                           | 50.2                    | 50.2 | 42.8 | 36.9 | 31.0 | 25.1 | 47.8                            | 5.1                           | 47.8                    | 47.8 | 40.5 | 34.5 | 28.5 | 22.5 |
| 1500                   | 77      | 63.0                                 | 4.4                           | 33.5                    | 27.3 | 21.0 | -    | -    | -    | 60.1                            | 5.1                           | 33.4                    | 26.5 | 20.1 | -    | -    | -    |
|                        | 72      | 58.9                                 | 4.4                           | 42.4                    | 36.2 | 29.9 | 23.6 | -    | -    | 55.7                            | 5.1                           | 41.5                    | 35.1 | 28.7 | 22.3 | -    | -    |
|                        | 67      | 54.8                                 | 4.4                           | 51.3                    | 45.0 | 38.8 | 32.5 | 26.2 | -    | 51.2                            | 5.1                           | 49.5                    | 43.7 | 37.3 | 30.9 | 24.5 | -    |
|                        | 62      | 50.6                                 | 4.4                           | 50.6                    | 50.6 | 45.7 | 39.4 | 33.2 | 26.9 | 48.2                            | 5.1                           | 48.2                    | 48.2 | 43.3 | 37.0 | 30.6 | 24.2 |
|                        | 57      | 51.6                                 | 4.3                           | 51.6                    | 51.6 | 45.6 | 39.3 | 33.0 | 26.8 | 48.9                            | 5.0                           | 48.9                    | 48.9 | 43.1 | 36.7 | 30.3 | 24.0 |
| 1625                   | 77      | 63.5                                 | 4.4                           | 36.5                    | 28.9 | 22.3 | -    | -    | -    | 60.7                            | 5.1                           | 37.5                    | 28.3 | 21.5 | -    | -    | -    |
|                        | 72      | 59.4                                 | 4.4                           | 45.0                    | 38.4 | 31.8 | 25.1 | -    | -    | 56.2                            | 5.1                           | 44.2                    | 37.4 | 30.6 | 23.8 | -    | -    |
|                        | 67      | 55.2                                 | 4.4                           | 53.5                    | 47.8 | 41.2 | 34.6 | 28.0 | -    | 51.7                            | 5.1                           | 50.8                    | 46.5 | 39.8 | 33.0 | 26.2 | -    |
|                        | 62      | 51.0                                 | 4.4                           | 51.0                    | 51.0 | 48.6 | 41.9 | 35.3 | 28.7 | 48.6                            | 5.1                           | 48.6                    | 48.6 | 46.2 | 39.4 | 32.6 | 25.9 |
|                        | 57      | 52.0                                 | 4.4                           | 52.0                    | 52.0 | 48.4 | 41.8 | 35.2 | 28.6 | 49.4                            | 5.0                           | 49.4                    | 49.4 | 45.9 | 39.2 | 32.4 | 25.6 |
| 1750                   | 77      | 64.0                                 | 4.4                           | 39.5                    | 30.6 | 23.6 | -    | -    | -    | 61.2                            | 5.1                           | 41.6                    | 30.0 | 22.8 | -    | -    | -    |
|                        | 72      | 59.8                                 | 4.4                           | 47.6                    | 40.6 | 33.6 | 26.7 | -    | -    | 56.6                            | 5.1                           | 46.9                    | 39.7 | 32.5 | 25.4 | -    | -    |
|                        | 67      | 55.7                                 | 4.4                           | 55.7                    | 50.6 | 43.6 | 36.7 | 29.7 | -    | 52.1                            | 5.0                           | 52.1                    | 49.4 | 42.2 | 35.1 | 27.9 | -    |
|                        | 62      | 51.4                                 | 4.4                           | 51.4                    | 51.4 | 51.4 | 44.4 | 37.5 | 30.5 | 49.1                            | 5.0                           | 49.1                    | 49.1 | 49.1 | 41.9 | 34.7 | 27.5 |
|                        | 57      | 52.5                                 | 4.4                           | 52.5                    | 52.5 | 51.3 | 44.3 | 37.4 | 30.4 | 49.8                            | 5.0                           | 49.8                    | 49.8 | 48.8 | 41.6 | 34.4 | 27.3 |
| 1875                   | 72      | 60.4                                 | 4.4                           | 48.9                    | 41.4 | 34.0 | 26.5 | -    | -    | 56.9                            | 5.1                           | 48.1                    | 40.4 | 32.7 | 25.0 | -    | -    |
|                        | 67      | 56.2                                 | 4.4                           | 56.2                    | 51.6 | 44.1 | 36.6 | 29.1 | -    | 52.4                            | 5.0                           | 52.4                    | 50.0 | 42.5 | 34.8 | 27.1 | -    |
|                        | 62      | 51.9                                 | 4.4                           | 51.9                    | 51.9 | 51.9 | 44.5 | 37.0 | 29.5 | 49.3                            | 5.0                           | 49.3                    | 49.3 | 49.3 | 41.6 | 34.0 | 26.3 |
|                        | 57      | 53.0                                 | 4.4                           | 53.0                    | 53.0 | 51.8 | 44.4 | 36.9 | 29.4 | 50.1                            | 5.0                           | 50.1                    | 50.1 | 49.1 | 41.4 | 33.7 | 26.0 |
| 2000                   | 72      | 61.1                                 | 4.4                           | 50.3                    | 42.3 | 34.3 | 26.3 | -    | -    | 57.3                            | 5.1                           | 49.3                    | 41.1 | 32.9 | 24.7 | -    | -    |
|                        | 67      | 56.8                                 | 4.4                           | 56.8                    | 52.5 | 44.5 | 36.6 | 28.6 | -    | 52.7                            | 5.0                           | 52.7                    | 50.5 | 42.7 | 34.5 | 26.3 | -    |
|                        | 62      | 52.5                                 | 4.4                           | 52.5                    | 52.5 | 52.5 | 44.5 | 36.5 | 28.6 | 49.6                            | 5.0                           | 49.6                    | 49.6 | 49.6 | 41.4 | 33.2 | 25.0 |
|                        | 57      | 53.5                                 | 4.4                           | 53.5                    | 53.5 | 52.3 | 44.4 | 36.4 | 28.4 | 50.3                            | 5.0                           | 50.3                    | 50.3 | 49.3 | 41.1 | 32.9 | 24.7 |

**DNZ060 (5.0 Ton) (Continued)**

| Air on Evaporator Coil |         | Temperature of Air on Condenser Coil |                               |                         |      |      |      |      |      |                                 |                               |                         |      |      |      |      |      |
|------------------------|---------|--------------------------------------|-------------------------------|-------------------------|------|------|------|------|------|---------------------------------|-------------------------------|-------------------------|------|------|------|------|------|
| CFM                    | WB (°F) | Net Capacity <sup>1</sup> (MBh)      | Total Input (kW) <sup>2</sup> | Sensible Capacity (MBh) |      |      |      |      |      | Net Capacity <sup>1</sup> (MBh) | Total Input (kW) <sup>2</sup> | Sensible Capacity (MBh) |      |      |      |      |      |
|                        |         |                                      |                               | Return Dry Bulb (°F)    |      |      |      |      |      |                                 |                               | Return Dry Bulb (°F)    |      |      |      |      |      |
|                        |         |                                      |                               | 90                      | 85   | 80   | 75   | 70   | 65   |                                 |                               | 90                      | 85   | 80   | 75   | 70   | 65   |
|                        |         |                                      |                               | <b>115°F</b>            |      |      |      |      |      | <b>125°F</b>                    |                               |                         |      |      |      |      |      |
| 1375                   | 77      | 56.7                                 | 5.9                           | 28.1                    | 24.0 | 17.9 | -    | -    | -    | 53.9                            | 6.6                           | 29.4                    | 22.1 | 17.1 | -    | -    | -    |
|                        | 72      | 52.0                                 | 5.8                           | 37.6                    | 31.6 | 25.6 | 19.6 | -    | -    | 48.8                            | 6.5                           | 36.5                    | 30.5 | 24.4 | 18.3 | -    | -    |
|                        | 67      | 47.2                                 | 5.7                           | 47.2                    | 39.3 | 33.3 | 27.3 | 21.2 | -    | 43.7                            | 6.4                           | 43.7                    | 37.8 | 31.7 | 25.7 | 19.6 | -    |
|                        | 62      | 45.4                                 | 5.8                           | 45.4                    | 45.4 | 38.1 | 32.1 | 26.0 | 20.0 | 43.1                            | 6.5                           | 43.1                    | 43.1 | 35.7 | 29.6 | 23.6 | 17.5 |
| 1500                   | 77      | 57.3                                 | 5.9                           | 33.3                    | 25.8 | 19.3 | -    | -    | -    | 54.4                            | 6.6                           | 34.9                    | 25.0 | 18.5 | -    | -    | -    |
|                        | 72      | 52.5                                 | 5.8                           | 40.5                    | 34.0 | 27.5 | 21.1 | -    | -    | 49.3                            | 6.5                           | 39.5                    | 33.0 | 26.4 | 19.8 | -    | -    |
|                        | 67      | 47.7                                 | 5.7                           | 47.7                    | 42.3 | 35.8 | 29.3 | 22.9 | -    | 44.1                            | 6.4                           | 44.1                    | 40.9 | 34.3 | 27.7 | 21.2 | -    |
|                        | 62      | 45.9                                 | 5.8                           | 45.9                    | 45.9 | 41.0 | 34.5 | 28.0 | 21.5 | 43.5                            | 6.5                           | 43.5                    | 43.5 | 38.6 | 32.0 | 25.4 | 18.9 |
|                        | 57      | 46.3                                 | 5.7                           | 46.3                    | 46.3 | 40.6 | 34.1 | 27.6 | 21.2 | 43.6                            | 6.4                           | 43.6                    | 43.6 | 38.1 | 31.5 | 24.9 | 18.4 |
| 1625                   | 77      | 57.8                                 | 5.8                           | 38.6                    | 27.6 | 20.7 | -    | -    | -    | 55.0                            | 6.5                           | 40.4                    | 27.9 | 19.8 | -    | -    | -    |
|                        | 72      | 53.0                                 | 5.8                           | 43.3                    | 36.4 | 29.5 | 22.6 | -    | -    | 49.8                            | 6.4                           | 42.5                    | 35.4 | 28.4 | 21.3 | -    | -    |
|                        | 67      | 48.1                                 | 5.7                           | 48.1                    | 45.2 | 38.3 | 31.4 | 24.5 | -    | 44.6                            | 6.3                           | 44.6                    | 43.9 | 36.9 | 29.8 | 22.7 | -    |
|                        | 62      | 46.3                                 | 5.7                           | 46.3                    | 46.3 | 43.8 | 36.9 | 30.0 | 23.1 | 43.9                            | 6.4                           | 43.9                    | 43.9 | 41.5 | 34.4 | 27.3 | 20.2 |
|                        | 57      | 46.7                                 | 5.7                           | 46.7                    | 46.7 | 43.4 | 36.5 | 29.6 | 22.7 | 44.0                            | 6.4                           | 44.0                    | 44.0 | 40.9 | 33.9 | 26.8 | 19.7 |
| 1750                   | 77      | 58.3                                 | 5.8                           | 43.8                    | 29.4 | 22.0 | -    | -    | -    | 55.5                            | 6.5                           | 46.0                    | 30.8 | 21.2 | -    | -    | -    |
|                        | 72      | 53.4                                 | 5.7                           | 46.2                    | 38.8 | 31.4 | 24.0 | -    | -    | 50.2                            | 6.4                           | 45.5                    | 37.9 | 30.3 | 22.7 | -    | -    |
|                        | 67      | 48.6                                 | 5.7                           | 48.6                    | 48.2 | 40.8 | 33.5 | 26.1 | -    | 45.0                            | 6.3                           | 45.0                    | 45.0 | 39.4 | 31.9 | 24.3 | -    |
|                        | 62      | 46.7                                 | 5.7                           | 46.7                    | 46.7 | 46.7 | 39.3 | 32.0 | 24.6 | 44.4                            | 6.4                           | 44.4                    | 44.4 | 44.4 | 36.8 | 29.2 | 21.6 |
|                        | 57      | 47.1                                 | 5.7                           | 47.1                    | 47.1 | 46.3 | 38.9 | 31.5 | 24.2 | 44.5                            | 6.3                           | 44.5                    | 44.5 | 43.8 | 36.2 | 28.6 | 21.0 |
| 1875                   | 72      | 53.4                                 | 5.7                           | 47.2                    | 39.3 | 31.4 | 23.5 | -    | -    | 49.9                            | 6.4                           | 46.4                    | 38.3 | 30.2 | 22.0 | -    | -    |
|                        | 67      | 48.6                                 | 5.7                           | 48.6                    | 48.4 | 40.8 | 32.9 | 25.0 | -    | 44.7                            | 6.3                           | 44.7                    | 44.7 | 39.2 | 31.1 | 23.0 | -    |
|                        | 62      | 46.7                                 | 5.7                           | 46.7                    | 46.7 | 46.7 | 38.8 | 30.9 | 23.0 | 44.1                            | 6.4                           | 44.1                    | 44.1 | 44.1 | 36.0 | 27.9 | 19.7 |
|                        | 57      | 47.1                                 | 5.7                           | 47.1                    | 47.1 | 46.3 | 38.4 | 30.5 | 22.6 | 44.2                            | 6.3                           | 44.2                    | 44.2 | 43.5 | 35.4 | 27.3 | 19.2 |
| 2000                   | 72      | 53.4                                 | 5.7                           | 48.3                    | 39.9 | 31.4 | 23.0 | -    | -    | 49.6                            | 6.4                           | 47.3                    | 38.6 | 30.0 | 21.3 | -    | -    |
|                        | 67      | 48.6                                 | 5.7                           | 48.6                    | 48.6 | 40.8 | 32.4 | 24.0 | -    | 44.4                            | 6.3                           | 44.4                    | 44.4 | 39.0 | 30.3 | 21.7 | -    |
|                        | 62      | 46.7                                 | 5.7                           | 46.7                    | 46.7 | 46.7 | 38.3 | 29.9 | 21.4 | 43.8                            | 6.4                           | 43.8                    | 43.8 | 43.8 | 35.2 | 26.5 | 17.9 |
|                        | 57      | 47.1                                 | 5.7                           | 47.1                    | 47.1 | 46.3 | 37.9 | 29.4 | 21.0 | 43.9                            | 6.3                           | 43.9                    | 43.9 | 43.3 | 34.6 | 25.9 | 17.3 |

1. These capacities are Net Capacities.
2. These ratings include the compressor, condenser fan and supply air blower motors.

**DNQ024-060 Cooling Capacities**

**DNQ024 (2.0 Ton)**

| Air on Evaporator Coil |         | Temperature of Air on Condenser Coil |                               |                         |      |      |      |      |      |                                 |                               |                         |      |      |      |      |      |  |  |
|------------------------|---------|--------------------------------------|-------------------------------|-------------------------|------|------|------|------|------|---------------------------------|-------------------------------|-------------------------|------|------|------|------|------|--|--|
| CFM                    | WB (°F) | Net Capacity <sup>1</sup> (MBh)      | Total Input (kW) <sup>2</sup> | Sensible Capacity (MBh) |      |      |      |      |      | Net Capacity <sup>1</sup> (MBh) | Total Input (kW) <sup>2</sup> | Sensible Capacity (MBh) |      |      |      |      |      |  |  |
|                        |         |                                      |                               | Return Dry Bulb (°F)    |      |      |      |      |      |                                 |                               | Return Dry Bulb (°F)    |      |      |      |      |      |  |  |
|                        |         |                                      |                               | 90                      | 85   | 80   | 75   | 70   | 65   |                                 |                               | 90                      | 85   | 80   | 75   | 70   | 65   |  |  |
|                        |         | <b>75°F</b>                          |                               |                         |      |      |      |      |      |                                 | <b>85°F</b>                   |                         |      |      |      |      |      |  |  |
| 600                    | 77      | 34.0                                 | 1.5                           | 10.5                    | 8.0  | 5.6  | -    | -    | -    | 30.5                            | 1.7                           | 11.9                    | 9.4  | 6.9  | -    | -    | -    |  |  |
|                        | 72      | 30.5                                 | 1.5                           | 16.4                    | 14.0 | 11.5 | 9.1  | -    | -    | 27.7                            | 1.7                           | 16.7                    | 14.2 | 11.7 | 9.3  | -    | -    |  |  |
|                        | 67      | 27.0                                 | 1.6                           | 22.3                    | 19.9 | 17.5 | 15.0 | 12.6 | -    | 25.0                            | 1.7                           | 21.5                    | 19.0 | 16.5 | 14.1 | 11.6 | -    |  |  |
|                        | 62      | 24.4                                 | 1.6                           | 24.4                    | 19.7 | 17.0 | 14.5 | 12.1 | 9.7  | 22.6                            | 1.7                           | 22.6                    | 20.3 | 17.8 | 15.3 | 12.8 | 10.4 |  |  |
|                        | 57      | 25.1                                 | 1.6                           | 25.1                    | 21.5 | 18.8 | 16.4 | 13.9 | 11.5 | 22.9                            | 1.7                           | 22.9                    | 21.2 | 18.7 | 16.2 | 13.7 | 11.3 |  |  |
| 700                    | 77      | 35.0                                 | 1.5                           | 12.7                    | 9.5  | 6.8  | -    | -    | -    | 31.5                            | 1.7                           | 13.8                    | 10.7 | 7.9  | -    | -    | -    |  |  |
|                        | 72      | 31.4                                 | 1.5                           | 19.1                    | 16.4 | 13.8 | 11.1 | -    | -    | 28.6                            | 1.7                           | 18.9                    | 16.2 | 13.4 | 10.7 | -    | -    |  |  |
|                        | 67      | 27.8                                 | 1.6                           | 25.4                    | 23.4 | 20.8 | 18.1 | 15.5 | -    | 25.7                            | 1.7                           | 24.0                    | 21.7 | 18.9 | 16.2 | 13.4 | -    |  |  |
|                        | 62      | 25.0                                 | 1.6                           | 25.0                    | 22.7 | 20.3 | 17.7 | 15.1 | 12.4 | 23.3                            | 1.7                           | 23.3                    | 22.1 | 20.3 | 17.6 | 14.8 | 12.1 |  |  |
|                        | 57      | 25.8                                 | 1.6                           | 25.8                    | 24.0 | 22.4 | 19.8 | 17.1 | 14.5 | 23.7                            | 1.7                           | 23.7                    | 22.8 | 21.4 | 18.6 | 15.9 | 13.1 |  |  |
| 800                    | 77      | 35.9                                 | 1.5                           | 15.0                    | 10.9 | 8.0  | -    | -    | -    | 32.4                            | 1.7                           | 15.8                    | 11.9 | 8.9  | -    | -    | -    |  |  |
|                        | 72      | 32.2                                 | 1.6                           | 21.8                    | 18.9 | 16.0 | 13.2 | -    | -    | 29.5                            | 1.7                           | 21.1                    | 18.1 | 15.1 | 12.1 | -    | -    |  |  |
|                        | 67      | 28.5                                 | 1.6                           | 28.5                    | 26.9 | 24.1 | 21.2 | 18.3 | -    | 26.5                            | 1.7                           | 26.5                    | 24.3 | 21.3 | 18.3 | 15.3 | -    |  |  |
|                        | 62      | 25.7                                 | 1.6                           | 25.7                    | 25.7 | 23.7 | 20.9 | 18.0 | 15.2 | 24.0                            | 1.7                           | 24.0                    | 24.0 | 22.9 | 19.9 | 16.9 | 13.8 |  |  |
|                        | 57      | 26.4                                 | 1.6                           | 26.4                    | 26.4 | 26.1 | 23.2 | 20.4 | 17.5 | 24.4                            | 1.7                           | 24.4                    | 24.4 | 24.1 | 21.1 | 18.0 | 15.0 |  |  |
| 900                    | 72      | 33.0                                 | 1.5                           | 22.3                    | 18.9 | 15.5 | 12.1 | -    | -    | 29.8                            | 1.7                           | 21.9                    | 18.5 | 15.1 | 11.7 | -    | -    |  |  |
|                        | 67      | 29.2                                 | 1.6                           | 29.2                    | 26.7 | 23.4 | 20.0 | 16.6 | -    | 26.8                            | 1.7                           | 26.8                    | 24.7 | 21.3 | 17.9 | 14.5 | -    |  |  |
|                        | 62      | 26.3                                 | 1.6                           | 26.3                    | 26.3 | 23.7 | 20.3 | 16.9 | 13.6 | 24.3                            | 1.7                           | 24.3                    | 24.3 | 22.9 | 19.5 | 16.1 | 12.7 |  |  |
|                        | 57      | 27.1                                 | 1.6                           | 27.1                    | 27.1 | 26.1 | 22.7 | 19.3 | 15.9 | 24.6                            | 1.7                           | 24.6                    | 24.6 | 24.1 | 20.7 | 17.3 | 13.9 |  |  |
|                        |         |                                      | <b>95°F</b>                   |                         |      |      |      |      |      |                                 |                               | <b>105°F</b>            |      |      |      |      |      |  |  |
| 600                    | 77      | 27.0                                 | 1.9                           | 13.3                    | 10.8 | 8.3  | -    | -    | -    | 25.1                            | 2.0                           | 13.3                    | 10.4 | 7.9  | -    | -    | -    |  |  |
|                        | 72      | 25.0                                 | 1.9                           | 17.0                    | 14.5 | 12.0 | 9.4  | -    | -    | 22.7                            | 2.0                           | 16.3                    | 13.7 | 11.2 | 8.7  | -    | -    |  |  |
|                        | 67      | 22.9                                 | 1.9                           | 20.7                    | 18.2 | 15.6 | 13.1 | 10.6 | -    | 20.4                            | 2.0                           | 19.2                    | 17.1 | 14.6 | 12.1 | 9.6  | -    |  |  |
|                        | 62      | 20.8                                 | 1.8                           | 20.8                    | 20.8 | 18.6 | 16.1 | 13.6 | 11.0 | 19.0                            | 2.0                           | 19.0                    | 19.0 | 16.9 | 14.4 | 11.9 | 9.4  |  |  |
|                        | 57      | 20.8                                 | 1.8                           | 20.8                    | 20.8 | 18.6 | 16.1 | 13.6 | 11.1 | 19.1                            | 2.0                           | 19.1                    | 19.1 | 17.0 | 14.5 | 12.0 | 9.4  |  |  |
| 800                    | 77      | 27.9                                 | 1.9                           | 14.9                    | 11.9 | 9.0  | -    | -    | -    | 25.8                            | 2.0                           | 15.4                    | 11.5 | 8.6  | -    | -    | -    |  |  |
|                        | 72      | 25.8                                 | 1.9                           | 18.8                    | 15.9 | 13.1 | 10.2 | -    | -    | 23.3                            | 2.0                           | 17.9                    | 15.0 | 12.2 | 9.4  | -    | -    |  |  |
|                        | 67      | 23.7                                 | 1.9                           | 22.6                    | 19.9 | 17.1 | 14.3 | 11.4 | -    | 20.9                            | 2.0                           | 20.3                    | 18.6 | 15.9 | 13.1 | 10.3 | -    |  |  |
|                        | 62      | 21.6                                 | 1.8                           | 21.6                    | 21.6 | 20.3 | 17.5 | 14.6 | 11.8 | 19.6                            | 2.0                           | 19.6                    | 19.6 | 18.4 | 15.6 | 12.8 | 10.0 |  |  |
|                        | 57      | 21.6                                 | 1.8                           | 21.6                    | 21.6 | 20.3 | 17.5 | 14.6 | 11.8 | 19.6                            | 2.0                           | 19.6                    | 19.6 | 18.5 | 15.7 | 12.9 | 10.0 |  |  |
| 800                    | 77      | 28.9                                 | 1.9                           | 16.5                    | 13.0 | 9.8  | -    | -    | -    | 26.4                            | 2.1                           | 17.4                    | 12.6 | 9.2  | -    | -    | -    |  |  |
|                        | 72      | 26.7                                 | 1.9                           | 20.5                    | 17.3 | 14.2 | 11.0 | -    | -    | 23.9                            | 2.0                           | 19.4                    | 16.3 | 13.2 | 10.1 | -    | -    |  |  |
|                        | 67      | 24.5                                 | 1.9                           | 24.5                    | 21.7 | 18.6 | 15.4 | 12.2 | -    | 21.4                            | 2.0                           | 21.4                    | 20.1 | 17.2 | 14.1 | 11.0 | -    |  |  |
|                        | 62      | 22.3                                 | 1.8                           | 22.3                    | 22.3 | 22.0 | 18.9 | 15.7 | 12.5 | 20.1                            | 2.0                           | 20.1                    | 20.1 | 19.9 | 16.8 | 13.7 | 10.6 |  |  |
|                        | 57      | 22.3                                 | 1.8                           | 22.3                    | 22.3 | 22.1 | 18.9 | 15.7 | 12.5 | 20.1                            | 2.0                           | 20.1                    | 20.1 | 20.0 | 16.9 | 13.8 | 10.6 |  |  |
| 900                    | 72      | 26.6                                 | 1.9                           | 21.5                    | 18.1 | 14.7 | 11.3 | -    | -    | 24.0                            | 2.0                           | 20.4                    | 17.0 | 13.7 | 10.4 | -    | -    |  |  |
|                        | 67      | 24.4                                 | 1.9                           | 24.4                    | 22.7 | 19.3 | 15.8 | 12.4 | -    | 21.5                            | 2.0                           | 21.5                    | 20.6 | 17.8 | 14.5 | 11.2 | -    |  |  |
|                        | 62      | 22.2                                 | 1.8                           | 22.2                    | 22.2 | 22.1 | 18.7 | 15.3 | 11.9 | 20.1                            | 2.0                           | 20.1                    | 20.1 | 20.0 | 16.7 | 13.3 | 10.0 |  |  |
|                        | 57      | 22.2                                 | 1.8                           | 22.2                    | 22.2 | 22.1 | 18.7 | 15.3 | 11.9 | 20.2                            | 2.0                           | 20.2                    | 20.2 | 20.1 | 16.7 | 13.4 | 10.1 |  |  |

**DNQ024 (2.0 Ton) (Continued)**

| Air on Evaporator Coil |         | Temperature of Air on Condenser Coil |                               |                         |      |      |      |      |     |                                 |                               |                         |      |      |      |     |     |
|------------------------|---------|--------------------------------------|-------------------------------|-------------------------|------|------|------|------|-----|---------------------------------|-------------------------------|-------------------------|------|------|------|-----|-----|
| CFM                    | WB (°F) | Net Capacity <sup>1</sup> (MBh)      | Total Input (kW) <sup>2</sup> | Sensible Capacity (MBh) |      |      |      |      |     | Net Capacity <sup>1</sup> (MBh) | Total Input (kW) <sup>2</sup> | Sensible Capacity (MBh) |      |      |      |     |     |
|                        |         |                                      |                               | Return Dry Bulb (°F)    |      |      |      |      |     |                                 |                               | Return Dry Bulb (°F)    |      |      |      |     |     |
|                        |         |                                      |                               | 90                      | 85   | 80   | 75   | 70   | 65  |                                 |                               | 90                      | 85   | 80   | 75   | 70  | 65  |
|                        |         |                                      |                               | <b>115°F</b>            |      |      |      |      |     | <b>125°F</b>                    |                               |                         |      |      |      |     |     |
| 600                    | 77      | 23.2                                 | 2.2                           | 13.2                    | 10.0 | 7.5  | -    | -    | -   | 21.3                            | 2.4                           | 14.3                    | 9.5  | 7.0  | -    | -   | -   |
|                        | 72      | 20.5                                 | 2.2                           | 15.5                    | 13.0 | 10.5 | 8.0  | -    | -   | 18.3                            | 2.3                           | 14.8                    | 12.3 | 9.8  | 7.3  | -   | -   |
|                        | 67      | 17.8                                 | 2.1                           | 17.8                    | 16.1 | 13.6 | 11.1 | 8.6  | -   | 15.3                            | 2.3                           | 15.3                    | 15.0 | 12.5 | 10.1 | 7.6 | -   |
|                        | 62      | 17.3                                 | 2.1                           | 17.3                    | 17.3 | 15.3 | 12.8 | 10.3 | 7.8 | 15.5                            | 2.2                           | 15.5                    | 15.5 | 13.6 | 11.1 | 8.6 | 6.1 |
|                        | 57      | 17.4                                 | 2.1                           | 17.4                    | 17.4 | 15.3 | 12.8 | 10.3 | 7.8 | 15.7                            | 2.2                           | 15.7                    | 15.7 | 13.7 | 11.2 | 8.7 | 6.2 |
| 700                    | 77      | 23.6                                 | 2.2                           | 15.8                    | 11.1 | 8.1  | -    | -    | -   | 21.4                            | 2.4                           | 16.8                    | 11.4 | 7.6  | -    | -   | -   |
|                        | 72      | 20.9                                 | 2.2                           | 16.9                    | 14.2 | 11.4 | 8.6  | -    | -   | 18.4                            | 2.3                           | 16.0                    | 13.3 | 10.6 | 7.8  | -   | -   |
|                        | 67      | 18.1                                 | 2.1                           | 18.1                    | 17.2 | 14.7 | 11.9 | 9.1  | -   | 15.3                            | 2.3                           | 15.3                    | 15.3 | 13.5 | 10.8 | 8.0 | -   |
|                        | 62      | 17.5                                 | 2.1                           | 17.5                    | 17.5 | 16.5 | 13.8 | 11.0 | 8.2 | 15.5                            | 2.3                           | 15.5                    | 15.5 | 14.7 | 11.9 | 9.2 | 6.4 |
|                        | 57      | 17.7                                 | 2.1                           | 17.7                    | 17.7 | 16.6 | 13.8 | 11.1 | 8.3 | 15.7                            | 2.2                           | 15.7                    | 15.7 | 14.8 | 12.0 | 9.3 | 6.5 |
| 800                    | 77      | 24.0                                 | 2.2                           | 18.4                    | 12.2 | 8.7  | -    | -    | -   | 21.5                            | 2.4                           | 19.3                    | 13.3 | 8.1  | -    | -   | -   |
|                        | 72      | 21.2                                 | 2.2                           | 18.4                    | 15.3 | 12.3 | 9.2  | -    | -   | 18.4                            | 2.3                           | 17.3                    | 14.3 | 11.3 | 8.3  | -   | -   |
|                        | 67      | 18.4                                 | 2.1                           | 18.4                    | 18.4 | 15.8 | 12.8 | 9.7  | -   | 15.3                            | 2.3                           | 15.3                    | 15.3 | 14.5 | 11.5 | 8.5 | -   |
|                        | 62      | 17.8                                 | 2.1                           | 17.8                    | 17.8 | 17.8 | 14.8 | 11.7 | 8.6 | 15.6                            | 2.3                           | 15.6                    | 15.6 | 15.6 | 12.7 | 9.7 | 6.7 |
|                        | 57      | 18.0                                 | 2.1                           | 18.0                    | 18.0 | 17.9 | 14.8 | 11.8 | 8.7 | 15.8                            | 2.3                           | 15.8                    | 15.8 | 15.8 | 12.8 | 9.8 | 6.8 |
| 900                    | 72      | 21.3                                 | 2.2                           | 19.2                    | 16.0 | 12.7 | 9.4  | -    | -   | 18.7                            | 2.3                           | 18.1                    | 14.9 | 11.7 | 8.5  | -   | -   |
|                        | 67      | 18.5                                 | 2.2                           | 18.5                    | 18.5 | 16.4 | 13.1 | 9.9  | -   | 15.6                            | 2.3                           | 15.6                    | 15.6 | 15.0 | 11.8 | 8.6 | -   |
|                        | 62      | 17.9                                 | 2.1                           | 17.9                    | 17.9 | 17.9 | 14.7 | 11.4 | 8.2 | 15.8                            | 2.3                           | 15.8                    | 15.8 | 15.8 | 12.7 | 9.5 | 6.3 |
|                        | 57      | 18.1                                 | 2.1                           | 18.1                    | 18.1 | 18.1 | 14.8 | 11.5 | 8.3 | 16.1                            | 2.3                           | 16.1                    | 16.1 | 16.1 | 12.9 | 9.7 | 6.5 |

1. These capacities are Net Capacities.
2. These ratings include the compressor, condenser fan and supply air blower motors.

## DNQ030 (2.5 Ton)

| Air on Evaporator Coil |         | Temperature of Air on Condenser Coil |                               |                         |      |      |      |      |      |                                 |                               |                         |      |      |      |      |      |
|------------------------|---------|--------------------------------------|-------------------------------|-------------------------|------|------|------|------|------|---------------------------------|-------------------------------|-------------------------|------|------|------|------|------|
| CFM                    | WB (°F) | Net Capacity <sup>1</sup> (MBh)      | Total Input (kW) <sup>2</sup> | Sensible Capacity (MBh) |      |      |      |      |      | Net Capacity <sup>1</sup> (MBh) | Total Input (kW) <sup>2</sup> | Sensible Capacity (MBh) |      |      |      |      |      |
|                        |         |                                      |                               | Return Dry Bulb (°F)    |      |      |      |      |      |                                 |                               | Return Dry Bulb (°F)    |      |      |      |      |      |
|                        |         |                                      |                               | 90                      | 85   | 80   | 75   | 70   | 65   |                                 |                               | 90                      | 85   | 80   | 75   | 70   | 65   |
|                        |         |                                      |                               | 75°F                    |      |      |      |      |      | 85°F                            |                               |                         |      |      |      |      |      |
| 900                    | 77      | 37.7                                 | 1.7                           | 19.0                    | 15.4 | 11.9 | -    | -    | -    | 36.6                            | 1.9                           | 18.7                    | 15.1 | 11.5 | -    | -    | -    |
|                        | 72      | 35.1                                 | 1.7                           | 24.4                    | 20.9 | 17.3 | 13.8 | -    | -    | 33.7                            | 1.9                           | 24.0                    | 20.4 | 16.8 | 13.2 | -    | -    |
|                        | 67      | 32.5                                 | 1.7                           | 29.9                    | 26.3 | 22.8 | 19.2 | 15.7 | -    | 30.9                            | 1.9                           | 29.3                    | 25.7 | 22.1 | 18.5 | 14.9 | -    |
|                        | 62      | 30.4                                 | 1.7                           | 30.4                    | 30.4 | 27.9 | 24.3 | 20.8 | 17.2 | 29.1                            | 1.9                           | 29.1                    | 29.1 | 26.8 | 23.2 | 19.6 | 16.0 |
|                        | 57      | 30.0                                 | 1.7                           | 30.0                    | 30.0 | 27.7 | 24.2 | 20.6 | 17.1 | 29.1                            | 1.9                           | 29.1                    | 29.1 | 27.0 | 23.4 | 19.8 | 16.2 |
| 1000                   | 77      | 39.8                                 | 1.7                           | 19.6                    | 17.1 | 13.3 | -    | -    | -    | 38.1                            | 1.9                           | 20.5                    | 16.6 | 12.8 | -    | -    | -    |
|                        | 72      | 37.0                                 | 1.7                           | 26.9                    | 23.2 | 19.4 | 15.6 | -    | -    | 35.2                            | 1.9                           | 26.4                    | 22.5 | 18.7 | 14.8 | -    | -    |
|                        | 67      | 34.3                                 | 1.7                           | 34.3                    | 29.3 | 25.5 | 21.7 | 17.9 | -    | 32.3                            | 1.9                           | 32.3                    | 28.4 | 24.6 | 20.7 | 16.9 | -    |
|                        | 62      | 32.0                                 | 1.7                           | 32.0                    | 32.0 | 31.2 | 27.4 | 23.7 | 19.9 | 30.3                            | 1.9                           | 30.3                    | 30.3 | 29.8 | 26.0 | 22.2 | 18.3 |
|                        | 57      | 31.6                                 | 1.7                           | 31.6                    | 31.6 | 31.0 | 27.2 | 23.5 | 19.7 | 30.3                            | 1.9                           | 30.3                    | 30.3 | 30.0 | 26.2 | 22.4 | 18.5 |
| 1125                   | 72      | 37.3                                 | 1.7                           | 28.7                    | 24.5 | 20.3 | 16.1 | -    | -    | 35.5                            | 1.9                           | 28.1                    | 23.9 | 19.6 | 15.3 | -    | -    |
|                        | 67      | 34.6                                 | 1.7                           | 34.6                    | 30.9 | 26.7 | 22.5 | 18.2 | -    | 32.6                            | 1.9                           | 32.6                    | 30.1 | 25.8 | 21.5 | 17.2 | -    |
|                        | 62      | 32.2                                 | 1.7                           | 32.2                    | 32.2 | 31.9 | 27.6 | 23.4 | 19.2 | 30.6                            | 1.9                           | 30.6                    | 30.6 | 30.4 | 26.1 | 21.8 | 17.6 |
|                        | 57      | 31.9                                 | 1.7                           | 31.9                    | 31.9 | 31.6 | 27.3 | 23.1 | 18.9 | 30.6                            | 1.9                           | 30.6                    | 30.6 | 30.5 | 26.2 | 21.9 | 17.7 |
| 1250                   | 72      | 37.6                                 | 1.7                           | 30.5                    | 25.8 | 21.2 | 16.5 | -    | -    | 35.9                            | 1.9                           | 29.9                    | 25.2 | 20.5 | 15.8 | -    | -    |
|                        | 67      | 34.8                                 | 1.7                           | 34.8                    | 32.5 | 27.8 | 23.2 | 18.5 | -    | 32.9                            | 1.9                           | 32.9                    | 31.7 | 27.0 | 22.3 | 17.5 | -    |
|                        | 62      | 32.5                                 | 1.7                           | 32.5                    | 32.5 | 32.5 | 27.8 | 23.2 | 18.5 | 30.9                            | 1.9                           | 30.9                    | 30.9 | 30.9 | 26.2 | 21.5 | 16.8 |
|                        | 57      | 32.1                                 | 1.7                           | 32.1                    | 32.1 | 32.1 | 27.5 | 22.8 | 18.1 | 30.9                            | 1.9                           | 30.9                    | 30.9 | 30.9 | 26.2 | 21.5 | 16.8 |
|                        |         |                                      |                               | 95°F                    |      |      |      |      |      | 105°F                           |                               |                         |      |      |      |      |      |
| 900                    | 77      | 35.4                                 | 2.1                           | 18.4                    | 14.8 | 11.1 | -    | -    | -    | 33.0                            | 2.4                           | 18.5                    | 14.0 | 10.3 | -    | -    | -    |
|                        | 72      | 32.3                                 | 2.1                           | 23.6                    | 19.9 | 16.3 | 12.7 | -    | -    | 30.2                            | 2.4                           | 22.8                    | 19.1 | 15.5 | 11.9 | -    | -    |
|                        | 67      | 29.3                                 | 2.1                           | 28.8                    | 25.1 | 21.5 | 17.8 | 14.2 | -    | 27.3                            | 2.4                           | 27.0                    | 24.3 | 20.7 | 17.0 | 13.4 | -    |
|                        | 62      | 27.8                                 | 2.1                           | 27.8                    | 27.8 | 25.8 | 22.1 | 18.5 | 14.9 | 26.1                            | 2.4                           | 26.1                    | 26.1 | 24.1 | 20.4 | 16.8 | 13.2 |
|                        | 57      | 28.2                                 | 2.1                           | 28.2                    | 28.2 | 26.4 | 22.7 | 19.1 | 15.4 | 26.7                            | 2.4                           | 26.7                    | 26.7 | 24.8 | 21.2 | 17.6 | 13.9 |
| 1000                   | 77      | 36.4                                 | 2.1                           | 21.3                    | 16.2 | 12.3 | -    | -    | -    | 34.0                            | 2.4                           | 21.9                    | 15.4 | 11.4 | -    | -    | -    |
|                        | 72      | 33.3                                 | 2.1                           | 25.8                    | 21.9 | 18.0 | 14.1 | -    | -    | 31.0                            | 2.4                           | 25.0                    | 21.1 | 17.1 | 13.2 | -    | -    |
|                        | 67      | 30.2                                 | 2.1                           | 30.2                    | 27.6 | 23.7 | 19.8 | 15.9 | -    | 28.1                            | 2.4                           | 28.1                    | 26.7 | 22.9 | 18.9 | 15.0 | -    |
|                        | 62      | 28.7                                 | 2.1                           | 28.7                    | 28.7 | 28.4 | 24.5 | 20.6 | 16.7 | 26.8                            | 2.4                           | 26.8                    | 26.8 | 26.6 | 22.7 | 18.8 | 14.9 |
|                        | 57      | 29.1                                 | 2.1                           | 29.1                    | 29.1 | 29.1 | 25.2 | 21.3 | 17.4 | 27.5                            | 2.4                           | 27.5                    | 27.5 | 27.5 | 23.5 | 19.6 | 15.7 |
| 1125                   | 72      | 33.7                                 | 2.1                           | 27.6                    | 23.2 | 18.9 | 14.6 | -    | -    | 31.3                            | 2.4                           | 26.8                    | 22.4 | 18.0 | 13.7 | -    | -    |
|                        | 67      | 30.6                                 | 2.1                           | 30.6                    | 29.2 | 24.9 | 20.6 | 16.2 | -    | 28.4                            | 2.4                           | 28.4                    | 27.7 | 24.1 | 19.7 | 15.3 | -    |
|                        | 62      | 29.0                                 | 2.1                           | 29.0                    | 29.0 | 28.9 | 24.6 | 20.2 | 15.9 | 27.1                            | 2.4                           | 27.1                    | 27.1 | 27.0 | 22.6 | 18.2 | 13.9 |
|                        | 57      | 29.4                                 | 2.1                           | 29.4                    | 29.4 | 29.4 | 25.1 | 20.7 | 16.4 | 27.7                            | 2.4                           | 27.7                    | 27.7 | 27.7 | 23.4 | 19.0 | 14.6 |
| 1250                   | 72      | 34.1                                 | 2.1                           | 29.4                    | 24.6 | 19.8 | 15.0 | -    | -    | 31.7                            | 2.4                           | 28.7                    | 23.8 | 19.0 | 14.1 | -    | -    |
|                        | 67      | 31.0                                 | 2.1                           | 31.0                    | 30.9 | 26.1 | 21.3 | 16.6 | -    | 28.7                            | 2.4                           | 28.7                    | 28.6 | 25.3 | 20.4 | 15.6 | -    |
|                        | 62      | 29.4                                 | 2.1                           | 29.4                    | 29.4 | 29.4 | 24.6 | 19.8 | 15.1 | 27.4                            | 2.4                           | 27.4                    | 27.4 | 27.4 | 22.5 | 17.7 | 12.8 |
|                        | 57      | 29.8                                 | 2.1                           | 29.8                    | 29.8 | 29.8 | 25.0 | 20.2 | 15.4 | 28.0                            | 2.4                           | 28.0                    | 28.0 | 28.0 | 23.2 | 18.3 | 13.5 |

**DNQ030 (2.5 Ton) (Continued)**

| Air on Evaporator Coil |         | Temperature of Air on Condenser Coil |                               |                         |      |      |      |      |      |                                 |                               |                         |      |      |      |      |      |
|------------------------|---------|--------------------------------------|-------------------------------|-------------------------|------|------|------|------|------|---------------------------------|-------------------------------|-------------------------|------|------|------|------|------|
| CFM                    | WB (°F) | Net Capacity <sup>1</sup> (MBh)      | Total Input (kW) <sup>2</sup> | Sensible Capacity (MBh) |      |      |      |      |      | Net Capacity <sup>1</sup> (MBh) | Total Input (kW) <sup>2</sup> | Sensible Capacity (MBh) |      |      |      |      |      |
|                        |         |                                      |                               | Return Dry Bulb (°F)    |      |      |      |      |      |                                 |                               | Return Dry Bulb (°F)    |      |      |      |      |      |
|                        |         |                                      |                               | 90                      | 85   | 80   | 75   | 70   | 65   |                                 |                               | 90                      | 85   | 80   | 75   | 70   | 65   |
|                        |         |                                      |                               | <b>115°F</b>            |      |      |      |      |      | <b>125°F</b>                    |                               |                         |      |      |      |      |      |
| 900                    | 77      | 30.7                                 | 2.7                           | 18.6                    | 13.1 | 9.5  | -    | -    | -    | 28.4                            | 3.0                           | 19.0                    | 12.3 | 8.7  | -    | -    | -    |
|                        | 72      | 28.0                                 | 2.7                           | 21.9                    | 18.3 | 14.7 | 11.1 | -    | -    | 25.8                            | 3.0                           | 21.1                    | 17.5 | 13.9 | 10.3 | -    | -    |
|                        | 67      | 25.2                                 | 2.7                           | 25.2                    | 23.5 | 19.8 | 16.2 | 12.6 | -    | 23.1                            | 3.0                           | 23.1                    | 22.6 | 19.0 | 15.4 | 11.8 | -    |
|                        | 62      | 24.3                                 | 2.7                           | 24.3                    | 24.3 | 22.4 | 18.7 | 15.1 | 11.5 | 22.5                            | 3.0                           | 22.5                    | 22.5 | 20.6 | 17.0 | 13.4 | 9.8  |
|                        | 57      | 25.2                                 | 2.7                           | 25.2                    | 25.2 | 23.3 | 19.7 | 16.1 | 12.4 | 23.7                            | 3.0                           | 23.7                    | 23.7 | 21.7 | 18.1 | 14.5 | 10.9 |
| 1000                   | 77      | 31.5                                 | 2.7                           | 22.5                    | 14.6 | 10.6 | -    | -    | -    | 29.1                            | 3.0                           | 23.0                    | 15.1 | 9.7  | -    | -    | -    |
|                        | 72      | 28.7                                 | 2.7                           | 24.2                    | 20.2 | 16.3 | 12.4 | -    | -    | 26.4                            | 3.0                           | 23.4                    | 19.4 | 15.5 | 11.5 | -    | -    |
|                        | 67      | 25.9                                 | 2.7                           | 25.9                    | 25.9 | 22.0 | 18.1 | 14.2 | -    | 23.7                            | 3.0                           | 23.7                    | 23.7 | 21.2 | 17.3 | 13.3 | -    |
|                        | 62      | 25.0                                 | 2.7                           | 25.0                    | 25.0 | 24.8 | 20.9 | 17.0 | 13.0 | 23.1                            | 3.0                           | 23.1                    | 23.1 | 23.0 | 19.1 | 15.1 | 11.2 |
|                        | 57      | 25.9                                 | 2.7                           | 25.9                    | 25.9 | 25.9 | 21.9 | 18.0 | 14.1 | 24.3                            | 3.0                           | 24.3                    | 24.3 | 24.3 | 20.3 | 16.3 | 12.4 |
| 1125                   | 72      | 29.0                                 | 2.7                           | 26.1                    | 21.6 | 17.2 | 12.8 | -    | -    | 26.6                            | 3.0                           | 25.3                    | 20.8 | 16.4 | 11.9 | -    | -    |
|                        | 67      | 26.1                                 | 2.7                           | 26.1                    | 26.1 | 23.3 | 18.8 | 14.4 | -    | 23.9                            | 3.0                           | 23.9                    | 23.9 | 22.4 | 18.0 | 13.5 | -    |
|                        | 62      | 25.2                                 | 2.7                           | 25.2                    | 25.2 | 25.1 | 20.7 | 16.2 | 11.8 | 23.2                            | 3.0                           | 23.2                    | 23.2 | 23.2 | 18.7 | 14.2 | 9.8  |
|                        | 57      | 26.1                                 | 2.7                           | 26.1                    | 26.1 | 26.1 | 21.7 | 17.2 | 12.8 | 24.4                            | 3.0                           | 24.4                    | 24.4 | 24.4 | 19.9 | 15.5 | 11.0 |
| 1250                   | 72      | 29.2                                 | 2.7                           | 28.0                    | 23.0 | 18.1 | 13.2 | -    | -    | 26.7                            | 3.0                           | 26.7                    | 22.3 | 17.3 | 12.3 | -    | -    |
|                        | 67      | 26.3                                 | 2.7                           | 26.3                    | 26.3 | 24.5 | 19.5 | 14.6 | -    | 24.0                            | 3.0                           | 24.0                    | 24.0 | 23.7 | 18.7 | 13.6 | -    |
|                        | 62      | 25.4                                 | 2.7                           | 25.4                    | 25.4 | 25.4 | 20.5 | 15.5 | 10.6 | 23.4                            | 3.0                           | 23.4                    | 23.4 | 23.4 | 18.4 | 13.4 | 8.4  |
|                        | 57      | 26.3                                 | 2.7                           | 26.3                    | 26.3 | 26.3 | 21.4 | 16.5 | 11.5 | 24.6                            | 3.0                           | 24.6                    | 24.6 | 24.6 | 19.6 | 14.6 | 9.6  |

1. These capacities are Net Capacities.
2. These ratings include the compressor, condenser fan and supply air blower motors.



**DNQ036 (3.0 Ton)**

| Air on Evaporator Coil |         | Temperature of Air on Condenser Coil |                               |                         |      |      |      |      |      |                                 |                               |                         |      |      |      |      |      |
|------------------------|---------|--------------------------------------|-------------------------------|-------------------------|------|------|------|------|------|---------------------------------|-------------------------------|-------------------------|------|------|------|------|------|
| CFM                    | WB (°F) | Net Capacity <sup>1</sup> (MBh)      | Total Input (kW) <sup>2</sup> | Sensible Capacity (MBh) |      |      |      |      |      | Net Capacity <sup>1</sup> (MBh) | Total Input (kW) <sup>2</sup> | Sensible Capacity (MBh) |      |      |      |      |      |
|                        |         |                                      |                               | Return Dry Bulb (°F)    |      |      |      |      |      |                                 |                               | Return Dry Bulb (°F)    |      |      |      |      |      |
|                        |         |                                      |                               | 90                      | 85   | 80   | 75   | 70   | 65   |                                 |                               | 90                      | 85   | 80   | 75   | 70   | 65   |
|                        |         |                                      |                               | 75°F                    |      |      |      |      |      | 85°F                            |                               |                         |      |      |      |      |      |
| 1050                   | 77      | 47.5                                 | 1.5                           | 23.1                    | 18.9 | 14.7 | -    | -    | -    | 44.6                            | 2.4                           | 23.4                    | 19.0 | 14.7 | -    | -    | -    |
|                        | 72      | 43.7                                 | 1.9                           | 29.7                    | 25.5 | 21.3 | 17.1 | -    | -    | 41.0                            | 2.5                           | 29.0                    | 24.8 | 20.6 | 16.3 | -    | -    |
|                        | 67      | 39.9                                 | 2.3                           | 36.3                    | 32.1 | 27.9 | 23.6 | 19.4 | -    | 37.5                            | 2.5                           | 34.7                    | 30.6 | 26.4 | 22.1 | 17.9 | -    |
|                        | 62      | 37.1                                 | 1.9                           | 37.1                    | 35.4 | 32.8 | 28.6 | 24.4 | 20.2 | 34.6                            | 2.5                           | 34.6                    | 33.8 | 31.4 | 27.1 | 22.9 | 18.7 |
|                        | 57      | 37.4                                 | 2.0                           | 37.4                    | 36.6 | 34.4 | 30.2 | 26.0 | 21.8 | 35.2                            | 2.5                           | 35.2                    | 34.8 | 32.9 | 28.7 | 24.4 | 20.2 |
| 1100                   | 77      | 47.0                                 | 1.6                           | 23.6                    | 19.3 | 15.0 | -    | -    | -    | 44.2                            | 2.4                           | 23.9                    | 19.3 | 15.0 | -    | -    | -    |
|                        | 72      | 43.2                                 | 2.0                           | 30.4                    | 26.0 | 21.7 | 17.3 | -    | -    | 40.7                            | 2.5                           | 29.6                    | 25.2 | 20.9 | 16.5 | -    | -    |
|                        | 67      | 39.5                                 | 2.3                           | 37.1                    | 32.7 | 28.4 | 24.0 | 19.7 | -    | 37.2                            | 2.5                           | 35.3                    | 31.1 | 26.8 | 22.4 | 18.0 | -    |
|                        | 62      | 36.7                                 | 2.0                           | 36.7                    | 35.6 | 33.4 | 29.1 | 24.7 | 20.4 | 34.3                            | 2.5                           | 34.3                    | 33.8 | 31.8 | 27.4 | 23.1 | 18.7 |
|                        | 57      | 37.0                                 | 2.0                           | 37.0                    | 36.5 | 35.0 | 30.7 | 26.3 | 22.0 | 34.9                            | 2.5                           | 34.9                    | 34.6 | 33.4 | 29.0 | 24.6 | 20.2 |
| 1200                   | 77      | 46.1                                 | 1.7                           | 24.7                    | 20.2 | 15.5 | -    | -    | -    | 43.5                            | 2.4                           | 25.1                    | 20.1 | 15.4 | -    | -    | -    |
|                        | 72      | 42.4                                 | 2.1                           | 31.7                    | 27.1 | 22.5 | 17.8 | -    | -    | 40.0                            | 2.5                           | 30.8                    | 26.1 | 21.5 | 16.8 | -    | -    |
|                        | 67      | 38.7                                 | 2.4                           | 38.7                    | 34.0 | 29.4 | 24.7 | 20.1 | -    | 36.6                            | 2.5                           | 36.6                    | 32.2 | 27.5 | 22.9 | 18.2 | -    |
|                        | 62      | 36.0                                 | 2.1                           | 36.0                    | 36.0 | 34.6 | 30.0 | 25.4 | 20.8 | 33.8                            | 2.5                           | 33.8                    | 33.8 | 32.7 | 28.1 | 23.4 | 18.7 |
|                        | 57      | 36.3                                 | 2.1                           | 36.3                    | 36.3 | 36.3 | 31.6 | 27.0 | 22.4 | 34.3                            | 2.5                           | 34.3                    | 34.3 | 34.3 | 29.7 | 25.0 | 20.3 |
| 1350                   | 72      | 43.4                                 | 1.7                           | 33.7                    | 28.4 | 23.1 | 17.8 | -    | -    | 40.5                            | 2.5                           | 33.0                    | 27.7 | 22.5 | 17.3 | -    | -    |
|                        | 67      | 39.6                                 | 2.1                           | 39.6                    | 35.5 | 30.2 | 25.0 | 19.7 | -    | 37.0                            | 2.5                           | 37.0                    | 34.1 | 28.9 | 23.6 | 18.4 | -    |
|                        | 62      | 36.8                                 | 1.7                           | 36.8                    | 36.8 | 36.8 | 31.5 | 26.3 | 21.0 | 34.1                            | 2.5                           | 34.1                    | 34.1 | 34.1 | 28.9 | 23.6 | 18.4 |
|                        | 57      | 37.1                                 | 1.8                           | 37.1                    | 37.1 | 37.1 | 31.9 | 26.6 | 21.3 | 34.7                            | 2.5                           | 34.7                    | 34.7 | 34.7 | 29.5 | 24.2 | 19.0 |
|                        |         |                                      |                               |                         | 95°F |      |      |      |      |                                 | 105°F                         |                         |      |      |      |      |      |
| 1050                   | 77      | 41.7                                 | 3.3                           | 23.6                    | 19.0 | 14.8 | -    | -    | -    | 38.7                            | 3.5                           | 23.2                    | 17.7 | 13.4 | -    | -    | -    |
|                        | 72      | 38.4                                 | 3.0                           | 28.3                    | 24.1 | 19.8 | 15.6 | -    | -    | 35.5                            | 3.4                           | 27.1                    | 22.9 | 18.7 | 14.4 | -    | -    |
|                        | 67      | 35.1                                 | 2.7                           | 33.0                    | 29.1 | 24.9 | 20.6 | 16.4 | -    | 32.2                            | 3.3                           | 31.0                    | 28.1 | 23.9 | 19.7 | 15.5 | -    |
|                        | 62      | 32.1                                 | 3.1                           | 32.1                    | 32.1 | 29.9 | 25.6 | 21.4 | 17.1 | 29.9                            | 3.5                           | 29.9                    | 29.7 | 27.6 | 23.4 | 19.1 | 14.9 |
|                        | 57      | 33.0                                 | 3.0                           | 33.0                    | 33.0 | 31.4 | 27.1 | 22.9 | 18.7 | 30.8                            | 3.4                           | 30.8                    | 30.6 | 28.9 | 24.6 | 20.4 | 16.2 |
| 1100                   | 77      | 41.4                                 | 3.3                           | 24.2                    | 19.3 | 14.9 | -    | -    | -    | 38.5                            | 3.5                           | 24.2                    | 18.0 | 13.6 | -    | -    | -    |
|                        | 72      | 38.1                                 | 2.9                           | 28.9                    | 24.4 | 20.0 | 15.6 | -    | -    | 35.2                            | 3.4                           | 27.7                    | 23.3 | 18.9 | 14.6 | -    | -    |
|                        | 67      | 34.9                                 | 2.6                           | 33.5                    | 29.6 | 25.2 | 20.8 | 16.3 | -    | 32.0                            | 3.2                           | 31.2                    | 28.6 | 24.3 | 19.9 | 15.5 | -    |
|                        | 62      | 31.9                                 | 3.0                           | 31.9                    | 31.9 | 30.2 | 25.8 | 21.4 | 17.0 | 29.7                            | 3.5                           | 29.7                    | 29.6 | 28.0 | 23.6 | 19.2 | 14.8 |
|                        | 57      | 32.8                                 | 3.0                           | 32.8                    | 32.8 | 31.7 | 27.3 | 22.9 | 18.5 | 30.5                            | 3.4                           | 30.5                    | 30.4 | 29.3 | 24.9 | 20.5 | 16.2 |
| 1200                   | 77      | 40.9                                 | 3.1                           | 25.4                    | 20.0 | 15.2 | -    | -    | -    | 37.9                            | 3.4                           | 26.1                    | 18.8 | 14.0 | -    | -    | -    |
|                        | 72      | 37.7                                 | 2.8                           | 29.9                    | 25.2 | 20.5 | 15.7 | -    | -    | 34.8                            | 3.3                           | 28.9                    | 24.2 | 19.5 | 14.8 | -    | -    |
|                        | 67      | 34.5                                 | 2.5                           | 34.5                    | 30.4 | 25.7 | 21.0 | 16.2 | -    | 31.6                            | 3.2                           | 31.6                    | 29.6 | 25.0 | 20.3 | 15.6 | -    |
|                        | 62      | 31.5                                 | 2.9                           | 31.5                    | 31.5 | 30.8 | 26.1 | 21.4 | 16.7 | 29.3                            | 3.4                           | 29.3                    | 29.3 | 28.8 | 24.1 | 19.4 | 14.7 |
|                        | 57      | 32.4                                 | 2.9                           | 32.4                    | 32.4 | 32.4 | 27.7 | 23.0 | 18.2 | 30.1                            | 3.4                           | 30.1                    | 30.1 | 30.1 | 25.4 | 20.8 | 16.1 |
| 1350                   | 72      | 37.5                                 | 3.2                           | 32.3                    | 27.1 | 21.9 | 16.7 | -    | -    | 34.7                            | 3.5                           | 31.0                    | 25.8 | 20.6 | 15.4 | -    | -    |
|                        | 67      | 34.3                                 | 2.9                           | 34.3                    | 32.7 | 27.5 | 22.3 | 17.1 | -    | 31.5                            | 3.3                           | 31.5                    | 30.7 | 26.5 | 21.3 | 16.1 | -    |
|                        | 62      | 31.4                                 | 3.3                           | 31.4                    | 31.4 | 31.4 | 26.2 | 21.0 | 15.8 | 29.3                            | 3.6                           | 29.3                    | 29.3 | 29.3 | 24.1 | 18.9 | 13.7 |
|                        | 57      | 32.3                                 | 3.2                           | 32.3                    | 32.3 | 32.3 | 27.1 | 21.9 | 16.7 | 30.1                            | 3.5                           | 30.1                    | 30.1 | 30.1 | 24.9 | 19.7 | 14.5 |

**DNQ036 (3.0 Ton) (Continued)**

| Air on Evaporator Coil |         | Temperature of Air on Condenser Coil |                               |                         |      |      |      |      |      |                                 |                               |                         |      |      |      |      |      |
|------------------------|---------|--------------------------------------|-------------------------------|-------------------------|------|------|------|------|------|---------------------------------|-------------------------------|-------------------------|------|------|------|------|------|
| CFM                    | WB (°F) | Net Capacity <sup>1</sup> (MBh)      | Total Input (kW) <sup>2</sup> | Sensible Capacity (MBh) |      |      |      |      |      | Net Capacity <sup>1</sup> (MBh) | Total Input (kW) <sup>2</sup> | Sensible Capacity (MBh) |      |      |      |      |      |
|                        |         |                                      |                               | Return Dry Bulb (°F)    |      |      |      |      |      |                                 |                               | Return Dry Bulb (°F)    |      |      |      |      |      |
|                        |         |                                      |                               | 90                      | 85   | 80   | 75   | 70   | 65   |                                 |                               | 90                      | 85   | 80   | 75   | 70   | 65   |
|                        |         |                                      |                               | <b>115°F</b>            |      |      |      |      |      | <b>125°F</b>                    |                               |                         |      |      |      |      |      |
| 1050                   | 77      | 35.8                                 | 3.7                           | 22.8                    | 16.3 | 12.0 | -    | -    | -    | 32.8                            | 3.8                           | 22.7                    | 15.9 | 10.6 | -    | -    | -    |
|                        | 72      | 32.6                                 | 3.8                           | 25.9                    | 21.7 | 17.5 | 13.3 | -    | -    | 29.7                            | 4.1                           | 24.6                    | 20.5 | 16.3 | 12.1 | -    | -    |
|                        | 67      | 29.4                                 | 3.8                           | 28.9                    | 27.1 | 23.0 | 18.8 | 14.6 | -    | 26.6                            | 4.4                           | 26.6                    | 26.0 | 22.0 | 17.8 | 13.7 | -    |
|                        | 62      | 27.8                                 | 3.9                           | 27.8                    | 27.3 | 25.3 | 21.1 | 16.9 | 12.7 | 25.6                            | 4.3                           | 25.6                    | 24.9 | 23.0 | 18.8 | 14.6 | 10.4 |
|                        | 57      | 28.5                                 | 3.8                           | 28.5                    | 28.2 | 26.3 | 22.1 | 17.9 | 13.7 | 26.3                            | 4.2                           | 26.3                    | 25.8 | 23.8 | 19.6 | 15.4 | 11.3 |
| 1100                   | 77      | 35.5                                 | 3.7                           | 24.2                    | 16.7 | 12.2 | -    | -    | -    | 32.5                            | 3.9                           | 24.3                    | 16.8 | 10.9 | -    | -    | -    |
|                        | 72      | 32.3                                 | 3.8                           | 26.5                    | 22.2 | 17.8 | 13.5 | -    | -    | 29.4                            | 4.2                           | 25.3                    | 21.0 | 16.7 | 12.4 | -    | -    |
|                        | 67      | 29.2                                 | 3.9                           | 28.9                    | 27.6 | 23.4 | 19.1 | 14.7 | -    | 26.4                            | 4.5                           | 26.4                    | 26.0 | 22.5 | 18.2 | 13.9 | -    |
|                        | 62      | 27.5                                 | 3.9                           | 27.5                    | 27.3 | 25.8 | 21.4 | 17.1 | 12.7 | 25.3                            | 4.4                           | 25.3                    | 24.9 | 23.5 | 19.2 | 14.9 | 10.6 |
|                        | 57      | 28.3                                 | 3.8                           | 28.3                    | 28.1 | 26.8 | 22.5 | 18.1 | 13.8 | 26.0                            | 4.3                           | 26.0                    | 25.7 | 24.4 | 20.1 | 15.7 | 11.4 |
| 1200                   | 77      | 34.9                                 | 3.7                           | 26.9                    | 17.6 | 12.7 | -    | -    | -    | 31.9                            | 4.0                           | 27.6                    | 18.4 | 11.4 | -    | -    | -    |
|                        | 72      | 31.8                                 | 3.8                           | 27.8                    | 23.1 | 18.5 | 13.8 | -    | -    | 28.9                            | 4.3                           | 26.7                    | 22.1 | 17.5 | 12.9 | -    | -    |
|                        | 67      | 28.7                                 | 3.9                           | 28.7                    | 28.7 | 24.3 | 19.7 | 15.0 | -    | 25.9                            | 4.5                           | 25.9                    | 25.9 | 23.6 | 19.0 | 14.4 | -    |
|                        | 62      | 27.1                                 | 3.9                           | 27.1                    | 27.1 | 26.7 | 22.1 | 17.4 | 12.8 | 24.9                            | 4.4                           | 24.9                    | 24.9 | 24.7 | 20.1 | 15.5 | 10.8 |
|                        | 57      | 27.8                                 | 3.9                           | 27.8                    | 27.8 | 27.8 | 23.2 | 18.6 | 13.9 | 25.6                            | 4.4                           | 25.6                    | 25.6 | 25.6 | 21.0 | 16.3 | 11.7 |
| 1350                   | 72      | 31.9                                 | 3.7                           | 29.7                    | 24.5 | 19.4 | 14.2 | -    | -    | 29.0                            | 4.0                           | 28.5                    | 23.3 | 18.1 | 12.9 | -    | -    |
|                        | 67      | 28.8                                 | 3.8                           | 28.8                    | 28.8 | 25.4 | 20.2 | 15.0 | -    | 26.0                            | 4.3                           | 26.0                    | 26.0 | 24.4 | 19.2 | 14.0 | -    |
|                        | 62      | 27.1                                 | 3.9                           | 27.1                    | 27.1 | 27.1 | 21.9 | 16.8 | 11.6 | 25.0                            | 4.2                           | 25.0                    | 25.0 | 25.0 | 19.8 | 14.6 | 9.4  |
|                        | 57      | 27.9                                 | 3.8                           | 27.9                    | 27.9 | 27.9 | 22.7 | 17.5 | 12.3 | 25.7                            | 4.1                           | 25.7                    | 25.7 | 25.7 | 20.5 | 15.3 | 10.1 |

1. These capacities are Net Capacities.
2. These ratings include the compressor, condenser fan and supply air blower motors.

## DNQ042 (3.5 Ton)

| Air on Evaporator Coil |         | Temperature of Air on Condenser Coil |                               |                         |      |      |      |      |      |                                 |                               |                         |      |      |      |      |      |
|------------------------|---------|--------------------------------------|-------------------------------|-------------------------|------|------|------|------|------|---------------------------------|-------------------------------|-------------------------|------|------|------|------|------|
| CFM                    | WB (°F) | Net Capacity <sup>1</sup> (MBh)      | Total Input (kW) <sup>2</sup> | Sensible Capacity (MBh) |      |      |      |      |      | Net Capacity <sup>1</sup> (MBh) | Total Input (kW) <sup>2</sup> | Sensible Capacity (MBh) |      |      |      |      |      |
|                        |         |                                      |                               | Return Dry Bulb (°F)    |      |      |      |      |      |                                 |                               | Return Dry Bulb (°F)    |      |      |      |      |      |
|                        |         |                                      |                               | 90                      | 85   | 80   | 75   | 70   | 65   |                                 |                               | 90                      | 85   | 80   | 75   | 70   | 65   |
|                        |         |                                      |                               | 75°F                    |      |      |      |      |      | 85°F                            |                               |                         |      |      |      |      |      |
| 1225                   | 77      | 56.1                                 | 2.4                           | 29.5                    | 24.5 | 19.3 | -    | -    | -    | 51.8                            | 2.7                           | 28.3                    | 22.6 | 17.4 | -    | -    | -    |
|                        | 72      | 51.6                                 | 2.4                           | 36.9                    | 31.7 | 26.4 | 21.2 | -    | -    | 48.1                            | 2.7                           | 35.3                    | 30.1 | 24.8 | 19.6 | -    | -    |
|                        | 67      | 47.2                                 | 2.4                           | 44.3                    | 38.9 | 33.6 | 28.4 | 23.1 | -    | 44.4                            | 2.7                           | 42.4                    | 37.5 | 32.3 | 27.0 | 21.8 | -    |
|                        | 62      | 42.1                                 | 2.3                           | 42.1                    | 41.8 | 36.7 | 31.4 | 26.2 | 20.9 | 40.5                            | 2.7                           | 40.5                    | 40.3 | 36.9 | 31.7 | 26.4 | 21.2 |
|                        | 57      | 42.9                                 | 2.4                           | 42.9                    | 42.9 | 39.8 | 34.5 | 29.3 | 24.1 | 40.0                            | 2.7                           | 40.0                    | 40.0 | 37.5 | 32.3 | 27.0 | 21.8 |
| 1400                   | 77      | 56.2                                 | 2.4                           | 31.6                    | 26.1 | 20.2 | -    | -    | -    | 52.9                            | 2.7                           | 31.1                    | 24.4 | 18.5 | -    | -    | -    |
|                        | 72      | 51.8                                 | 2.4                           | 39.5                    | 33.6 | 27.7 | 21.9 | -    | -    | 49.1                            | 2.7                           | 38.2                    | 32.3 | 26.4 | 20.4 | -    | -    |
|                        | 67      | 47.4                                 | 2.4                           | 47.4                    | 41.1 | 35.2 | 29.4 | 23.5 | -    | 45.3                            | 2.7                           | 45.3                    | 40.2 | 34.2 | 28.3 | 22.4 | -    |
|                        | 62      | 42.2                                 | 2.4                           | 42.2                    | 42.2 | 38.4 | 32.5 | 26.6 | 20.7 | 41.3                            | 2.7                           | 41.3                    | 41.3 | 39.2 | 33.3 | 27.3 | 21.4 |
|                        | 57      | 43.0                                 | 2.4                           | 43.0                    | 43.0 | 41.7 | 35.8 | 30.0 | 24.1 | 40.9                            | 2.7                           | 40.9                    | 40.9 | 39.8 | 33.9 | 28.0 | 22.0 |
| 1575                   | 72      | 51.4                                 | 2.4                           | 42.3                    | 35.9 | 29.5 | 23.1 | -    | -    | 48.9                            | 2.7                           | 41.0                    | 34.6 | 28.1 | 21.6 | -    | -    |
|                        | 67      | 46.9                                 | 2.4                           | 46.9                    | 43.8 | 37.5 | 31.1 | 24.7 | -    | 45.1                            | 2.7                           | 45.1                    | 42.5 | 36.5 | 30.1 | 23.6 | -    |
|                        | 62      | 41.8                                 | 2.4                           | 41.8                    | 41.8 | 39.9 | 33.5 | 27.1 | 20.7 | 41.1                            | 2.7                           | 41.1                    | 41.1 | 40.1 | 33.6 | 27.1 | 20.7 |
|                        | 57      | 42.6                                 | 2.4                           | 42.6                    | 42.6 | 42.0 | 35.6 | 29.2 | 22.8 | 40.7                            | 2.7                           | 40.7                    | 40.7 | 40.2 | 33.7 | 27.2 | 20.8 |
|                        | 72      | 50.9                                 | 2.4                           | 45.1                    | 38.2 | 31.3 | 24.4 | -    | -    | 48.7                            | 2.7                           | 43.9                    | 36.9 | 29.9 | 22.9 | -    | -    |
| 1750                   | 67      | 46.5                                 | 2.4                           | 46.5                    | 46.5 | 39.7 | 32.9 | 26.0 | -    | 44.9                            | 2.7                           | 44.9                    | 44.9 | 38.8 | 31.8 | 24.8 | -    |
|                        | 62      | 41.4                                 | 2.4                           | 41.4                    | 41.4 | 41.4 | 34.5 | 27.6 | 20.8 | 41.0                            | 2.7                           | 41.0                    | 41.0 | 41.0 | 34.0 | 27.0 | 20.0 |
|                        | 57      | 42.2                                 | 2.4                           | 42.2                    | 42.2 | 42.2 | 35.4 | 28.5 | 21.6 | 40.5                            | 2.7                           | 40.5                    | 40.5 | 40.5 | 33.5 | 26.5 | 19.5 |
|                        | 72      | 47.6                                 | 3.0                           | 27.1                    | 20.8 | 15.5 | -    | -    | -    | 46.1                            | 3.4                           | 28.7                    | 21.2 | 15.7 | -    | -    | -    |
| 1225                   | 72      | 44.6                                 | 3.0                           | 33.8                    | 28.5 | 23.2 | 17.9 | -    | -    | 42.6                            | 3.4                           | 33.6                    | 28.2 | 22.9 | 17.5 | -    | -    |
|                        | 67      | 41.5                                 | 3.0                           | 40.4                    | 36.2 | 30.9 | 25.6 | 20.4 | -    | 39.0                            | 3.3                           | 38.5                    | 35.2 | 30.0 | 24.6 | 19.3 | -    |
|                        | 62      | 38.8                                 | 3.0                           | 38.8                    | 38.8 | 37.2 | 31.9 | 26.7 | 21.4 | 37.4                            | 3.3                           | 37.4                    | 37.0 | 34.4 | 29.1 | 23.7 | 18.4 |
|                        | 57      | 37.2                                 | 3.0                           | 37.2                    | 37.2 | 35.3 | 30.0 | 24.7 | 19.4 | 35.4                            | 3.3                           | 35.4                    | 35.4 | 33.5 | 28.1 | 22.8 | 17.4 |
|                        | 77      | 49.6                                 | 3.0                           | 30.7                    | 22.7 | 16.7 | -    | -    | -    | 47.2                            | 3.4                           | 33.2                    | 23.1 | 16.8 | -    | -    | -    |
| 1400                   | 72      | 46.4                                 | 3.0                           | 36.9                    | 31.0 | 25.0 | 19.0 | -    | -    | 43.5                            | 3.3                           | 36.6                    | 30.5 | 24.4 | 18.4 | -    | -    |
|                        | 67      | 43.2                                 | 3.0                           | 43.2                    | 39.2 | 33.3 | 27.3 | 21.3 | -    | 39.9                            | 3.3                           | 39.9                    | 37.9 | 32.0 | 26.0 | 19.9 | -    |
|                        | 62      | 40.4                                 | 3.0                           | 40.4                    | 40.4 | 40.0 | 34.0 | 28.1 | 22.1 | 38.3                            | 3.3                           | 38.3                    | 38.3 | 36.8 | 30.8 | 24.7 | 18.6 |
|                        | 57      | 38.7                                 | 3.0                           | 38.7                    | 38.7 | 37.9 | 32.0 | 26.0 | 20.0 | 36.1                            | 3.3                           | 36.1                    | 36.1 | 35.8 | 29.7 | 23.6 | 17.6 |
|                        | 72      | 46.5                                 | 3.0                           | 39.8                    | 33.3 | 26.7 | 20.2 | -    | -    | 43.9                            | 3.4                           | 39.3                    | 32.7 | 26.1 | 19.5 | -    | -    |
| 1575                   | 67      | 43.3                                 | 3.0                           | 43.3                    | 41.3 | 35.6 | 29.0 | 22.5 | -    | 40.3                            | 3.3                           | 40.3                    | 39.3 | 34.2 | 27.6 | 20.9 | -    |
|                        | 62      | 40.5                                 | 3.0                           | 40.5                    | 40.5 | 40.3 | 33.7 | 27.2 | 20.6 | 38.6                            | 3.3                           | 38.6                    | 38.6 | 37.9 | 31.3 | 24.7 | 18.1 |
|                        | 57      | 38.8                                 | 3.0                           | 38.8                    | 38.8 | 38.4 | 31.8 | 25.3 | 18.7 | 36.5                            | 3.3                           | 36.5                    | 36.5 | 36.3 | 29.7 | 23.1 | 16.4 |
|                        | 72      | 46.5                                 | 3.0                           | 42.7                    | 35.6 | 28.4 | 21.3 | -    | -    | 44.4                            | 3.4                           | 42.1                    | 34.9 | 27.7 | 20.5 | -    | -    |
| 1750                   | 67      | 43.3                                 | 3.0                           | 43.3                    | 43.3 | 37.9 | 30.8 | 23.7 | -    | 40.6                            | 3.3                           | 40.6                    | 40.6 | 36.3 | 29.2 | 22.0 | -    |
|                        | 62      | 40.5                                 | 3.0                           | 40.5                    | 40.5 | 40.5 | 33.4 | 26.3 | 19.2 | 39.0                            | 3.3                           | 39.0                    | 39.0 | 39.0 | 31.8 | 24.6 | 17.5 |
|                        | 57      | 38.8                                 | 3.0                           | 38.8                    | 38.8 | 38.8 | 31.7 | 24.6 | 17.5 | 36.9                            | 3.3                           | 36.9                    | 36.9 | 36.9 | 29.7 | 22.5 | 15.3 |

**DNQ042 (3.5 Ton) (Continued)**

| Air on Evaporator Coil |         | Temperature of Air on Condenser Coil |                               |                         |      |      |      |      |      |                                 |                               |                         |      |      |      |      |      |
|------------------------|---------|--------------------------------------|-------------------------------|-------------------------|------|------|------|------|------|---------------------------------|-------------------------------|-------------------------|------|------|------|------|------|
| CFM                    | WB (°F) | Net Capacity <sup>1</sup> (MBh)      | Total Input (kW) <sup>2</sup> | Sensible Capacity (MBh) |      |      |      |      |      | Net Capacity <sup>1</sup> (MBh) | Total Input (kW) <sup>2</sup> | Sensible Capacity (MBh) |      |      |      |      |      |
|                        |         |                                      |                               | Return Dry Bulb (°F)    |      |      |      |      |      |                                 |                               | Return Dry Bulb (°F)    |      |      |      |      |      |
|                        |         |                                      |                               | 90                      | 85   | 80   | 75   | 70   | 65   |                                 |                               | 90                      | 85   | 80   | 75   | 70   | 65   |
|                        |         |                                      |                               | <b>115°F</b>            |      |      |      |      |      | <b>125°F</b>                    |                               |                         |      |      |      |      |      |
| 1225                   | 77      | 44.7                                 | 3.7                           | 30.2                    | 21.6 | 16.0 | -    | -    | -    | 43.2                            | 4.1                           | 32.3                    | 23.0 | 16.2 | -    | -    | -    |
|                        | 72      | 40.6                                 | 3.7                           | 33.4                    | 27.9 | 22.5 | 17.1 | -    | -    | 38.6                            | 4.0                           | 33.2                    | 27.7 | 22.2 | 16.7 | -    | -    |
|                        | 67      | 36.5                                 | 3.7                           | 36.5                    | 34.3 | 29.0 | 23.6 | 18.2 | -    | 34.0                            | 4.0                           | 34.0                    | 33.3 | 28.1 | 22.6 | 17.1 | -    |
|                        | 62      | 36.1                                 | 3.7                           | 36.1                    | 35.3 | 31.7 | 26.3 | 20.8 | 15.4 | 34.7                            | 4.0                           | 34.7                    | 33.5 | 28.9 | 23.4 | 17.9 | 12.4 |
|                        | 57      | 33.6                                 | 3.7                           | 33.6                    | 33.6 | 31.7 | 26.2 | 20.8 | 15.4 | 31.8                            | 4.0                           | 31.8                    | 31.8 | 29.8 | 24.3 | 18.8 | 13.3 |
| 1400                   | 77      | 44.7                                 | 3.7                           | 35.8                    | 23.5 | 17.0 | -    | -    | -    | 42.2                            | 4.1                           | 38.4                    | 25.9 | 17.1 | -    | -    | -    |
|                        | 72      | 40.6                                 | 3.7                           | 36.2                    | 30.0 | 23.9 | 17.8 | -    | -    | 37.7                            | 4.1                           | 35.8                    | 29.6 | 23.4 | 17.1 | -    | -    |
|                        | 67      | 36.5                                 | 3.7                           | 36.5                    | 36.5 | 30.8 | 24.7 | 18.6 | -    | 33.2                            | 4.1                           | 33.2                    | 33.2 | 29.6 | 23.4 | 17.2 | -    |
|                        | 62      | 36.1                                 | 3.7                           | 36.1                    | 36.1 | 33.6 | 27.5 | 21.3 | 15.2 | 33.9                            | 4.0                           | 33.9                    | 33.9 | 30.4 | 24.2 | 18.0 | 11.8 |
|                        | 57      | 33.6                                 | 3.7                           | 33.6                    | 33.6 | 33.6 | 27.5 | 21.3 | 15.2 | 31.0                            | 4.0                           | 31.0                    | 31.0 | 31.0 | 25.2 | 19.0 | 12.8 |
| 1575                   | 72      | 41.4                                 | 3.7                           | 38.8                    | 32.1 | 25.4 | 18.7 | -    | -    | 38.9                            | 4.1                           | 38.3                    | 31.6 | 24.8 | 18.0 | -    | -    |
|                        | 67      | 37.3                                 | 3.7                           | 37.3                    | 37.3 | 32.8 | 26.1 | 19.4 | -    | 34.2                            | 4.1                           | 34.2                    | 34.2 | 31.4 | 24.7 | 17.9 | -    |
|                        | 62      | 36.8                                 | 3.7                           | 36.8                    | 36.8 | 35.6 | 28.9 | 22.2 | 15.5 | 35.0                            | 4.0                           | 35.0                    | 35.0 | 33.2 | 26.5 | 19.7 | 12.9 |
|                        | 57      | 34.2                                 | 3.7                           | 34.2                    | 34.2 | 34.2 | 27.6 | 20.9 | 14.2 | 32.0                            | 4.0                           | 32.0                    | 32.0 | 32.0 | 25.4 | 18.7 | 11.9 |
|                        | 1750    | 72                                   | 42.2                          | 3.7                     | 41.5 | 34.2 | 27.0 | 19.7 | -    | -                               | 40.1                          | 4.1                     | 40.1 | 33.6 | 26.2 | 18.9 | -    |
| 67                     |         | 38.0                                 | 3.7                           | 38.0                    | 38.0 | 34.8 | 27.6 | 20.3 | -    | 35.3                            | 4.1                           | 35.3                    | 35.3 | 33.3 | 25.9 | 18.6 | -    |
| 62                     |         | 37.5                                 | 3.7                           | 37.5                    | 37.5 | 37.5 | 30.3 | 23.0 | 15.8 | 36.0                            | 4.0                           | 36.0                    | 36.0 | 36.0 | 28.7 | 21.4 | 14.1 |
| 57                     |         | 34.9                                 | 3.7                           | 34.9                    | 34.9 | 34.9 | 27.7 | 20.4 | 13.2 | 33.0                            | 4.0                           | 33.0                    | 33.0 | 33.0 | 25.6 | 18.3 | 11.0 |

1. These capacities are Net Capacities.
2. These ratings include the compressor, condenser fan and supply air blower motors.

## DNQ048 (4.0 Ton)

| Air on Evaporator Coil |         | Temperature of Air on Condenser Coil |                               |                         |      |      |      |      |      |                                 |                               |                         |      |      |      |      |      |
|------------------------|---------|--------------------------------------|-------------------------------|-------------------------|------|------|------|------|------|---------------------------------|-------------------------------|-------------------------|------|------|------|------|------|
| CFM                    | WB (°F) | Net Capacity <sup>1</sup> (MBh)      | Total Input (kW) <sup>2</sup> | Sensible Capacity (MBh) |      |      |      |      |      | Net Capacity <sup>1</sup> (MBh) | Total Input (kW) <sup>2</sup> | Sensible Capacity (MBh) |      |      |      |      |      |
|                        |         |                                      |                               | Return Dry Bulb (°F)    |      |      |      |      |      |                                 |                               | Return Dry Bulb (°F)    |      |      |      |      |      |
|                        |         |                                      |                               | 90                      | 85   | 80   | 75   | 70   | 65   |                                 |                               | 90                      | 85   | 80   | 75   | 70   | 65   |
|                        |         |                                      |                               | 75°F                    |      |      |      |      |      | 85°F                            |                               |                         |      |      |      |      |      |
| 1400                   | 77      | 58.8                                 | 2.6                           | 31.6                    | 26.4 | 20.6 | -    | -    | -    | 56.2                            | 3.0                           | 31.9                    | 25.9 | 20.1 | -    | -    | -    |
|                        | 72      | 55.0                                 | 2.6                           | 40.1                    | 34.3 | 28.5 | 22.7 | -    | -    | 52.6                            | 3.0                           | 39.6                    | 33.8 | 27.9 | 22.0 | -    | -    |
|                        | 67      | 51.2                                 | 2.6                           | 48.6                    | 42.2 | 36.4 | 30.6 | 24.8 | -    | 49.0                            | 3.0                           | 47.3                    | 41.6 | 35.7 | 29.8 | 24.0 | -    |
|                        | 62      | 45.7                                 | 2.6                           | 45.7                    | 45.7 | 44.3 | 38.6 | 32.8 | 27.0 | 45.7                            | 2.9                           | 45.7                    | 45.7 | 43.2 | 37.3 | 31.5 | 25.6 |
|                        | 57      | 45.6                                 | 2.5                           | 45.6                    | 45.6 | 41.7 | 35.9 | 30.2 | 24.4 | 44.2                            | 2.9                           | 44.2                    | 44.2 | 40.7 | 34.8 | 29.0 | 23.1 |
| 1500                   | 77      | 58.8                                 | 2.6                           | 32.5                    | 27.5 | 21.2 | -    | -    | -    | 56.0                            | 3.0                           | 33.2                    | 26.8 | 20.5 | -    | -    | -    |
|                        | 72      | 55.0                                 | 2.6                           | 41.9                    | 35.6 | 29.4 | 23.2 | -    | -    | 52.4                            | 3.0                           | 41.0                    | 34.8 | 28.5 | 22.3 | -    | -    |
|                        | 67      | 51.2                                 | 2.6                           | 51.2                    | 43.8 | 37.6 | 31.4 | 25.2 | -    | 48.8                            | 3.0                           | 48.8                    | 42.8 | 36.5 | 30.3 | 24.0 | -    |
|                        | 62      | 45.7                                 | 2.6                           | 45.7                    | 45.7 | 45.7 | 39.6 | 33.4 | 27.2 | 45.5                            | 3.0                           | 45.5                    | 45.5 | 44.2 | 38.0 | 31.7 | 25.5 |
|                        | 57      | 45.6                                 | 2.5                           | 45.6                    | 45.6 | 43.1 | 36.9 | 30.7 | 24.5 | 44.1                            | 2.9                           | 44.1                    | 44.1 | 41.6 | 35.4 | 29.1 | 22.9 |
| 1650                   | 72      | 55.0                                 | 2.6                           | 44.3                    | 37.6 | 30.9 | 24.2 | -    | -    | 52.0                            | 3.0                           | 43.4                    | 36.7 | 29.9 | 23.2 | -    | -    |
|                        | 67      | 51.2                                 | 2.6                           | 51.2                    | 46.7 | 39.5 | 32.8 | 26.1 | -    | 48.5                            | 3.0                           | 48.5                    | 45.1 | 38.3 | 31.6 | 24.8 | -    |
|                        | 62      | 45.7                                 | 2.6                           | 45.7                    | 45.7 | 45.7 | 39.1 | 32.4 | 25.7 | 45.2                            | 3.0                           | 45.2                    | 45.2 | 44.5 | 37.8 | 31.0 | 24.2 |
|                        | 57      | 45.6                                 | 2.5                           | 45.6                    | 45.6 | 44.3 | 37.6 | 30.9 | 24.2 | 43.8                            | 2.9                           | 43.8                    | 43.8 | 42.5 | 35.8 | 29.0 | 22.2 |
|                        | 1800    | 72                                   | 54.9                          | 2.6                     | 46.7 | 39.6 | 32.4 | 25.2 | -    | -                               | 51.6                          | 3.0                     | 45.9 | 38.6 | 31.3 | 24.0 | -    |
| 67                     |         | 51.1                                 | 2.6                           | 51.1                    | 49.7 | 41.4 | 34.2 | 27.0 | -    | 48.1                            | 3.0                           | 48.1                    | 47.4 | 40.1 | 32.8 | 25.6 | -    |
| 62                     |         | 45.7                                 | 2.6                           | 45.7                    | 45.7 | 45.7 | 38.5 | 31.4 | 24.2 | 44.8                            | 2.9                           | 44.8                    | 44.8 | 44.8 | 37.6 | 30.3 | 23.0 |
| 57                     |         | 45.6                                 | 2.5                           | 45.6                    | 45.6 | 45.6 | 38.4 | 31.2 | 24.0 | 43.4                            | 2.9                           | 43.4                    | 43.4 | 43.4 | 36.2 | 28.9 | 21.6 |
|                        |         |                                      |                               | 95°F                    |      |      |      |      |      | 105°F                           |                               |                         |      |      |      |      |      |
| 1400                   | 77      | 53.5                                 | 3.4                           | 32.2                    | 25.5 | 19.6 | -    | -    | -    | 50.4                            | 3.8                           | 32.6                    | 24.5 | 18.5 | -    | -    | -    |
|                        | 72      | 50.2                                 | 3.3                           | 39.2                    | 33.2 | 27.3 | 21.4 | -    | -    | 47.3                            | 3.8                           | 38.3                    | 32.2 | 26.2 | 20.2 | -    | -    |
|                        | 67      | 46.8                                 | 3.3                           | 46.1                    | 41.0 | 35.0 | 29.1 | 23.1 | -    | 44.3                            | 3.8                           | 43.9                    | 40.0 | 34.0 | 27.9 | 21.9 | -    |
|                        | 62      | 45.6                                 | 3.3                           | 45.6                    | 45.6 | 42.1 | 36.1 | 30.2 | 24.3 | 43.6                            | 3.7                           | 43.6                    | 43.2 | 39.0 | 33.0 | 27.0 | 20.9 |
|                        | 57      | 42.9                                 | 3.3                           | 42.9                    | 42.9 | 39.6 | 33.7 | 27.8 | 21.8 | 42.5                            | 3.7                           | 42.5                    | 42.1 | 38.0 | 32.0 | 26.0 | 20.0 |
| 1500                   | 77      | 53.1                                 | 3.4                           | 33.9                    | 26.1 | 19.8 | -    | -    | -    | 49.9                            | 3.8                           | 35.2                    | 25.2 | 18.8 | -    | -    | -    |
|                        | 72      | 49.8                                 | 3.3                           | 40.2                    | 33.9 | 27.6 | 21.4 | -    | -    | 46.8                            | 3.8                           | 39.5                    | 33.1 | 26.7 | 20.3 | -    | -    |
|                        | 67      | 46.4                                 | 3.3                           | 46.4                    | 41.7 | 35.5 | 29.2 | 22.9 | -    | 43.8                            | 3.7                           | 43.8                    | 41.0 | 34.6 | 28.2 | 21.8 | -    |
|                        | 62      | 45.2                                 | 3.3                           | 45.2                    | 45.2 | 42.6 | 36.3 | 30.1 | 23.8 | 43.1                            | 3.7                           | 43.1                    | 43.1 | 39.7 | 33.3 | 26.9 | 20.5 |
|                        | 57      | 42.5                                 | 3.3                           | 42.5                    | 42.5 | 40.1 | 33.9 | 27.6 | 21.3 | 42.0                            | 3.7                           | 42.0                    | 42.0 | 38.7 | 32.3 | 25.9 | 19.5 |
| 1650                   | 72      | 49.1                                 | 3.3                           | 42.6                    | 35.8 | 28.9 | 22.1 | -    | -    | 45.8                            | 3.8                           | 41.3                    | 34.7 | 27.8 | 20.9 | -    | -    |
|                        | 67      | 45.7                                 | 3.3                           | 45.7                    | 43.4 | 37.1 | 30.3 | 23.5 | -    | 42.8                            | 3.7                           | 42.8                    | 41.4 | 36.0 | 29.1 | 22.1 | -    |
|                        | 62      | 44.6                                 | 3.3                           | 44.6                    | 44.6 | 43.3 | 36.5 | 29.6 | 22.8 | 42.2                            | 3.7                           | 42.2                    | 42.2 | 40.4 | 33.5 | 26.6 | 19.6 |
|                        | 57      | 41.9                                 | 3.3                           | 41.9                    | 41.9 | 40.7 | 33.9 | 27.1 | 20.3 | 41.1                            | 3.7                           | 41.1                    | 41.1 | 39.4 | 32.5 | 25.5 | 18.6 |
|                        | 1800    | 72                                   | 48.3                          | 3.3                     | 45.0 | 37.6 | 30.2 | 22.9 | -    | -                               | 44.8                          | 3.8                     | 43.1 | 36.4 | 28.9 | 21.5 | -    |
| 67                     |         | 45.1                                 | 3.3                           | 45.1                    | 45.1 | 38.8 | 31.5 | 24.1 | -    | 41.9                            | 3.7                           | 41.9                    | 41.9 | 37.5 | 30.0 | 22.5 | -    |
| 62                     |         | 44.0                                 | 3.3                           | 44.0                    | 44.0 | 44.0 | 36.6 | 29.2 | 21.8 | 41.2                            | 3.7                           | 41.2                    | 41.2 | 41.2 | 33.7 | 26.3 | 18.8 |
| 57                     |         | 41.3                                 | 3.3                           | 41.3                    | 41.3 | 41.3 | 33.9 | 26.6 | 19.2 | 40.1                            | 3.7                           | 40.1                    | 40.1 | 40.1 | 32.6 | 25.2 | 17.7 |

**DNQ048 (4.0 Ton) (Continued)**

| Air on Evaporator Coil |         | Temperature of Air on Condenser Coil |                               |                         |      |      |      |      |      |                                 |                               |                         |      |      |      |      |      |
|------------------------|---------|--------------------------------------|-------------------------------|-------------------------|------|------|------|------|------|---------------------------------|-------------------------------|-------------------------|------|------|------|------|------|
| CFM                    | WB (°F) | Net Capacity <sup>1</sup> (MBh)      | Total Input (kW) <sup>2</sup> | Sensible Capacity (MBh) |      |      |      |      |      | Net Capacity <sup>1</sup> (MBh) | Total Input (kW) <sup>2</sup> | Sensible Capacity (MBh) |      |      |      |      |      |
|                        |         |                                      |                               | Return Dry Bulb (°F)    |      |      |      |      |      |                                 |                               | Return Dry Bulb (°F)    |      |      |      |      |      |
|                        |         |                                      |                               | 90                      | 85   | 80   | 75   | 70   | 65   |                                 |                               | 90                      | 85   | 80   | 75   | 70   | 65   |
|                        |         |                                      |                               | 115°F                   |      |      |      |      |      | 125°F                           |                               |                         |      |      |      |      |      |
| 1400                   | 77      | 47.2                                 | 4.2                           | 32.9                    | 23.5 | 17.4 | -    | -    | -    | 44.1                            | 4.6                           | 33.6                    | 23.0 | 16.4 | -    | -    | -    |
|                        | 72      | 44.5                                 | 4.2                           | 37.4                    | 31.3 | 25.2 | 19.1 | -    | -    | 41.7                            | 4.6                           | 36.4                    | 30.3 | 24.1 | 17.9 | -    | -    |
|                        | 67      | 41.8                                 | 4.2                           | 41.8                    | 39.0 | 32.9 | 26.8 | 20.7 | -    | 39.3                            | 4.6                           | 39.3                    | 38.0 | 31.8 | 25.6 | 19.5 | -    |
|                        | 62      | 41.5                                 | 4.2                           | 41.5                    | 40.8 | 35.9 | 29.8 | 23.7 | 17.6 | 39.5                            | 4.6                           | 39.5                    | 38.5 | 32.8 | 26.6 | 20.5 | 14.3 |
|                        | 57      | 42.0                                 | 4.2                           | 42.0                    | 41.4 | 36.4 | 30.3 | 24.2 | 18.1 | 41.6                            | 4.6                           | 41.6                    | 40.6 | 34.8 | 28.6 | 22.5 | 16.3 |
| 1500                   | 77      | 46.6                                 | 4.2                           | 36.4                    | 24.4 | 17.9 | -    | -    | -    | 43.4                            | 4.6                           | 37.7                    | 24.3 | 16.9 | -    | -    | -    |
|                        | 72      | 43.9                                 | 4.2                           | 38.8                    | 32.3 | 25.8 | 19.2 | -    | -    | 41.0                            | 4.6                           | 38.2                    | 31.5 | 24.8 | 18.2 | -    | -    |
|                        | 67      | 41.2                                 | 4.2                           | 41.2                    | 40.2 | 33.7 | 27.1 | 20.6 | -    | 38.6                            | 4.6                           | 38.6                    | 38.6 | 32.8 | 26.1 | 19.4 | -    |
|                        | 62      | 41.0                                 | 4.1                           | 41.0                    | 41.0 | 36.8 | 30.2 | 23.7 | 17.2 | 38.8                            | 4.6                           | 38.8                    | 38.8 | 33.8 | 27.2 | 20.5 | 13.8 |
|                        | 57      | 41.5                                 | 4.1                           | 41.5                    | 41.5 | 37.3 | 30.8 | 24.2 | 17.7 | 41.0                            | 4.6                           | 41.0                    | 41.0 | 35.9 | 29.2 | 22.5 | 15.9 |
| 1650                   | 72      | 42.6                                 | 4.2                           | 40.0                    | 33.7 | 26.7 | 19.6 | -    | -    | 39.3                            | 4.6                           | 38.7                    | 32.7 | 25.6 | 18.4 | -    | -    |
|                        | 67      | 39.9                                 | 4.2                           | 39.9                    | 39.4 | 34.9 | 27.8 | 20.8 | -    | 37.0                            | 4.6                           | 37.0                    | 37.0 | 33.7 | 26.6 | 19.4 | -    |
|                        | 62      | 39.7                                 | 4.2                           | 39.7                    | 39.7 | 37.6 | 30.5 | 23.5 | 16.4 | 37.3                            | 4.6                           | 37.3                    | 37.3 | 34.8 | 27.6 | 20.4 | 13.3 |
|                        | 57      | 40.2                                 | 4.1                           | 40.2                    | 40.2 | 38.1 | 31.1 | 24.0 | 17.0 | 39.3                            | 4.6                           | 39.3                    | 39.3 | 36.8 | 29.6 | 22.5 | 15.3 |
|                        | 72      | 41.2                                 | 4.2                           | 41.2                    | 35.2 | 27.6 | 20.1 | -    | -    | 37.6                            | 4.6                           | 37.6                    | 34.0 | 26.3 | 18.6 | -    | -    |
| 1800                   | 67      | 38.7                                 | 4.2                           | 38.7                    | 38.7 | 36.1 | 28.5 | 21.0 | -    | 35.4                            | 4.6                           | 35.4                    | 35.4 | 34.7 | 27.1 | 19.4 | -    |
|                        | 62      | 38.4                                 | 4.2                           | 38.4                    | 38.4 | 38.4 | 30.9 | 23.3 | 15.7 | 35.7                            | 4.6                           | 35.7                    | 35.7 | 35.7 | 28.0 | 20.4 | 12.7 |
|                        | 57      | 38.9                                 | 4.2                           | 38.9                    | 38.9 | 38.9 | 31.4 | 23.8 | 16.2 | 37.7                            | 4.6                           | 37.7                    | 37.7 | 37.7 | 30.1 | 22.4 | 14.7 |

1. These capacities are Net Capacities.
2. These ratings include the compressor, condenser fan and supply air blower motors.

## DNQ060 (5.0 Ton)

| Air on Evaporator Coil |         | Temperature of Air on Condenser Coil |                               |                         |      |      |      |      |      |                                 |                               |                         |      |      |      |      |      |
|------------------------|---------|--------------------------------------|-------------------------------|-------------------------|------|------|------|------|------|---------------------------------|-------------------------------|-------------------------|------|------|------|------|------|
| CFM                    | WB (°F) | Net Capacity <sup>1</sup> (MBh)      | Total Input (kW) <sup>2</sup> | Sensible Capacity (MBh) |      |      |      |      |      | Net Capacity <sup>1</sup> (MBh) | Total Input (kW) <sup>2</sup> | Sensible Capacity (MBh) |      |      |      |      |      |
|                        |         |                                      |                               | Return Dry Bulb (°F)    |      |      |      |      |      |                                 |                               | Return Dry Bulb (°F)    |      |      |      |      |      |
|                        |         |                                      |                               | 90                      | 85   | 80   | 75   | 70   | 65   |                                 |                               | 90                      | 85   | 80   | 75   | 70   | 65   |
|                        |         |                                      |                               | 75°F                    |      |      |      |      |      | 85°F                            |                               |                         |      |      |      |      |      |
| 1550                   | 77      | 66.9                                 | 3.3                           | 34.4                    | 28.0 | 21.6 | -    | -    | -    | 65.1                            | 3.7                           | 32.9                    | 26.6 | 20.2 | -    | -    | -    |
|                        | 72      | 61.6                                 | 3.2                           | 43.2                    | 36.8 | 30.4 | 24.0 | -    | -    | 60.4                            | 3.7                           | 42.3                    | 36.0 | 29.6 | 23.3 | -    | -    |
|                        | 67      | 56.2                                 | 3.2                           | 52.1                    | 45.7 | 39.3 | 32.9 | 26.5 | -    | 55.7                            | 3.6                           | 51.7                    | 45.4 | 39.0 | 32.7 | 26.3 | -    |
|                        | 62      | 51.9                                 | 3.2                           | 51.9                    | 51.9 | 47.1 | 40.7 | 34.3 | 27.8 | 51.4                            | 3.6                           | 51.4                    | 51.4 | 45.6 | 39.3 | 32.9 | 26.6 |
|                        | 57      | 51.4                                 | 3.2                           | 51.4                    | 51.4 | 47.5 | 41.1 | 34.7 | 28.3 | 50.8                            | 3.6                           | 50.8                    | 50.8 | 45.7 | 39.4 | 33.0 | 26.7 |
| 1650                   | 77      | 71.0                                 | 3.3                           | 36.0                    | 30.4 | 23.8 | -    | -    | -    | 67.6                            | 3.7                           | 35.5                    | 28.8 | 22.1 | -    | -    | -    |
|                        | 72      | 65.4                                 | 3.2                           | 46.8                    | 40.1 | 33.5 | 26.8 | -    | -    | 62.7                            | 3.7                           | 45.7                    | 39.0 | 32.4 | 25.7 | -    | -    |
|                        | 67      | 59.7                                 | 3.2                           | 57.6                    | 49.8 | 43.2 | 36.5 | 29.8 | -    | 57.9                            | 3.6                           | 55.9                    | 49.3 | 42.6 | 36.0 | 29.3 | -    |
|                        | 62      | 55.1                                 | 3.2                           | 55.1                    | 55.1 | 51.7 | 45.0 | 38.4 | 31.7 | 53.3                            | 3.6                           | 53.3                    | 53.3 | 49.9 | 43.2 | 36.6 | 29.9 |
|                        | 57      | 54.5                                 | 3.2                           | 54.5                    | 54.5 | 52.2 | 45.6 | 38.9 | 32.2 | 52.7                            | 3.6                           | 52.7                    | 52.7 | 50.0 | 43.3 | 36.7 | 30.0 |
| 1750                   | 77      | 75.1                                 | 3.3                           | 37.6                    | 32.8 | 25.9 | -    | -    | -    | 70.1                            | 3.7                           | 38.0                    | 30.9 | 24.0 | -    | -    | -    |
|                        | 72      | 69.1                                 | 3.2                           | 50.4                    | 43.4 | 36.5 | 29.5 | -    | -    | 65.0                            | 3.7                           | 49.0                    | 42.1 | 35.1 | 28.2 | -    | -    |
|                        | 67      | 63.2                                 | 3.2                           | 63.2                    | 54.0 | 47.1 | 40.1 | 33.1 | -    | 60.0                            | 3.6                           | 60.0                    | 53.2 | 46.3 | 39.3 | 32.4 | -    |
|                        | 62      | 58.3                                 | 3.2                           | 58.3                    | 58.3 | 56.4 | 49.4 | 42.5 | 35.5 | 55.3                            | 3.6                           | 55.3                    | 55.3 | 54.1 | 47.2 | 40.2 | 33.3 |
|                        | 57      | 57.7                                 | 3.2                           | 57.7                    | 57.7 | 57.0 | 50.0 | 43.0 | 36.1 | 54.7                            | 3.6                           | 54.7                    | 54.7 | 54.2 | 47.3 | 40.3 | 33.4 |
| 2000                   | 72      | 69.3                                 | 3.2                           | 51.8                    | 44.2 | 36.7 | 29.1 | -    | -    | 65.0                            | 3.7                           | 50.3                    | 42.6 | 34.8 | 27.0 | -    | -    |
|                        | 67      | 63.4                                 | 3.2                           | 63.4                    | 54.9 | 47.3 | 39.8 | 32.2 | -    | 59.9                            | 3.6                           | 59.9                    | 53.6 | 45.8 | 38.0 | 30.2 | -    |
|                        | 62      | 58.5                                 | 3.2                           | 58.5                    | 58.5 | 56.7 | 49.1 | 41.6 | 34.0 | 55.2                            | 3.6                           | 55.2                    | 55.2 | 53.6 | 45.8 | 38.0 | 30.2 |
|                        | 57      | 57.9                                 | 3.2                           | 57.9                    | 57.9 | 57.2 | 49.7 | 42.1 | 34.6 | 54.6                            | 3.6                           | 54.6                    | 54.6 | 53.7 | 45.9 | 38.1 | 30.3 |
|                        |         |                                      |                               | 95°F                    |      |      |      |      |      | 105°F                           |                               |                         |      |      |      |      |      |
| 1550                   | 77      | 63.3                                 | 4.1                           | 31.4                    | 25.1 | 18.8 | -    | -    | -    | 59.3                            | 4.4                           | 36.6                    | 29.5 | 23.1 | -    | -    | -    |
|                        | 72      | 59.2                                 | 4.1                           | 41.4                    | 35.1 | 28.8 | 22.5 | -    | -    | 55.2                            | 4.5                           | 42.9                    | 36.5 | 30.1 | 23.7 | -    | -    |
|                        | 67      | 55.2                                 | 4.1                           | 51.4                    | 45.1 | 38.8 | 32.4 | 26.1 | -    | 51.1                            | 4.6                           | 49.1                    | 43.5 | 37.1 | 30.7 | 24.3 | -    |
|                        | 62      | 50.8                                 | 4.0                           | 50.8                    | 50.5 | 44.2 | 37.9 | 31.6 | 25.3 | 47.4                            | 4.5                           | 47.4                    | 47.3 | 44.2 | 37.7 | 31.3 | 24.9 |
|                        | 57      | 50.2                                 | 4.0                           | 50.2                    | 50.2 | 43.9 | 37.6 | 31.3 | 25.0 | 47.3                            | 4.4                           | 47.3                    | 47.3 | 44.1 | 37.7 | 31.3 | 24.9 |
| 1650                   | 77      | 64.2                                 | 4.1                           | 34.9                    | 27.1 | 20.5 | -    | -    | -    | 60.1                            | 4.5                           | 39.1                    | 30.7 | 23.8 | -    | -    | -    |
|                        | 72      | 60.1                                 | 4.1                           | 44.5                    | 37.9 | 31.3 | 24.7 | -    | -    | 55.9                            | 4.6                           | 45.0                    | 38.1 | 31.2 | 24.4 | -    | -    |
|                        | 67      | 56.0                                 | 4.1                           | 54.1                    | 48.7 | 42.1 | 35.5 | 28.9 | -    | 51.8                            | 4.6                           | 50.8                    | 45.5 | 38.6 | 31.8 | 24.9 | -    |
|                        | 62      | 51.5                                 | 4.0                           | 51.5                    | 51.4 | 48.1 | 41.4 | 34.8 | 28.2 | 48.1                            | 4.5                           | 48.1                    | 48.0 | 46.4 | 39.5 | 32.6 | 25.8 |
|                        | 57      | 50.9                                 | 4.0                           | 50.9                    | 50.9 | 47.7 | 41.1 | 34.5 | 27.8 | 47.9                            | 4.5                           | 47.9                    | 47.9 | 46.3 | 39.5 | 32.6 | 25.8 |
| 1750                   | 77      | 65.1                                 | 4.1                           | 38.4                    | 29.0 | 22.1 | -    | -    | -    | 60.9                            | 4.6                           | 41.5                    | 31.9 | 24.6 | -    | -    | -    |
|                        | 72      | 60.9                                 | 4.1                           | 47.6                    | 40.7 | 33.8 | 26.8 | -    | -    | 56.7                            | 4.6                           | 47.0                    | 39.7 | 32.4 | 25.1 | -    | -    |
|                        | 67      | 56.8                                 | 4.1                           | 56.8                    | 52.4 | 45.4 | 38.5 | 31.6 | -    | 52.5                            | 4.7                           | 52.5                    | 47.5 | 40.2 | 32.9 | 25.6 | -    |
|                        | 62      | 52.2                                 | 4.0                           | 52.2                    | 52.2 | 51.9 | 44.9 | 38.0 | 31.1 | 48.8                            | 4.6                           | 48.8                    | 48.8 | 48.6 | 41.3 | 34.0 | 26.7 |
|                        | 57      | 51.6                                 | 4.0                           | 51.6                    | 51.6 | 51.5 | 44.6 | 37.6 | 30.7 | 48.6                            | 4.5                           | 48.6                    | 48.6 | 48.5 | 41.2 | 33.9 | 26.6 |
| 2000                   | 72      | 60.6                                 | 4.1                           | 48.9                    | 40.9 | 32.9 | 24.8 | -    | -    | 56.5                            | 4.5                           | 50.6                    | 42.6 | 34.6 | 26.6 | -    | -    |
|                        | 67      | 56.5                                 | 4.0                           | 56.5                    | 52.2 | 44.2 | 36.2 | 28.2 | -    | 52.3                            | 4.6                           | 52.3                    | 50.2 | 42.6 | 34.6 | 26.6 | -    |
|                        | 62      | 52.0                                 | 4.0                           | 52.0                    | 52.0 | 50.5 | 42.5 | 34.5 | 26.4 | 48.6                            | 4.4                           | 48.6                    | 48.6 | 47.8 | 39.8 | 31.8 | 23.8 |
|                        | 57      | 51.4                                 | 4.0                           | 51.4                    | 51.4 | 50.1 | 42.1 | 34.1 | 26.1 | 48.4                            | 4.4                           | 48.4                    | 48.4 | 47.8 | 39.8 | 31.8 | 23.7 |

**DNQ060 (5.0 Ton) (Continued)**

| Air on Evaporator Coil |         | Temperature of Air on Condenser Coil |                               |                         |      |      |      |      |      |                                 |                               |                         |      |      |      |      |      |
|------------------------|---------|--------------------------------------|-------------------------------|-------------------------|------|------|------|------|------|---------------------------------|-------------------------------|-------------------------|------|------|------|------|------|
| CFM                    | WB (°F) | Net Capacity <sup>1</sup> (MBh)      | Total Input (kW) <sup>2</sup> | Sensible Capacity (MBh) |      |      |      |      |      | Net Capacity <sup>1</sup> (MBh) | Total Input (kW) <sup>2</sup> | Sensible Capacity (MBh) |      |      |      |      |      |
|                        |         |                                      |                               | Return Dry Bulb (°F)    |      |      |      |      |      |                                 |                               | Return Dry Bulb (°F)    |      |      |      |      |      |
|                        |         |                                      |                               | 90                      | 85   | 80   | 75   | 70   | 65   |                                 |                               | 90                      | 85   | 80   | 75   | 70   | 65   |
|                        |         |                                      |                               | <b>115°F</b>            |      |      |      |      |      | <b>125°F</b>                    |                               |                         |      |      |      |      |      |
| 1550                   | 77      | 55.3                                 | 4.8                           | 41.8                    | 33.9 | 27.3 | -    | -    | -    | 51.3                            | 5.1                           | 49.0                    | 38.2 | 31.6 | -    | -    | -    |
|                        | 72      | 51.1                                 | 5.0                           | 44.4                    | 37.9 | 31.4 | 24.9 | -    | -    | 47.0                            | 5.4                           | 45.9                    | 39.3 | 32.6 | 26.0 | -    | -    |
|                        | 67      | 46.9                                 | 5.1                           | 46.9                    | 41.9 | 35.4 | 28.9 | 22.4 | -    | 42.8                            | 5.7                           | 42.8                    | 40.3 | 33.7 | 27.1 | 20.5 | -    |
|                        | 62      | 44.1                                 | 4.9                           | 44.1                    | 44.1 | 44.1 | 37.6 | 31.0 | 24.5 | 40.7                            | 5.3                           | 40.7                    | 40.7 | 40.7 | 37.4 | 30.7 | 24.1 |
|                        | 57      | 44.4                                 | 4.8                           | 44.4                    | 44.4 | 44.4 | 37.8 | 31.3 | 24.8 | 41.4                            | 5.1                           | 41.4                    | 41.4 | 41.4 | 38.0 | 31.4 | 24.7 |
| 1650                   | 77      | 56.0                                 | 4.9                           | 43.2                    | 34.3 | 27.2 | -    | -    | -    | 52.0                            | 5.3                           | 48.3                    | 37.9 | 30.6 | -    | -    | -    |
|                        | 72      | 51.8                                 | 5.1                           | 45.4                    | 38.3 | 31.2 | 24.1 | -    | -    | 47.7                            | 5.5                           | 45.9                    | 38.5 | 31.2 | 23.8 | -    | -    |
|                        | 67      | 47.6                                 | 5.2                           | 47.6                    | 42.3 | 35.2 | 28.1 | 21.0 | -    | 43.4                            | 5.8                           | 43.4                    | 39.1 | 31.8 | 24.4 | 17.1 | -    |
|                        | 62      | 44.7                                 | 5.0                           | 44.7                    | 44.7 | 44.7 | 37.6 | 30.5 | 23.4 | 41.3                            | 5.5                           | 41.3                    | 41.3 | 41.3 | 35.6 | 28.3 | 21.0 |
|                        | 57      | 45.0                                 | 4.9                           | 45.0                    | 45.0 | 45.0 | 37.9 | 30.8 | 23.7 | 42.0                            | 5.3                           | 42.0                    | 42.0 | 42.0 | 36.3 | 28.9 | 21.6 |
| 1750                   | 77      | 56.8                                 | 5.0                           | 44.6                    | 34.8 | 27.1 | -    | -    | -    | 52.7                            | 5.4                           | 47.7                    | 37.6 | 29.6 | -    | -    | -    |
|                        | 72      | 52.5                                 | 5.2                           | 46.4                    | 38.7 | 31.0 | 23.3 | -    | -    | 48.3                            | 5.7                           | 45.8                    | 37.8 | 29.7 | 21.6 | -    | -    |
|                        | 67      | 48.2                                 | 5.3                           | 48.2                    | 42.7 | 35.0 | 27.3 | 19.6 | -    | 43.9                            | 6.0                           | 43.9                    | 37.9 | 29.8 | 21.7 | 13.7 | -    |
|                        | 62      | 45.3                                 | 5.1                           | 45.3                    | 45.3 | 45.3 | 37.6 | 29.9 | 22.2 | 41.8                            | 5.7                           | 41.8                    | 41.8 | 41.8 | 33.9 | 25.8 | 17.8 |
|                        | 57      | 45.6                                 | 5.0                           | 45.6                    | 45.6 | 45.6 | 37.9 | 30.2 | 22.5 | 42.6                            | 5.4                           | 42.6                    | 42.6 | 42.6 | 34.6 | 26.5 | 18.4 |
| 2000                   | 72      | 52.4                                 | 4.9                           | 52.4                    | 44.4 | 36.3 | 28.3 | -    | -    | 48.3                            | 5.3                           | 48.3                    | 46.1 | 38.1 | 30.1 | -    | -    |
|                        | 67      | 48.1                                 | 5.1                           | 48.1                    | 48.1 | 41.0 | 33.0 | 25.0 | -    | 44.0                            | 5.6                           | 44.0                    | 44.0 | 39.4 | 31.4 | 23.3 | -    |
|                        | 62      | 45.2                                 | 4.9                           | 45.2                    | 45.2 | 45.2 | 37.2 | 29.2 | 21.1 | 41.8                            | 5.3                           | 41.8                    | 41.8 | 41.8 | 34.5 | 26.5 | 18.5 |
|                        | 57      | 45.5                                 | 4.7                           | 45.5                    | 45.5 | 45.5 | 37.5 | 29.5 | 21.4 | 42.6                            | 5.1                           | 42.6                    | 42.6 | 42.6 | 35.2 | 27.1 | 19.1 |

1. These capacities are Net Capacities.
2. These ratings include the compressor, condenser fan and supply air blower motors.



## DNY024-060 Cooling Capacities

### DNY024 (2.0 Ton)

| Air on Evaporator Coil |         | Temperature of Air on Condenser Coil |                               |                         |      |      |      |      |      |                                 |                               |                         |      |      |      |      |      |
|------------------------|---------|--------------------------------------|-------------------------------|-------------------------|------|------|------|------|------|---------------------------------|-------------------------------|-------------------------|------|------|------|------|------|
| CFM                    | WB (°F) | Net Capacity <sup>1</sup> (MBh)      | Total Input (kW) <sup>2</sup> | Sensible Capacity (MBh) |      |      |      |      |      | Net Capacity <sup>1</sup> (MBh) | Total Input (kW) <sup>2</sup> | Sensible Capacity (MBh) |      |      |      |      |      |
|                        |         |                                      |                               | Return Dry Bulb (°F)    |      |      |      |      |      |                                 |                               | Return Dry Bulb (°F)    |      |      |      |      |      |
|                        |         |                                      |                               | 90                      | 85   | 80   | 75   | 70   | 65   |                                 |                               | 90                      | 85   | 80   | 75   | 70   | 65   |
|                        |         |                                      |                               | <b>75°F</b>             |      |      |      |      |      | <b>85°F</b>                     |                               |                         |      |      |      |      |      |
| 600                    | 77      | 24.5                                 | 1.2                           | 11.3                    | 8.5  | 8.8  | -    | -    | -    | 23.2                            | 1.4                           | 11.9                    | 9.9  | 8.2  | -    | -    |      |
|                        | 72      | 22.4                                 | 1.2                           | 15.8                    | 12.8 | 11.6 | 9.5  | -    | -    | 21.0                            | 1.4                           | 15.4                    | 13.2 | 11.0 | 8.8  | -    |      |
|                        | 67      | 20.4                                 | 1.2                           | 20.4                    | 17.0 | 14.4 | 11.8 | 9.2  | -    | 18.8                            | 1.4                           | 18.8                    | 16.4 | 13.8 | 11.1 | 8.5  |      |
|                        | 62      | 18.0                                 | 1.2                           | 18.0                    | 18.0 | 17.4 | 13.4 | 9.4  | 5.5  | 16.9                            | 1.3                           | 16.9                    | 16.9 | 16.6 | 12.5 | 8.4  | 4.4  |
|                        | 57      | 19.2                                 | 1.0                           | 19.2                    | 19.2 | 19.0 | 14.8 | 10.5 | 6.3  | 17.5                            | 1.3                           | 17.5                    | 17.5 | 17.3 | 13.2 | 9.0  | 4.8  |
| 800                    | 77      | 31.7                                 | 1.9                           | 14.9                    | 13.2 | 10.7 | -    | -    | -    | 30.3                            | 2.1                           | 15.5                    | 12.8 | 10.2 | -    | -    |      |
|                        | 72      | 29.5                                 | 1.8                           | 20.9                    | 18.0 | 15.1 | 12.2 | -    | -    | 27.9                            | 2.0                           | 20.4                    | 17.4 | 14.5 | 11.5 | -    |      |
|                        | 67      | 27.2                                 | 1.8                           | 26.9                    | 22.8 | 19.5 | 16.3 | 13.0 | -    | 25.5                            | 2.0                           | 25.3                    | 22.0 | 18.8 | 15.5 | 12.2 |      |
|                        | 62      | 24.8                                 | 1.7                           | 24.8                    | 24.8 | 23.9 | 20.5 | 17.2 | 13.8 | 23.4                            | 1.9                           | 23.4                    | 23.4 | 22.9 | 19.5 | 16.0 | 12.5 |
|                        | 57      | 25.3                                 | 1.8                           | 25.3                    | 25.3 | 25.3 | 21.7 | 17.9 | 14.1 | 23.6                            | 2.0                           | 23.6                    | 23.6 | 23.5 | 19.9 | 16.3 | 12.7 |
|                        |         |                                      |                               | <b>95°F</b>             |      |      |      |      |      | <b>105°F</b>                    |                               |                         |      |      |      |      |      |
| 600                    | 77      | 21.8                                 | 1.6                           | 12.4                    | 11.3 | 7.5  | -    | -    | -    | 19.8                            | 1.8                           | 12.9                    | 8.6  | 6.7  | -    | -    |      |
|                        | 72      | 19.6                                 | 1.6                           | 14.9                    | 13.5 | 10.3 | 8.0  | -    | -    | 17.7                            | 1.8                           | 14.3                    | 11.2 | 9.6  | 7.2  | -    |      |
|                        | 67      | 17.3                                 | 1.5                           | 17.3                    | 15.8 | 13.1 | 10.4 | 7.8  | -    | 15.6                            | 1.7                           | 15.6                    | 13.8 | 12.5 | 8.9  | 5.3  |      |
|                        | 62      | 15.8                                 | 1.5                           | 15.8                    | 15.8 | 15.8 | 11.6 | 7.4  | 3.3  | 14.3                            | 1.7                           | 14.3                    | 14.3 | 14.3 | 10.0 | 5.1  | 1.5  |
|                        | 57      | 15.8                                 | 1.5                           | 15.8                    | 15.8 | 15.7 | 11.5 | 7.4  | 3.3  | 14.6                            | 1.7                           | 14.6                    | 14.4 | 14.3 | 10.9 | 7.5  | 4.1  |
| 800                    | 77      | 28.9                                 | 2.2                           | 16.0                    | 12.4 | 9.6  | -    | -    | -    | 26.6                            | 2.5                           | 16.9                    | 11.9 | 8.9  | -    | -    |      |
|                        | 72      | 26.3                                 | 2.2                           | 19.9                    | 16.9 | 13.8 | 10.8 | -    | -    | 24.1                            | 2.4                           | 19.3                    | 16.2 | 13.0 | 9.9  | -    |      |
|                        | 67      | 23.8                                 | 2.2                           | 23.8                    | 21.3 | 18.0 | 14.6 | 11.3 | -    | 21.7                            | 2.4                           | 21.7                    | 20.5 | 17.1 | 13.7 | 10.3 |      |
|                        | 62      | 21.9                                 | 2.1                           | 21.9                    | 21.9 | 21.9 | 18.4 | 14.8 | 11.3 | 20.1                            | 2.4                           | 20.1                    | 20.1 | 20.1 | 16.5 | 12.8 | 9.2  |
|                        | 57      | 22.0                                 | 2.1                           | 22.0                    | 22.0 | 21.5 | 18.1 | 14.7 | 11.3 | 20.5                            | 2.4                           | 20.5                    | 20.5 | 19.9 | 16.4 | 12.9 | 9.4  |
|                        |         |                                      |                               | <b>115°F</b>            |      |      |      |      |      |                                 |                               |                         |      |      |      |      |      |
| 600                    | 77      | 17.7                                 | 2.0                           | 13.4                    | 5.9  | 5.9  | -    | -    | -    |                                 |                               |                         |      |      |      |      |      |
|                        | 72      | 15.8                                 | 1.9                           | 13.7                    | 8.9  | 8.9  | 6.5  | -    | -    |                                 |                               |                         |      |      |      |      |      |
|                        | 67      | 14.0                                 | 1.9                           | 14.0                    | 11.9 | 11.9 | 7.4  | 2.9  | -    |                                 |                               |                         |      |      |      |      |      |
|                        | 62      | 12.9                                 | 1.9                           | 12.9                    | 12.9 | 12.9 | 8.5  | 2.8  | -0.3 |                                 |                               |                         |      |      |      |      |      |
|                        | 57      | 13.5                                 | 1.9                           | 13.5                    | 13.0 | 13.0 | 10.3 | 7.5  | 4.8  |                                 |                               |                         |      |      |      |      |      |
| 800                    | 77      | 24.2                                 | 2.7                           | 17.8                    | 11.3 | 8.2  | -    | -    | -    |                                 |                               |                         |      |      |      |      |      |
|                        | 72      | 21.9                                 | 2.7                           | 18.7                    | 15.5 | 12.2 | 9.0  | -    | -    |                                 |                               |                         |      |      |      |      |      |
|                        | 67      | 19.6                                 | 2.7                           | 19.6                    | 19.6 | 16.3 | 12.8 | 9.3  | -    |                                 |                               |                         |      |      |      |      |      |
|                        | 62      | 18.3                                 | 2.6                           | 18.3                    | 18.3 | 18.3 | 14.6 | 10.8 | 7.1  |                                 |                               |                         |      |      |      |      |      |
|                        | 57      | 19.1                                 | 2.7                           | 19.1                    | 19.1 | 18.3 | 14.7 | 11.1 | 7.4  |                                 |                               |                         |      |      |      |      |      |

1. These capacities are Net Capacities.

2. These ratings include the compressor, condenser fan and supply air blower motors.

**DNY036 (3.0 Ton)**

| Air on Evaporator Coil |         | Temperature of Air on Condenser Coil |                               |                         |      |      |      |      |      |                                 |                               |                         |      |      |      |      |      |
|------------------------|---------|--------------------------------------|-------------------------------|-------------------------|------|------|------|------|------|---------------------------------|-------------------------------|-------------------------|------|------|------|------|------|
| CFM                    | WB (°F) | Net Capacity <sup>1</sup> (MBh)      | Total Input (kW) <sup>2</sup> | Sensible Capacity (MBh) |      |      |      |      |      | Net Capacity <sup>1</sup> (MBh) | Total Input (kW) <sup>2</sup> | Sensible Capacity (MBh) |      |      |      |      |      |
|                        |         |                                      |                               | Return Dry Bulb (°F)    |      |      |      |      |      |                                 |                               | Return Dry Bulb (°F)    |      |      |      |      |      |
|                        |         |                                      |                               | 90                      | 85   | 80   | 75   | 70   | 65   |                                 |                               | 90                      | 85   | 80   | 75   | 70   | 65   |
|                        |         |                                      |                               | <b>75°F</b>             |      |      |      |      |      | <b>85°F</b>                     |                               |                         |      |      |      |      |      |
| 825                    | 77      | 33.3                                 | 1.6                           | 17.1                    | 12.2 | 12.0 | -    | -    | -    | 31.5                            | 1.8                           | 16.9                    | 13.9 | 11.0 | -    | -    | -    |
|                        | 72      | 30.9                                 | 1.6                           | 22.7                    | 18.0 | 16.2 | 12.9 | -    | -    | 28.9                            | 1.8                           | 21.5                    | 18.4 | 15.2 | 12.0 | -    | -    |
|                        | 67      | 28.5                                 | 1.6                           | 28.3                    | 23.9 | 20.4 | 16.9 | 13.5 | -    | 26.3                            | 1.8                           | 26.1                    | 22.8 | 19.4 | 16.0 | 12.7 | -    |
|                        | 62      | 26.0                                 | 1.6                           | 26.0                    | 26.0 | 25.0 | 20.9 | 16.9 | 12.9 | 23.8                            | 1.9                           | 23.8                    | 23.8 | 23.2 | 19.4 | 15.6 | 11.7 |
|                        | 57      | 22.7                                 | 1.6                           | 22.7                    | 22.7 | 22.7 | 18.9 | 15.1 | 11.3 | 22.5                            | 1.8                           | 22.5                    | 22.5 | 22.5 | 18.7 | 14.9 | 11.0 |
| 1200                   | 77      | 45.8                                 | 3.0                           | 21.0                    | 18.6 | 15.2 | -    | -    | -    | 43.1                            | 3.1                           | 20.6                    | 17.2 | 13.7 | -    | -    | -    |
|                        | 72      | 41.9                                 | 2.7                           | 28.7                    | 24.8 | 20.9 | 17.0 | -    | -    | 39.6                            | 3.0                           | 28.0                    | 24.1 | 20.2 | 16.2 | -    | -    |
|                        | 67      | 38.0                                 | 2.4                           | 36.4                    | 31.0 | 26.7 | 22.4 | 18.0 | -    | 36.2                            | 2.8                           | 35.4                    | 31.0 | 26.6 | 22.2 | 17.8 | -    |
|                        | 62      | 35.4                                 | 2.5                           | 35.4                    | 35.4 | 34.2 | 29.5 | 24.7 | 20.0 | 33.3                            | 2.8                           | 33.3                    | 33.3 | 32.5 | 27.7 | 23.0 | 18.2 |
|                        | 57      | 35.2                                 | 2.5                           | 35.2                    | 35.2 | 35.2 | 30.3 | 25.3 | 20.4 | 33.6                            | 2.8                           | 33.6                    | 33.6 | 33.6 | 28.6 | 23.7 | 18.7 |
|                        |         |                                      |                               | <b>95°F</b>             |      |      |      |      |      | <b>105°F</b>                    |                               |                         |      |      |      |      |      |
| 825                    | 77      | 29.7                                 | 2.1                           | 16.7                    | 15.7 | 10.0 | -    | -    | -    | 26.6                            | 2.3                           | 17.4                    | 12.8 | 10.0 | -    | -    | -    |
|                        | 72      | 26.9                                 | 2.1                           | 20.3                    | 18.7 | 14.2 | 11.1 | -    | -    | 24.2                            | 2.4                           | 19.6                    | 15.8 | 13.6 | 10.6 | -    | -    |
|                        | 67      | 24.0                                 | 2.1                           | 24.0                    | 21.7 | 18.4 | 15.1 | 11.9 | -    | 21.7                            | 2.4                           | 21.7                    | 18.8 | 17.2 | 13.9 | 10.6 | -    |
|                        | 62      | 21.6                                 | 2.1                           | 21.6                    | 21.6 | 21.5 | 17.9 | 14.2 | 10.6 | 20.0                            | 2.4                           | 20.0                    | 20.0 | 20.0 | 16.3 | 11.3 | 9.1  |
|                        | 57      | 22.3                                 | 2.1                           | 22.3                    | 22.3 | 22.3 | 18.5 | 14.6 | 10.8 | 20.7                            | 2.3                           | 20.7                    | 20.7 | 20.7 | 17.1 | 13.4 | 9.8  |
| 1200                   | 77      | 40.4                                 | 3.3                           | 20.3                    | 15.8 | 12.3 | -    | -    | -    | 37.9                            | 3.7                           | 21.1                    | 15.3 | 11.8 | -    | -    | -    |
|                        | 72      | 37.4                                 | 3.3                           | 27.3                    | 23.4 | 19.4 | 15.4 | -    | -    | 34.7                            | 3.6                           | 26.3                    | 22.4 | 18.4 | 14.5 | -    | -    |
|                        | 67      | 34.3                                 | 3.3                           | 34.3                    | 30.9 | 26.5 | 22.0 | 17.5 | -    | 31.6                            | 3.6                           | 31.6                    | 29.5 | 25.0 | 20.5 | 16.0 | -    |
|                        | 62      | 31.2                                 | 3.1                           | 31.2                    | 31.2 | 30.8 | 26.0 | 21.2 | 16.4 | 28.8                            | 3.4                           | 28.8                    | 28.8 | 28.6 | 23.8 | 19.0 | 14.3 |
|                        | 57      | 32.0                                 | 3.1                           | 32.0                    | 32.0 | 32.0 | 27.0 | 22.1 | 17.1 | 29.8                            | 3.4                           | 29.8                    | 29.8 | 29.8 | 24.9 | 19.9 | 15.0 |
|                        |         |                                      |                               | <b>115°F</b>            |      |      |      |      |      |                                 |                               |                         |      |      |      |      |      |
| 825                    | 77      | 23.6                                 | 2.6                           | 18.1                    | 9.9  | 9.9  | -    | -    | -    |                                 |                               |                         |      |      |      |      |      |
|                        | 72      | 21.5                                 | 2.6                           | 18.8                    | 13.0 | 13.0 | 10.1 | -    | -    |                                 |                               |                         |      |      |      |      |      |
|                        | 67      | 19.4                                 | 2.6                           | 19.4                    | 16.0 | 16.0 | 12.7 | 9.3  | -    |                                 |                               |                         |      |      |      |      |      |
|                        | 62      | 18.4                                 | 2.6                           | 18.4                    | 18.4 | 18.4 | 14.8 | 8.3  | 7.6  |                                 |                               |                         |      |      |      |      |      |
|                        | 57      | 19.2                                 | 2.6                           | 19.2                    | 19.2 | 19.2 | 15.7 | 12.2 | 8.7  |                                 |                               |                         |      |      |      |      |      |
| 1200                   | 77      | 35.3                                 | 4.2                           | 21.9                    | 14.8 | 11.4 | -    | -    | -    |                                 |                               |                         |      |      |      |      |      |
|                        | 72      | 32.1                                 | 4.0                           | 25.4                    | 21.4 | 17.5 | 13.5 | -    | -    |                                 |                               |                         |      |      |      |      |      |
|                        | 67      | 28.8                                 | 3.8                           | 28.8                    | 28.1 | 23.6 | 19.1 | 14.5 | -    |                                 |                               |                         |      |      |      |      |      |
|                        | 62      | 26.4                                 | 3.8                           | 26.4                    | 26.4 | 26.4 | 21.6 | 16.9 | 12.1 |                                 |                               |                         |      |      |      |      |      |
|                        | 57      | 27.6                                 | 3.8                           | 27.6                    | 27.6 | 27.6 | 22.7 | 17.8 | 12.8 |                                 |                               |                         |      |      |      |      |      |

1. These capacities are Net Capacities.
2. These ratings include the compressor, condenser fan and supply air blower motors.

**DNY048 (4.0 Ton)**

| Air on Evaporator Coil |         | Temperature of Air on Condenser Coil |                               |                         |      |      |      |      |      |                                 |                               |                         |      |      |      |      |      |
|------------------------|---------|--------------------------------------|-------------------------------|-------------------------|------|------|------|------|------|---------------------------------|-------------------------------|-------------------------|------|------|------|------|------|
| CFM                    | WB (°F) | Net Capacity <sup>1</sup> (MBh)      | Total Input (kW) <sup>2</sup> | Sensible Capacity (MBh) |      |      |      |      |      | Net Capacity <sup>1</sup> (MBh) | Total Input (kW) <sup>2</sup> | Sensible Capacity (MBh) |      |      |      |      |      |
|                        |         |                                      |                               | Return Dry Bulb (°F)    |      |      |      |      |      |                                 |                               | Return Dry Bulb (°F)    |      |      |      |      |      |
|                        |         |                                      |                               | 90                      | 85   | 80   | 75   | 70   | 65   |                                 |                               | 90                      | 85   | 80   | 75   | 70   | 65   |
|                        |         |                                      |                               | <b>75°F</b>             |      |      |      |      |      | <b>85°F</b>                     |                               |                         |      |      |      |      |      |
| 1000                   | 77      | 45.3                                 | 2.3                           | 23.5                    | 17.6 | 15.0 | -    | -    | -    | 42.2                            | 2.5                           | 22.9                    | 18.4 | 14.0 | -    | -    | -    |
|                        | 72      | 41.6                                 | 2.3                           | 29.5                    | 24.1 | 20.4 | 15.8 | -    | -    | 38.8                            | 2.5                           | 28.5                    | 23.9 | 19.3 | 14.6 | -    | -    |
|                        | 67      | 37.9                                 | 2.3                           | 35.5                    | 30.6 | 25.7 | 20.9 | 16.0 | -    | 35.4                            | 2.5                           | 34.1                    | 29.3 | 24.5 | 19.7 | 14.8 | -    |
|                        | 62      | 36.2                                 | 2.1                           | 36.2                    | 36.2 | 30.6 | 26.1 | 21.6 | 17.2 | 32.4                            | 2.5                           | 32.4                    | 32.4 | 29.5 | 25.0 | 20.4 | 15.9 |
|                        | 57      | 33.3                                 | 2.3                           | 33.3                    | 33.3 | 31.8 | 27.4 | 22.9 | 18.4 | 31.4                            | 2.5                           | 31.4                    | 31.4 | 30.4 | 25.9 | 21.3 | 16.8 |
| 1550                   | 77      | 66.5                                 | 3.7                           | 31.4                    | 27.2 | 21.4 | -    | -    | -    | 61.9                            | 4.0                           | 32.0                    | 26.0 | 20.1 | -    | -    | -    |
|                        | 72      | 59.9                                 | 3.7                           | 42.4                    | 36.0 | 29.7 | 23.4 | -    | -    | 56.3                            | 4.0                           | 41.3                    | 34.9 | 28.5 | 22.1 | -    | -    |
|                        | 67      | 53.3                                 | 3.6                           | 53.3                    | 44.9 | 38.0 | 31.1 | 24.3 | -    | 50.7                            | 3.9                           | 50.7                    | 43.9 | 37.0 | 30.1 | 23.2 | -    |
|                        | 62      | 49.4                                 | 3.5                           | 49.4                    | 49.4 | 47.4 | 40.1 | 32.8 | 25.6 | 47.1                            | 3.7                           | 47.1                    | 47.1 | 45.6 | 38.4 | 31.2 | 24.0 |
|                        | 57      | 52.2                                 | 3.4                           | 52.2                    | 52.2 | 48.1 | 41.2 | 34.2 | 27.2 | 49.3                            | 3.7                           | 49.3                    | 49.3 | 45.9 | 38.8 | 31.7 | 24.6 |
|                        |         |                                      |                               | <b>95°F</b>             |      |      |      |      |      | <b>105°F</b>                    |                               |                         |      |      |      |      |      |
| 1000                   | 77      | 39.1                                 | 2.8                           | 22.3                    | 19.3 | 13.1 | -    | -    | -    | 36.6                            | 3.1                           | 23.8                    | 15.4 | 12.3 | -    | -    | -    |
|                        | 72      | 36.1                                 | 2.8                           | 27.6                    | 23.7 | 18.2 | 13.4 | -    | -    | 33.3                            | 3.1                           | 26.9                    | 20.1 | 17.3 | 12.6 | -    | -    |
|                        | 67      | 33.0                                 | 2.8                           | 32.8                    | 28.0 | 23.2 | 18.4 | 13.7 | -    | 30.0                            | 3.1                           | 30.0                    | 24.7 | 22.3 | 17.6 | 12.9 | -    |
|                        | 62      | 28.5                                 | 3.0                           | 28.5                    | 28.5 | 28.5 | 23.9 | 19.3 | 14.7 | 25.9                            | 3.3                           | 25.9                    | 25.9 | 25.9 | 21.1 | 16.2 | 11.5 |
|                        | 57      | 29.6                                 | 2.8                           | 29.6                    | 29.6 | 29.0 | 24.4 | 19.8 | 15.1 | 27.0                            | 3.1                           | 27.0                    | 27.0 | 26.7 | 21.8 | 16.9 | 11.9 |
| 1550                   | 77      | 57.3                                 | 4.3                           | 32.7                    | 24.7 | 18.7 | -    | -    | -    | 54.5                            | 4.7                           | 33.9                    | 23.6 | 17.5 | -    | -    | -    |
|                        | 72      | 52.6                                 | 4.2                           | 40.3                    | 33.8 | 27.3 | 20.8 | -    | -    | 49.4                            | 4.6                           | 39.1                    | 32.6 | 26.0 | 19.4 | -    | -    |
|                        | 67      | 48.0                                 | 4.2                           | 48.0                    | 43.0 | 36.0 | 29.0 | 22.1 | -    | 44.4                            | 4.5                           | 44.4                    | 41.5 | 34.5 | 27.4 | 20.3 | -    |
|                        | 62      | 44.8                                 | 4.0                           | 44.8                    | 44.8 | 43.8 | 36.7 | 29.6 | 22.4 | 41.7                            | 4.3                           | 41.7                    | 41.7 | 41.1 | 33.9 | 26.7 | 19.5 |
|                        | 57      | 46.3                                 | 4.0                           | 46.3                    | 46.3 | 43.6 | 36.4 | 29.2 | 22.1 | 43.4                            | 4.3                           | 43.4                    | 43.4 | 40.9 | 33.7 | 26.5 | 19.3 |
|                        |         |                                      |                               | <b>115°F</b>            |      |      |      |      |      |                                 |                               |                         |      |      |      |      |      |
| 1000                   | 77      | 34.1                                 | 3.4                           | 25.3                    | 11.6 | 11.6 | -    | -    | -    |                                 |                               |                         |      |      |      |      |      |
|                        | 72      | 30.6                                 | 3.4                           | 26.2                    | 16.5 | 16.5 | 11.7 | -    | -    |                                 |                               |                         |      |      |      |      |      |
|                        | 67      | 27.1                                 | 3.5                           | 27.1                    | 21.4 | 21.4 | 16.8 | 12.2 | -    |                                 |                               |                         |      |      |      |      |      |
|                        | 62      | 23.3                                 | 3.6                           | 23.3                    | 23.3 | 23.3 | 18.3 | 13.2 | 8.3  |                                 |                               |                         |      |      |      |      |      |
|                        | 57      | 24.4                                 | 3.4                           | 24.4                    | 24.3 | 24.3 | 19.2 | 14.0 | 8.8  |                                 |                               |                         |      |      |      |      |      |
| 1550                   | 77      | 51.6                                 | 5.0                           | 35.2                    | 22.5 | 16.4 | -    | -    | -    |                                 |                               |                         |      |      |      |      |      |
|                        | 72      | 46.2                                 | 4.9                           | 38.0                    | 31.3 | 24.7 | 18.0 | -    | -    |                                 |                               |                         |      |      |      |      |      |
|                        | 67      | 40.7                                 | 4.9                           | 40.7                    | 40.1 | 32.9 | 25.7 | 18.6 | -    |                                 |                               |                         |      |      |      |      |      |
|                        | 62      | 38.5                                 | 4.7                           | 38.5                    | 38.5 | 38.5 | 31.2 | 23.9 | 16.6 |                                 |                               |                         |      |      |      |      |      |
|                        | 57      | 40.5                                 | 4.7                           | 40.5                    | 40.5 | 38.3 | 31.1 | 23.8 | 16.6 |                                 |                               |                         |      |      |      |      |      |

1. These capacities are Net Capacities.
2. These ratings include the compressor, condenser fan and supply air blower motors.

**DNY060 (5.0 Ton)**

| Air on Evaporator Coil |         | Temperature of Air on Condenser Coil |                               |                         |      |      |      |      |      |                                 |                               |                         |      |      |      |      |      |
|------------------------|---------|--------------------------------------|-------------------------------|-------------------------|------|------|------|------|------|---------------------------------|-------------------------------|-------------------------|------|------|------|------|------|
| CFM                    | WB (°F) | Net Capacity <sup>1</sup> (MBh)      | Total Input (kW) <sup>2</sup> | Sensible Capacity (MBh) |      |      |      |      |      | Net Capacity <sup>1</sup> (MBh) | Total Input (kW) <sup>2</sup> | Sensible Capacity (MBh) |      |      |      |      |      |
|                        |         |                                      |                               | Return Dry Bulb (°F)    |      |      |      |      |      |                                 |                               | Return Dry Bulb (°F)    |      |      |      |      |      |
|                        |         |                                      |                               | 90                      | 85   | 80   | 75   | 70   | 65   |                                 |                               | 90                      | 85   | 80   | 75   | 70   | 65   |
|                        |         |                                      |                               | <b>75°F</b>             |      |      |      |      |      | <b>85°F</b>                     |                               |                         |      |      |      |      |      |
| 1200                   | 77      | 55.3                                 | 3.0                           | 28.3                    | 20.4 | 19.2 | -    | -    | -    | 52.6                            | 3.4                           | 26.4                    | 21.9 | 17.4 | -    | -    | -    |
|                        | 72      | 51.4                                 | 2.9                           | 35.1                    | 28.6 | 25.5 | 20.7 | -    | -    | 48.4                            | 3.3                           | 33.7                    | 28.9 | 24.1 | 19.2 | -    | -    |
|                        | 67      | 47.4                                 | 2.9                           | 41.9                    | 36.8 | 31.7 | 26.7 | 21.6 | -    | 44.2                            | 3.3                           | 41.1                    | 35.9 | 30.7 | 25.5 | 20.3 | -    |
|                        | 62      | 42.3                                 | 2.9                           | 42.3                    | 42.3 | 38.9 | 34.7 | 30.6 | 26.4 | 39.9                            | 3.3                           | 39.9                    | 39.9 | 37.0 | 32.9 | 28.8 | 24.7 |
|                        | 57      | 39.8                                 | 2.8                           | 39.8                    | 39.8 | 39.8 | 35.6 | 31.4 | 27.2 | 37.3                            | 3.2                           | 37.3                    | 37.3 | 37.3 | 33.1 | 29.0 | 24.8 |
| 1650                   | 77      | 75.7                                 | 5.2                           | 34.7                    | 29.2 | 23.6 | -    | -    | -    | 71.1                            | 5.6                           | 33.4                    | 27.7 | 22.0 | -    | -    | -    |
|                        | 72      | 69.7                                 | 5.0                           | 45.3                    | 39.1 | 33.0 | 26.9 | -    | -    | 65.6                            | 5.4                           | 44.0                    | 37.7 | 31.5 | 25.2 | -    | -    |
|                        | 67      | 63.6                                 | 4.9                           | 55.8                    | 49.1 | 42.4 | 35.7 | 29.1 | -    | 60.1                            | 5.3                           | 54.5                    | 47.7 | 41.0 | 34.2 | 27.5 | -    |
|                        | 62      | 55.2                                 | 4.7                           | 55.2                    | 55.2 | 52.1 | 44.9 | 37.8 | 30.6 | 53.4                            | 5.2                           | 53.4                    | 53.4 | 50.8 | 43.5 | 36.2 | 28.8 |
|                        | 57      | 53.6                                 | 4.5                           | 53.6                    | 53.6 | 53.5 | 46.3 | 39.1 | 32.0 | 50.6                            | 5.0                           | 50.6                    | 50.6 | 50.5 | 43.2 | 35.9 | 28.7 |
|                        |         |                                      |                               | <b>95°F</b>             |      |      |      |      |      | <b>105°F</b>                    |                               |                         |      |      |      |      |      |
| 1200                   | 77      | 49.8                                 | 3.8                           | 24.5                    | 23.4 | 15.6 | -    | -    | -    | 45.9                            | 4.2                           | 24.5                    | 18.3 | 14.4 | -    | -    | -    |
|                        | 72      | 45.4                                 | 3.8                           | 32.4                    | 29.2 | 22.6 | 17.8 | -    | -    | 41.9                            | 4.2                           | 31.0                    | 24.6 | 21.3 | 16.5 | -    | -    |
|                        | 67      | 41.0                                 | 3.8                           | 40.3                    | 34.9 | 29.6 | 24.3 | 19.0 | -    | 37.9                            | 4.2                           | 37.5                    | 30.9 | 28.3 | 23.6 | 18.9 | -    |
|                        | 62      | 37.5                                 | 3.7                           | 37.5                    | 37.5 | 35.1 | 31.1 | 27.0 | 22.9 | 34.7                            | 4.1                           | 34.7                    | 34.6 | 33.4 | 29.2 | 24.3 | 20.8 |
|                        | 57      | 34.8                                 | 3.6                           | 34.8                    | 34.8 | 34.8 | 30.7 | 26.5 | 22.3 | 32.3                            | 4.1                           | 32.3                    | 32.3 | 32.3 | 27.5 | 22.6 | 17.8 |
| 1650                   | 77      | 66.4                                 | 6.0                           | 32.1                    | 26.2 | 20.3 | -    | -    | -    | 61.5                            | 6.5                           | 31.2                    | 24.6 | 18.8 | -    | -    | -    |
|                        | 72      | 61.5                                 | 5.9                           | 42.7                    | 36.3 | 29.9 | 23.6 | -    | -    | 57.0                            | 6.4                           | 41.0                    | 34.7 | 28.4 | 22.0 | -    | -    |
|                        | 67      | 56.5                                 | 5.8                           | 53.2                    | 46.4 | 39.6 | 32.7 | 25.9 | -    | 52.5                            | 6.3                           | 50.8                    | 44.7 | 37.9 | 31.0 | 24.2 | -    |
|                        | 62      | 51.6                                 | 5.6                           | 51.6                    | 51.6 | 49.5 | 42.0 | 34.6 | 27.1 | 48.0                            | 6.1                           | 48.0                    | 48.0 | 46.9 | 39.4 | 31.9 | 24.4 |
|                        | 57      | 47.6                                 | 5.5                           | 47.6                    | 47.6 | 47.5 | 40.1 | 32.7 | 25.4 | 43.9                            | 6.0                           | 43.9                    | 43.9 | 43.8 | 36.3 | 28.9 | 21.4 |
|                        |         |                                      |                               | <b>115°F</b>            |      |      |      |      |      |                                 |                               |                         |      |      |      |      |      |
| 1200                   | 77      | 41.9                                 | 4.7                           | 24.5                    | 13.2 | 13.2 | -    | -    | -    |                                 |                               |                         |      |      |      |      |      |
|                        | 72      | 38.3                                 | 4.7                           | 29.6                    | 20.0 | 20.0 | 15.2 | -    | -    |                                 |                               |                         |      |      |      |      |      |
|                        | 67      | 34.7                                 | 4.7                           | 34.7                    | 26.9 | 26.9 | 22.8 | 18.7 | -    |                                 |                               |                         |      |      |      |      |      |
|                        | 62      | 31.8                                 | 4.6                           | 31.8                    | 31.6 | 31.6 | 27.3 | 21.6 | 18.6 |                                 |                               |                         |      |      |      |      |      |
|                        | 57      | 29.8                                 | 4.6                           | 29.8                    | 29.8 | 29.9 | 24.3 | 18.7 | 13.2 |                                 |                               |                         |      |      |      |      |      |
| 1650                   | 77      | 56.6                                 | 7.1                           | 30.3                    | 23.1 | 17.3 | -    | -    | -    |                                 |                               |                         |      |      |      |      |      |
|                        | 72      | 52.6                                 | 7.0                           | 39.4                    | 33.1 | 26.8 | 20.5 | -    | -    |                                 |                               |                         |      |      |      |      |      |
|                        | 67      | 48.5                                 | 6.9                           | 48.5                    | 43.0 | 36.2 | 29.3 | 22.5 | -    |                                 |                               |                         |      |      |      |      |      |
|                        | 62      | 44.4                                 | 6.6                           | 44.4                    | 44.4 | 44.2 | 36.7 | 29.3 | 21.8 |                                 |                               |                         |      |      |      |      |      |
|                        | 57      | 40.2                                 | 6.6                           | 40.2                    | 40.2 | 40.1 | 32.6 | 25.0 | 17.5 |                                 |                               |                         |      |      |      |      |      |

1. These capacities are Net Capacities.
2. These ratings include the compressor, condenser fan and supply air blower motors.

## DNX024-048 Cooling Capacities

### DNX024 (2.0 Ton)

| Air on Evaporator Coil |         | Temperature of Air on Condenser Coil |                               |                         |      |      |      |      |      |                                 |                               |                         |      |      |      |      |      |
|------------------------|---------|--------------------------------------|-------------------------------|-------------------------|------|------|------|------|------|---------------------------------|-------------------------------|-------------------------|------|------|------|------|------|
| CFM                    | WB (°F) | Net Capacity <sup>1</sup> (MBh)      | Total Input (kW) <sup>2</sup> | Sensible Capacity (MBh) |      |      |      |      |      | Net Capacity <sup>1</sup> (MBh) | Total Input (kW) <sup>2</sup> | Sensible Capacity (MBh) |      |      |      |      |      |
|                        |         |                                      |                               | Return Dry Bulb (°F)    |      |      |      |      |      |                                 |                               | Return Dry Bulb (°F)    |      |      |      |      |      |
|                        |         |                                      |                               | 90                      | 85   | 80   | 75   | 70   | 65   |                                 |                               | 90                      | 85   | 80   | 75   | 70   | 65   |
|                        |         |                                      |                               | <b>75°F</b>             |      |      |      |      |      | <b>85°F</b>                     |                               |                         |      |      |      |      |      |
| 600                    | 77      | 24.9                                 | 1.2                           | 11.4                    | 8.7  | 9.0  | -    | -    | -    | 23.6                            | 1.3                           | 11.9                    | 10.1 | 8.3  | -    | -    |      |
|                        | 72      | 22.8                                 | 1.1                           | 16.1                    | 13.0 | 11.8 | 9.7  | -    | -    | 21.4                            | 1.3                           | 15.6                    | 13.4 | 11.2 | 9.0  | -    |      |
|                        | 67      | 20.8                                 | 1.1                           | 20.8                    | 17.3 | 14.7 | 12.1 | 9.5  | -    | 19.2                            | 1.3                           | 19.2                    | 16.7 | 14.0 | 11.4 | 8.7  |      |
|                        | 62      | 18.3                                 | 1.1                           | 18.3                    | 18.3 | 17.7 | 13.7 | 9.8  | 5.8  | 17.2                            | 1.3                           | 17.2                    | 17.2 | 16.9 | 12.8 | 8.8  | 4.7  |
|                        | 57      | 19.5                                 | 1.0                           | 19.5                    | 19.5 | 19.4 | 15.1 | 10.9 | 6.6  | 17.8                            | 1.2                           | 17.8                    | 17.8 | 17.7 | 13.5 | 9.3  | 5.1  |
| 800                    | 77      | 32.1                                 | 1.8                           | 15.1                    | 13.3 | 10.8 | -    | -    | -    | 30.6                            | 2.0                           | 15.6                    | 12.9 | 10.3 | -    | -    |      |
|                        | 72      | 29.8                                 | 1.8                           | 21.1                    | 18.2 | 15.3 | 12.4 | -    | -    | 28.2                            | 1.9                           | 20.6                    | 17.6 | 14.6 | 11.6 | -    |      |
|                        | 67      | 27.4                                 | 1.7                           | 27.1                    | 23.0 | 19.7 | 16.5 | 13.2 | -    | 25.7                            | 1.9                           | 25.5                    | 22.2 | 18.9 | 15.7 | 12.4 |      |
|                        | 62      | 25.0                                 | 1.7                           | 25.0                    | 25.0 | 24.2 | 20.8 | 17.4 | 14.0 | 23.6                            | 1.8                           | 23.6                    | 23.6 | 23.1 | 19.7 | 16.2 | 12.8 |
|                        | 57      | 25.6                                 | 1.7                           | 25.6                    | 25.6 | 25.6 | 21.9 | 18.1 | 14.3 | 23.9                            | 1.9                           | 23.9                    | 23.9 | 23.7 | 20.1 | 16.5 | 12.9 |
|                        |         |                                      |                               | <b>95°F</b>             |      |      |      |      |      | <b>105°F</b>                    |                               |                         |      |      |      |      |      |
| 600                    | 77      | 22.3                                 | 1.5                           | 12.5                    | 11.4 | 7.6  | -    | -    | -    | 20.1                            | 1.7                           | 13.0                    | 8.7  | 6.8  | -    | -    |      |
|                        | 72      | 19.9                                 | 1.5                           | 15.1                    | 13.7 | 10.5 | 8.2  | -    | -    | 18.0                            | 1.7                           | 14.5                    | 11.4 | 9.8  | 7.4  | -    |      |
|                        | 67      | 17.6                                 | 1.4                           | 17.6                    | 16.0 | 13.4 | 10.7 | 8.0  | -    | 15.9                            | 1.6                           | 15.9                    | 14.1 | 12.7 | 9.1  | 5.6  |      |
|                        | 62      | 16.1                                 | 1.4                           | 16.1                    | 16.1 | 16.1 | 11.9 | 7.7  | 3.6  | 14.6                            | 1.6                           | 14.6                    | 14.6 | 15.1 | 10.8 | 5.9  | 2.3  |
|                        | 57      | 16.1                                 | 1.4                           | 16.1                    | 16.1 | 15.9 | 11.8 | 7.7  | 3.6  | 14.9                            | 1.6                           | 14.9                    | 14.7 | 14.6 | 11.2 | 7.8  | 4.3  |
| 800                    | 77      | 29.2                                 | 2.1                           | 16.1                    | 12.5 | 9.8  | -    | -    | -    | 26.9                            | 2.4                           | 17.0                    | 11.9 | 9.0  | -    | -    |      |
|                        | 72      | 26.6                                 | 2.1                           | 20.1                    | 17.0 | 14.0 | 10.9 | -    | -    | 24.4                            | 2.3                           | 19.4                    | 16.3 | 13.2 | 10.0 | -    |      |
|                        | 67      | 24.0                                 | 2.1                           | 24.0                    | 21.5 | 18.2 | 14.8 | 11.5 | -    | 21.9                            | 2.3                           | 21.9                    | 20.7 | 17.3 | 13.9 | 10.5 |      |
|                        | 62      | 22.2                                 | 2.0                           | 22.2                    | 22.2 | 22.1 | 18.6 | 15.1 | 11.5 | 20.3                            | 2.3                           | 20.3                    | 20.3 | 21.0 | 17.4 | 13.8 | 10.1 |
|                        | 57      | 22.2                                 | 2.0                           | 22.2                    | 22.2 | 21.7 | 18.3 | 14.9 | 11.5 | 20.7                            | 2.3                           | 20.7                    | 20.7 | 20.1 | 16.6 | 13.1 | 9.6  |
|                        |         |                                      |                               | <b>115°F</b>            |      |      |      |      |      |                                 |                               |                         |      |      |      |      |      |
| 600                    | 77      | 18.0                                 | 1.9                           | 13.5                    | 6.0  | 6.0  | -    | -    | -    |                                 |                               |                         |      |      |      |      |      |
|                        | 72      | 16.1                                 | 1.9                           | 13.9                    | 9.0  | 9.0  | 6.6  | -    | -    |                                 |                               |                         |      |      |      |      |      |
|                        | 67      | 14.3                                 | 1.8                           | 14.3                    | 12.1 | 12.1 | 7.6  | 3.1  | -    |                                 |                               |                         |      |      |      |      |      |
|                        | 62      | 13.1                                 | 1.8                           | 13.1                    | 13.1 | 14.1 | 9.7  | 4.1  | 1.0  |                                 |                               |                         |      |      |      |      |      |
|                        | 57      | 13.8                                 | 1.8                           | 13.8                    | 13.3 | 13.3 | 10.5 | 7.8  | 5.1  |                                 |                               |                         |      |      |      |      |      |
| 800                    | 77      | 24.5                                 | 2.6                           | 17.8                    | 11.4 | 8.3  | -    | -    | -    |                                 |                               |                         |      |      |      |      |      |
|                        | 72      | 22.2                                 | 2.6                           | 18.8                    | 15.6 | 12.4 | 9.1  | -    | -    |                                 |                               |                         |      |      |      |      |      |
|                        | 67      | 19.8                                 | 2.5                           | 19.8                    | 19.8 | 16.5 | 13.0 | 9.4  | -    |                                 |                               |                         |      |      |      |      |      |
|                        | 62      | 18.5                                 | 2.5                           | 18.5                    | 18.5 | 19.9 | 16.2 | 12.5 | 8.7  |                                 |                               |                         |      |      |      |      |      |
|                        | 57      | 19.2                                 | 2.5                           | 19.2                    | 19.2 | 18.5 | 14.9 | 11.3 | 7.6  |                                 |                               |                         |      |      |      |      |      |

1. These capacities are Net Capacities.

2. These ratings include the compressor, condenser fan and supply air blower motors.

**DNX036 (3.0 Ton)**

| Air on Evaporator Coil |         | Temperature of Air on Condenser Coil |                               |                         |      |      |      |      |      |                                 |                               |                         |      |      |      |      |      |
|------------------------|---------|--------------------------------------|-------------------------------|-------------------------|------|------|------|------|------|---------------------------------|-------------------------------|-------------------------|------|------|------|------|------|
| CFM                    | WB (°F) | Net Capacity <sup>1</sup> (MBh)      | Total Input (kW) <sup>2</sup> | Sensible Capacity (MBh) |      |      |      |      |      | Net Capacity <sup>1</sup> (MBh) | Total Input (kW) <sup>2</sup> | Sensible Capacity (MBh) |      |      |      |      |      |
|                        |         |                                      |                               | Return Dry Bulb (°F)    |      |      |      |      |      |                                 |                               | Return Dry Bulb (°F)    |      |      |      |      |      |
|                        |         |                                      |                               | 90                      | 85   | 80   | 75   | 70   | 65   |                                 |                               | 90                      | 85   | 80   | 75   | 70   | 65   |
|                        |         |                                      |                               | <b>75°F</b>             |      |      |      |      |      | <b>85°F</b>                     |                               |                         |      |      |      |      |      |
| 925                    | 77      | 35.2                                 | 1.5                           | 20.9                    | 13.3 | 11.6 | -    | -    | -    | 33.3                            | 1.7                           | 21.2                    | 15.1 | 11.3 | -    | -    | -    |
|                        | 72      | 32.3                                 | 1.5                           | 25.2                    | 20.0 | 17.0 | 12.9 | -    | -    | 30.4                            | 1.7                           | 24.4                    | 20.3 | 16.3 | 12.3 | -    | -    |
|                        | 67      | 29.5                                 | 1.5                           | 29.5                    | 26.8 | 22.4 | 18.1 | 13.8 | -    | 27.5                            | 1.7                           | 27.5                    | 25.5 | 21.4 | 17.2 | 13.0 | -    |
|                        | 62      | 26.8                                 | 1.5                           | 26.8                    | 26.8 | 27.2 | 22.5 | 17.8 | 13.2 | 25.1                            | 1.7                           | 25.1                    | 25.1 | 25.1 | 20.8 | 16.5 | 12.2 |
|                        | 57      | 28.2                                 | 1.6                           | 28.2                    | 28.2 | 25.4 | 21.2 | 17.0 | 12.8 | 25.9                            | 1.8                           | 25.9                    | 25.9 | 24.2 | 20.0 | 15.9 | 11.7 |
| 1275                   | 77      | 48.7                                 | 2.8                           | 23.8                    | 19.3 | 14.7 | -    | -    | -    | 46.5                            | 3.0                           | 25.5                    | 19.4 | 14.7 | -    | -    | -    |
|                        | 72      | 45.7                                 | 2.6                           | 33.3                    | 28.3 | 23.2 | 18.2 | -    | -    | 43.2                            | 2.9                           | 32.7                    | 27.6 | 22.5 | 17.3 | -    | -    |
|                        | 67      | 42.8                                 | 2.5                           | 42.8                    | 37.2 | 31.7 | 26.1 | 20.6 | -    | 39.9                            | 2.8                           | 39.9                    | 35.8 | 30.2 | 24.6 | 19.0 | -    |
|                        | 62      | 38.0                                 | 2.3                           | 38.0                    | 38.0 | 34.6 | 29.8 | 24.9 | 20.0 | 36.7                            | 2.6                           | 36.7                    | 36.7 | 34.0 | 28.7 | 23.5 | 18.3 |
|                        | 57      | 38.4                                 | 2.5                           | 38.4                    | 38.4 | 35.9 | 30.3 | 24.7 | 19.1 | 36.7                            | 2.8                           | 36.7                    | 36.7 | 34.4 | 28.8 | 23.1 | 17.5 |
|                        |         |                                      |                               | <b>95°F</b>             |      |      |      |      |      | <b>105°F</b>                    |                               |                         |      |      |      |      |      |
| 925                    | 77      | 31.5                                 | 1.9                           | 21.5                    | 17.0 | 11.0 | -    | -    | -    | 29.0                            | 2.2                           | 21.9                    | 13.1 | 10.1 | -    | -    | -    |
|                        | 72      | 28.5                                 | 1.9                           | 23.6                    | 20.7 | 15.6 | 11.7 | -    | -    | 26.2                            | 2.2                           | 22.7                    | 17.3 | 14.8 | 10.9 | -    | -    |
|                        | 67      | 25.6                                 | 1.9                           | 25.6                    | 24.3 | 20.3 | 16.2 | 12.2 | -    | 23.4                            | 2.2                           | 23.4                    | 21.5 | 19.5 | 15.4 | 11.3 | -    |
|                        | 62      | 23.4                                 | 1.9                           | 23.4                    | 23.4 | 23.0 | 19.1 | 15.1 | 11.2 | 21.5                            | 2.2                           | 21.5                    | 21.5 | 21.3 | 17.3 | 12.3 | 9.4  |
|                        | 57      | 23.6                                 | 1.9                           | 23.6                    | 23.6 | 22.9 | 18.8 | 14.8 | 10.7 | 22.3                            | 2.2                           | 22.3                    | 21.6 | 21.3 | 17.2 | 13.2 | 9.2  |
| 1275                   | 77      | 44.4                                 | 3.2                           | 27.2                    | 19.4 | 14.7 | -    | -    | -    | 41.3                            | 3.5                           | 27.9                    | 18.8 | 13.7 | -    | -    | -    |
|                        | 72      | 40.7                                 | 3.1                           | 32.1                    | 26.9 | 21.7 | 16.5 | -    | -    | 37.8                            | 3.4                           | 31.1                    | 25.9 | 20.7 | 15.4 | -    | -    |
|                        | 67      | 37.0                                 | 3.1                           | 37.0                    | 34.3 | 28.7 | 23.1 | 17.4 | -    | 34.3                            | 3.4                           | 34.3                    | 33.0 | 27.6 | 22.0 | 16.3 | -    |
|                        | 62      | 35.4                                 | 2.9                           | 35.4                    | 35.4 | 33.3 | 27.7 | 22.1 | 16.5 | 32.4                            | 3.3                           | 32.4                    | 32.4 | 31.4 | 25.6 | 19.8 | 14.1 |
|                        | 57      | 35.0                                 | 3.0                           | 35.0                    | 35.0 | 32.9 | 27.2 | 21.6 | 15.9 | 33.0                            | 3.3                           | 33.0                    | 33.0 | 31.1 | 25.4 | 19.6 | 13.9 |
|                        |         |                                      |                               | <b>115°F</b>            |      |      |      |      |      |                                 |                               |                         |      |      |      |      |      |
| 925                    | 77      | 26.5                                 | 2.4                           | 22.3                    | 9.2  | 9.2  | -    | -    | -    |                                 |                               |                         |      |      |      |      |      |
|                        | 72      | 23.9                                 | 2.4                           | 21.8                    | 14.0 | 14.0 | 10.1 | -    | -    |                                 |                               |                         |      |      |      |      |      |
|                        | 67      | 21.3                                 | 2.4                           | 21.3                    | 18.7 | 18.7 | 14.6 | 10.4 | -    |                                 |                               |                         |      |      |      |      |      |
|                        | 62      | 19.6                                 | 2.4                           | 19.6                    | 19.6 | 19.6 | 15.6 | 9.6  | 7.7  |                                 |                               |                         |      |      |      |      |      |
|                        | 57      | 21.0                                 | 2.4                           | 21.0                    | 19.7 | 19.7 | 15.7 | 11.7 | 7.6  |                                 |                               |                         |      |      |      |      |      |
| 1275                   | 77      | 38.3                                 | 3.8                           | 28.6                    | 18.1 | 12.8 | -    | -    | -    |                                 |                               |                         |      |      |      |      |      |
|                        | 72      | 35.0                                 | 3.8                           | 30.2                    | 24.9 | 19.6 | 14.4 | -    | -    |                                 |                               |                         |      |      |      |      |      |
|                        | 67      | 31.7                                 | 3.7                           | 31.7                    | 31.7 | 26.5 | 20.8 | 15.2 | -    |                                 |                               |                         |      |      |      |      |      |
|                        | 62      | 29.5                                 | 3.6                           | 29.5                    | 29.5 | 29.5 | 23.5 | 17.6 | 11.6 |                                 |                               |                         |      |      |      |      |      |
|                        | 57      | 30.9                                 | 3.6                           | 30.9                    | 30.9 | 29.4 | 23.5 | 17.7 | 11.8 |                                 |                               |                         |      |      |      |      |      |

1. These capacities are Net Capacities.
2. These ratings include the compressor, condenser fan and supply air blower motors.

**DNX048 (4.0 Ton)**

| Air on Evaporator Coil |         | Temperature of Air on Condenser Coil |                               |                         |      |      |      |      |      |                                 |                               |                         |      |      |      |      |      |
|------------------------|---------|--------------------------------------|-------------------------------|-------------------------|------|------|------|------|------|---------------------------------|-------------------------------|-------------------------|------|------|------|------|------|
| CFM                    | WB (°F) | Net Capacity <sup>1</sup> (MBh)      | Total Input (kW) <sup>2</sup> | Sensible Capacity (MBh) |      |      |      |      |      | Net Capacity <sup>1</sup> (MBh) | Total Input (kW) <sup>2</sup> | Sensible Capacity (MBh) |      |      |      |      |      |
|                        |         |                                      |                               | Return Dry Bulb (°F)    |      |      |      |      |      |                                 |                               | Return Dry Bulb (°F)    |      |      |      |      |      |
|                        |         |                                      |                               | 90                      | 85   | 80   | 75   | 70   | 65   |                                 |                               | 90                      | 85   | 80   | 75   | 70   | 65   |
|                        |         |                                      |                               | <b>75°F</b>             |      |      |      |      |      | <b>85°F</b>                     |                               |                         |      |      |      |      |      |
| 1000                   | 77      | 45.3                                 | 2.2                           | 23.2                    | 17.3 | 14.8 | -    | -    | -    | 42.8                            | 2.5                           | 22.7                    | 18.4 | 14.2 | -    | -    | -    |
|                        | 72      | 42.0                                 | 2.2                           | 29.7                    | 24.2 | 20.6 | 16.0 | -    | -    | 39.6                            | 2.5                           | 28.9                    | 24.3 | 19.8 | 15.2 | -    | -    |
|                        | 67      | 38.8                                 | 2.2                           | 36.3                    | 31.1 | 26.3 | 21.5 | 16.7 | -    | 36.4                            | 2.5                           | 35.1                    | 30.2 | 25.3 | 20.5 | 15.6 | -    |
|                        | 62      | 34.4                                 | 2.2                           | 34.4                    | 34.4 | 31.7 | 27.3 | 22.8 | 18.4 | 32.4                            | 2.5                           | 32.4                    | 32.4 | 30.7 | 26.2 | 21.7 | 17.2 |
|                        | 57      | 33.6                                 | 2.2                           | 33.6                    | 33.6 | 33.0 | 28.4 | 23.8 | 19.2 | 31.7                            | 2.4                           | 31.7                    | 31.7 | 31.2 | 26.6 | 21.9 | 17.3 |
| 1550                   | 77      | 64.7                                 | 3.9                           | 31.1                    | 26.6 | 20.8 | -    | -    | -    | 60.7                            | 4.2                           | 31.0                    | 25.2 | 19.4 | -    | -    | -    |
|                        | 72      | 59.6                                 | 3.8                           | 42.0                    | 35.7 | 29.4 | 23.2 | -    | -    | 56.0                            | 4.1                           | 40.7                    | 34.4 | 28.1 | 21.7 | -    | -    |
|                        | 67      | 54.5                                 | 3.7                           | 52.9                    | 44.9 | 38.1 | 31.2 | 24.4 | -    | 51.2                            | 4.0                           | 50.4                    | 43.6 | 36.8 | 29.9 | 23.1 | -    |
|                        | 62      | 50.3                                 | 3.5                           | 50.3                    | 50.3 | 46.3 | 39.4 | 32.4 | 25.5 | 47.6                            | 3.8                           | 47.6                    | 47.6 | 44.4 | 37.5 | 30.5 | 23.6 |
|                        | 57      | 48.8                                 | 3.5                           | 48.8                    | 48.8 | 48.3 | 41.5 | 34.7 | 27.9 | 46.5                            | 3.7                           | 46.5                    | 46.5 | 46.3 | 39.3 | 32.3 | 25.4 |
|                        |         |                                      |                               | <b>95°F</b>             |      |      |      |      |      | <b>105°F</b>                    |                               |                         |      |      |      |      |      |
| 1000                   | 77      | 40.4                                 | 2.8                           | 22.2                    | 19.6 | 13.5 | -    | -    | -    | 37.5                            | 3.1                           | 23.2                    | 15.4 | 12.4 | -    | -    | -    |
|                        | 72      | 37.2                                 | 2.8                           | 28.1                    | 24.4 | 18.9 | 14.4 | -    | -    | 34.3                            | 3.1                           | 27.2                    | 20.6 | 17.9 | 13.2 | -    | -    |
|                        | 67      | 34.0                                 | 2.8                           | 34.0                    | 29.3 | 24.4 | 19.4 | 14.4 | -    | 31.1                            | 3.1                           | 31.1                    | 25.8 | 23.3 | 18.6 | 13.8 | -    |
|                        | 62      | 30.5                                 | 2.7                           | 30.5                    | 30.5 | 29.6 | 25.0 | 20.5 | 15.9 | 28.0                            | 3.1                           | 28.0                    | 28.0 | 27.7 | 23.1 | 18.1 | 13.8 |
|                        | 57      | 29.8                                 | 2.7                           | 29.8                    | 29.8 | 29.4 | 24.7 | 20.0 | 15.4 | 28.0                            | 3.0                           | 28.0                    | 27.9 | 27.7 | 22.8 | 17.9 | 13.0 |
| 1550                   | 77      | 56.8                                 | 4.5                           | 30.9                    | 23.8 | 17.9 | -    | -    | -    | 52.1                            | 4.9                           | 32.0                    | 22.7 | 16.7 | -    | -    | -    |
|                        | 72      | 52.4                                 | 4.4                           | 39.4                    | 33.1 | 26.7 | 20.3 | -    | -    | 48.4                            | 4.7                           | 38.4                    | 31.9 | 25.5 | 19.0 | -    | -    |
|                        | 67      | 48.0                                 | 4.3                           | 48.0                    | 42.3 | 35.5 | 28.6 | 21.8 | -    | 44.8                            | 4.6                           | 44.8                    | 41.2 | 34.2 | 27.2 | 20.2 | -    |
|                        | 62      | 44.8                                 | 4.1                           | 44.8                    | 44.8 | 42.6 | 35.6 | 28.6 | 21.6 | 42.0                            | 4.4                           | 42.0                    | 42.0 | 40.4 | 33.4 | 26.4 | 19.3 |
|                        | 57      | 44.3                                 | 4.0                           | 44.3                    | 44.3 | 44.3 | 37.1 | 30.0 | 22.8 | 41.9                            | 4.4                           | 41.9                    | 41.9 | 41.0 | 33.9 | 26.7 | 19.6 |
|                        |         |                                      |                               | <b>115°F</b>            |      |      |      |      |      |                                 |                               |                         |      |      |      |      |      |
| 1000                   | 77      | 34.7                                 | 3.5                           | 24.2                    | 11.2 | 11.2 | -    | -    | -    |                                 |                               |                         |      |      |      |      |      |
|                        | 72      | 31.5                                 | 3.5                           | 26.2                    | 16.8 | 16.8 | 12.0 | -    | -    |                                 |                               |                         |      |      |      |      |      |
|                        | 67      | 28.2                                 | 3.4                           | 28.2                    | 22.3 | 22.3 | 17.8 | 13.3 | -    |                                 |                               |                         |      |      |      |      |      |
|                        | 62      | 25.4                                 | 3.4                           | 25.4                    | 25.4 | 25.8 | 21.1 | 15.8 | 11.7 |                                 |                               |                         |      |      |      |      |      |
|                        | 57      | 26.3                                 | 3.4                           | 26.3                    | 25.9 | 25.9 | 20.9 | 15.8 | 10.7 |                                 |                               |                         |      |      |      |      |      |
| 1550                   | 77      | 47.4                                 | 5.3                           | 33.2                    | 21.6 | 15.5 | -    | -    | -    |                                 |                               |                         |      |      |      |      |      |
|                        | 72      | 44.5                                 | 5.1                           | 37.4                    | 30.8 | 24.2 | 17.6 | -    | -    |                                 |                               |                         |      |      |      |      |      |
|                        | 67      | 41.6                                 | 5.0                           | 41.6                    | 40.0 | 32.9 | 25.8 | 18.7 | -    |                                 |                               |                         |      |      |      |      |      |
|                        | 62      | 39.2                                 | 4.8                           | 39.2                    | 39.2 | 38.2 | 31.2 | 24.1 | 17.0 |                                 |                               |                         |      |      |      |      |      |
|                        | 57      | 39.4                                 | 4.8                           | 39.4                    | 39.4 | 37.8 | 30.6 | 23.5 | 16.3 |                                 |                               |                         |      |      |      |      |      |

1. These capacities are Net Capacities.
2. These ratings include the compressor, condenser fan and supply air blower motors.

## Airflow Performance

### DNZ Side Duct Application

| Model (Tons) | Unit Speed      | External Static Pressure (Inch Water Gauge) |     |      |      |     |      |      |     |      |      |     |      |      |     |      |
|--------------|-----------------|---|-----|------|------|-----|------|------|-----|------|------|-----|------|------|-----|------|
|              |                 | 0.2   |     |      | 0.4  |     |      | 0.6  |     |      | 0.8  |     |      | 1.0  |     |      |
|              |                 | SCFM  | W   | RPM  | SCFM | W   | RPM  | SCFM | W   | RPM  | SCFM | W   | RPM  | SCFM | W   | RPM  |
| DNZ024 (2.0) | Low (1)         | 719   | 115 | 752  | 617  | 130 | 858  | -    | -   | -    | -    | -   | -    | -    | -   | -    |
|              | Low/Medium (2)  | 781   | 137 | 789  | 691  | 155 | 891  | -    | -   | -    | -    | -   | -    | -    | -   | -    |
|              | Medium (3)      | 902   | 187 | 858  | 824  | 207 | 949  | 734  | 223 | 1037 | 622  | 230 | 1116 | -    | -   | -    |
|              | Medium/High (4) | -   | -   | -    | 937  | 258 | 998  | 845  | 270 | 1075 | 722  | 271 | 1146 | -    | -   | -    |
|              | High (5)        | -   | -   | -    | -    | -   | -    | 933  | 316 | 1104 | 796  | 307 | 1162 | -    | -   | -    |
| DNZ030 (2.5) | Low (1)         | 827   | 163 | 825  | 759  | 187 | 919  | -    | -   | -    | -    | -   | -    | -    | -   | -    |
|              | Low/Medium (2)  | 988   | 251 | 914  | 916  | 269 | 992  | 831  | 282 | 1067 | -    | -   | -    | -    | -   | -    |
|              | Medium (3)      | 1113  | 322 | 984  | 1035 | 333 | 1047 | 941  | 337 | 1108 | 818  | 329 | 1162 | -    | -   | -    |
|              | Medium/High (4) | 1233  | 394 | 1050 | 1145 | 394 | 1099 | 1040 | 388 | 1145 | 901  | 367 | 1184 | -    | -   | -    |
|              | High (5)        | -   | -   | -    | -    | -   | -    | 1078 | 425 | 1164 | 867  | 353 | 1173 | -    | -   | -    |
| DNZ036 (3.0) | Low (1)         | 1032  | 236 | 789  | 921  | 258 | 853  | -    | -   | -    | -    | -   | -    | -    | -   | -    |
|              | Low/Medium (2)  | 1185  | 317 | 859  | 1089 | 347 | 924  | 985  | 373 | 991  | -    | -   | -    | -    | -   | -    |
|              | Medium (3)      | 1304  | 395 | 913  | 1214 | 424 | 978  | 1114 | 448 | 1040 | 994  | 462 | 1098 | -    | -   | -    |
|              | Medium/High (4) | 1445  | 515 | 976  | 1357 | 532 | 1041 | 1252 | 542 | 1097 | 1117 | 537 | 1140 | -    | -   | -    |
|              | High (5)        | -   | -   | -    | 1498 | 708 | 1108 | 1363 | 665 | 1157 | 1179 | 599 | 1178 | -    | -   | -    |
| DNZ042 (3.5) | Low (1)         | 1114  | 176 | 642  | -    | -   | -    | -    | -   | -    | -    | -   | -    | -    | -   | -    |
|              | Low/Medium (2)  | 1223  | 230 | 679  | 1056 | 264 | 773  | -    | -   | -    | -    | -   | -    | -    | -   | -    |
|              | Medium (3)      | 1641  | 404 | 751  | 1418 | 460 | 872  | 1288 | 492 | 942  | 1187 | 518 | 997  | 1101 | 540 | 1044 |
|              | Medium/High (4) | -   | -   | -    | 1535 | 547 | 904  | 1398 | 582 | 976  | 1292 | 606 | 1030 | 1203 | 624 | 1074 |
|              | High (5)        | -   | -   | -    | 1665 | 664 | 940  | 1514 | 701 | 1015 | 1399 | 720 | 1067 | 1304 | 729 | 1106 |
| DNZ048 (4.0) | Low (1)         | 1378  | 310 | 749  | 1209 | 343 | 840  | -    | -   | -    | -    | -   | -    | -    | -   | -    |
|              | Low/Medium (2)  | 1414  | 331 | 763  | 1253 | 366 | 851  | -    | -   | -    | -    | -   | -    | -    | -   | -    |
|              | Medium (3)      | 1713  | 544 | 872  | 1604 | 587 | 940  | 1484 | 624 | 1005 | 1343 | 653 | 1067 | -    | -   | -    |
|              | Medium/High (4) | 1882  | 703 | 931  | 1786 | 740 | 987  | 1671 | 769 | 1044 | 1522 | 783 | 1099 | 1231 | 717 | 1142 |
|              | High (5)        | -   | -   | -    | 1972 | 946 | 1037 | 1851 | 949 | 1078 | 1689 | 927 | 1118 | 1306 | 759 | 1142 |
| DNZ060 (5.0) | Low (1)         | 1556  | 416 | 802  | -    | -   | -    | -    | -   | -    | -    | -   | -    | -    | -   | -    |
|              | Low/Medium (2)  | 1648  | 489 | 843  | 1522 | 529 | 917  | -    | -   | -    | -    | -   | -    | -    | -   | -    |
|              | Medium (3)      | 1767  | 595 | 892  | 1664 | 633 | 954  | 1546 | 668 | 1015 | -    | -   | -    | -    | -   | -    |
|              | Medium/High (4) | 1913  | 739 | 946  | 1819 | 769 | 996  | 1702 | 791 | 1049 | 1550 | 800 | 1102 | -    | -   | -    |
|              | High (5)        | 2103  | 952 | 1007 | 1990 | 957 | 1047 | 1855 | 948 | 1086 | 1674 | 912 | 1122 | -    | -   | -    |

### DNZ Bottom Duct Application

| Model (Tons) | Unit Speed      | External Static Pressure (Inch Water Gauge) |     |      |      |     |      |      |     |      |      |     |      |      |     |      |
|--------------|-----------------|---|-----|------|------|-----|------|------|-----|------|------|-----|------|------|-----|------|
|              |                 | 0.2   |     |      | 0.4  |     |      | 0.6  |     |      | 0.8  |     |      | 1.0  |     |      |
|              |                 | SCFM  | W   | RPM  | SCFM | W   | RPM  | SCFM | W   | RPM  | SCFM | W   | RPM  | SCFM | W   | RPM  |
| DNZ024 (2.0) | Low (1)         | 719   | 115 | 752  | 617  | 130 | 858  | -    | -   | -    | -    | -   | -    | -    | -   | -    |
|              | Low/Medium (2)  | 781   | 137 | 789  | 691  | 155 | 891  | -    | -   | -    | -    | -   | -    | -    | -   | -    |
|              | Medium (3)      | 902   | 187 | 858  | 824  | 207 | 949  | 734  | 223 | 1037 | 622  | 230 | 1116 | -    | -   | -    |
|              | Medium/High (4) | -   | -   | -    | 937  | 258 | 998  | 845  | 270 | 1075 | 722  | 271 | 1146 | -    | -   | -    |
|              | High (5)        | -   | -   | -    | -    | -   | -    | 933  | 316 | 1104 | 796  | 307 | 1162 | -    | -   | -    |
| DNZ030 (2.5) | Low (1)         | 827   | 163 | 825  | 759  | 187 | 919  | -    | -   | -    | -    | -   | -    | -    | -   | -    |
|              | Low/Medium (2)  | 988   | 251 | 914  | 916  | 269 | 992  | 831  | 282 | 1067 | -    | -   | -    | -    | -   | -    |
|              | Medium (3)      | 1113  | 322 | 984  | 1035 | 333 | 1047 | 941  | 337 | 1108 | 818  | 329 | 1162 | -    | -   | -    |
|              | Medium/High (4) | 1233  | 394 | 1050 | 1145 | 394 | 1099 | 1040 | 388 | 1145 | 901  | 367 | 1184 | -    | -   | -    |
|              | High (5)        | -   | -   | -    | -    | -   | -    | 1078 | 425 | 1164 | 867  | 353 | 1173 | -    | -   | -    |
| DNZ036 (3.0) | Low (1)         | 1032  | 236 | 789  | 921  | 258 | 853  | -    | -   | -    | -    | -   | -    | -    | -   | -    |
|              | Low/Medium (2)  | 1185  | 317 | 859  | 1089 | 347 | 924  | 985  | 373 | 991  | -    | -   | -    | -    | -   | -    |
|              | Medium (3)      | 1304  | 395 | 913  | 1214 | 424 | 978  | 1114 | 448 | 1040 | 994  | 462 | 1098 | -    | -   | -    |
|              | Medium/High (4) | 1445  | 515 | 976  | 1357 | 532 | 1041 | 1252 | 542 | 1097 | 1117 | 537 | 1140 | -    | -   | -    |
|              | High (5)        | -   | -   | -    | 1498 | 708 | 1108 | 1363 | 665 | 1157 | 1179 | 599 | 1178 | -    | -   | -    |
| DNZ042 (3.5) | Low (1)         | 1114  | 176 | 642  | -    | -   | -    | -    | -   | -    | -    | -   | -    | -    | -   | -    |
|              | Low/Medium (2)  | 1223  | 230 | 679  | 1056 | 264 | 773  | -    | -   | -    | -    | -   | -    | -    | -   | -    |
|              | Medium (3)      | 1641  | 404 | 751  | 1418 | 460 | 872  | 1288 | 492 | 942  | 1187 | 518 | 997  | 1101 | 540 | 1044 |
|              | Medium/High (4) | -   | -   | -    | 1535 | 547 | 904  | 1398 | 582 | 976  | 1292 | 606 | 1030 | 1203 | 624 | 1074 |
|              | High (5)        | -   | -   | -    | 1665 | 664 | 940  | 1514 | 701 | 1015 | 1399 | 720 | 1067 | 1304 | 729 | 1106 |
| DNZ048 (4.0) | Low (1)         | 1378  | 310 | 749  | 1209 | 343 | 840  | -    | -   | -    | -    | -   | -    | -    | -   | -    |
|              | Low/Medium (2)  | 1414  | 331 | 763  | 1253 | 366 | 851  | -    | -   | -    | -    | -   | -    | -    | -   | -    |
|              | Medium (3)      | 1713  | 544 | 872  | 1604 | 587 | 940  | 1484 | 624 | 1005 | 1343 | 653 | 1067 | -    | -   | -    |
|              | Medium/High (4) | 1882  | 703 | 931  | 1786 | 740 | 987  | 1671 | 769 | 1044 | 1522 | 783 | 1099 | 1231 | 717 | 1142 |
|              | High (5)        | -   | -   | -    | 1972 | 946 | 1037 | 1851 | 949 | 1078 | 1689 | 927 | 1118 | 1306 | 759 | 1142 |
| DNZ060 (5.0) | Low (1)         | 1556  | 416 | 802  | -    | -   | -    | -    | -   | -    | -    | -   | -    | -    | -   | -    |
|              | Low/Medium (2)  | 1648  | 489 | 843  | 1522 | 529 | 917  | -    | -   | -    | -    | -   | -    | -    | -   | -    |
|              | Medium (3)      | 1767  | 595 | 892  | 1664 | 633 | 954  | 1546 | 668 | 1015 | -    | -   | -    | -    | -   | -    |
|              | Medium/High (4) | 1913  | 739 | 946  | 1819 | 769 | 996  | 1702 | 791 | 1049 | 1550 | 800 | 1102 | -    | -   | -    |
|              | High (5)        | 2103  | 952 | 1007 | 1990 | 957 | 1047 | 1855 | 948 | 1086 | 1674 | 912 | 1122 | -    | -   | -    |



## DNQ Side Duct Application

| Model<br>(Tons) | Mode |      | Thermostat<br>Input | Speed<br>Tap | CFM  | External Static Pressure (Inch Water Gauge) |       |       |       |       |       |       |       |       |
|-----------------|------|------|---------------------|--------------|------|---|-------|-------|-------|-------|-------|-------|-------|-------|
|                 |      |      |                     |              |      | 0.2   | 0.3   | 0.4   | 0.5   | 0.6   | 0.7   | 0.8   | 0.9   | 1.0   |
|                 |      |      |                     |              |      | Watts                                       | Watts | Watts | Watts | Watts | Watts | Watts | Watts | Watts |
| DNQ024<br>(2.0) | Cool | High | Y1                  | COOL-A       | 800  | 177   | 204   | 232   | 261   | 290   | 320   | 350   | 382   | 414   |
|                 |      |      | Y1                  | COOL-B       | 600  | 100   | 122   | 145   | 169   | 194   | 221   | 249   | 279   | 310   |
|                 |      |      | Y1                  | COOL-C       | 700  | 134   | 159   | 184   | 211   | 238   | 265   | 293   | 323   | 352   |
|                 |      |      | Y1                  | COOL-D       | 900  | 229   | 258   | 288   | 319   | 351   | 385   | 420   | 457   | 494   |
|                 | Heat | N036 | W1                  | HEAT-A       | 670  | 123   | 147   | 172   | 197   | 224   | 251   | -     | -     | -     |
|                 |      |      | W1                  | HEAT-B       | 730  | 146   | 172   | 198   | 225   | 252   | 280   | -     | -     | -     |
|                 |      |      | W1                  | HEAT-C       | 790  | 173   | 199   | 227   | 255   | 284   | 314   | -     | -     | -     |
|                 |      |      | W1                  | HEAT-D       | 850  | 202   | 230   | 259   | 289   | 319   | 351   | -     | -     | -     |
|                 |      | N056 | W1                  | HEAT-A       | 940  | 253   | 281   | 312   | 344   | 378   | -     | -     | -     | -     |
|                 |      |      | W1                  | HEAT-B       | 975  | 274   | 303   | 334   | 368   | 403   | -     | -     | -     | -     |
|                 |      |      | W1                  | HEAT-C       | 1000 | 290   | 319   | 351   | 385   | 422   | -     | -     | -     | -     |
|                 |      |      | W1                  | HEAT-D       | 1050 | 324   | 353   | 386   | 422   | 461   | -     | -     | -     | -     |
|                 |      | D056 | W1                  | HEAT-A       | 670  | 123   | 147   | 172   | 197   | 224   | -     | -     | -     | -     |
|                 |      |      | W1                  | HEAT-B       | 690  | 130   | 155   | 180   | 206   | 233   | -     | -     | -     | -     |
|                 |      |      | W1                  | HEAT-C       | 710  | 138   | 163   | 189   | 215   | 242   | -     | -     | -     | -     |
|                 |      |      | W1                  | HEAT-D       | 750  | 155   | 181   | 207   | 235   | 262   | -     | -     | -     | -     |
|                 |      |      | W1+W2               | HEAT-A       | 940  | 253   | 281   | 312   | 344   | 378   | -     | -     | -     | -     |
|                 |      |      | W1+W2               | HEAT-B       | 970  | 271   | 300   | 331   | 364   | 400   | -     | -     | -     | -     |
|                 |      |      | W1+W2               | HEAT-C       | 1000 | 290   | 319   | 351   | 385   | 422   | -     | -     | -     | -     |
|                 |      |      | W1+W2               | HEAT-D       | 1050 | 324   | 353   | 386   | 422   | 461   | -     | -     | -     | -     |
| DNQ030<br>(2.5) | Cool | High | Y1                  | COOL-A       | 900  | 222   | 254   | 291   | 323   | 340   | 381   | 431   | 462   | 516   |
|                 |      |      | Y1                  | COOL-B       | 1000 | 271   | 306   | 360   | 397   | 433   | 469   | 508   | 554   | 571   |
|                 |      |      | Y1                  | COOL-C       | 1125 | 367   | 411   | 445   | 500   | 533   | 588   | 625   | 647   | 665   |
|                 |      |      | Y1                  | COOL-D       | 1250 | 472   | 522   | 587   | 628   | 660   | 686   | 701   | 720   | 736   |
|                 | Heat | N036 | W1                  | HEAT-A       | 670  | 121   | 152   | 180   | 205   | 228   | 257   | -     | -     | -     |
|                 |      |      | W1                  | HEAT-B       | 730  | 143   | 180   | 204   | 225   | 260   | 286   | -     | -     | -     |
|                 |      |      | W1                  | HEAT-C       | 790  | 172   | 205   | 237   | 267   | 296   | 329   | -     | -     | -     |
|                 |      |      | W1                  | HEAT-D       | 850  | 195   | 235   | 263   | 310   | 324   | 366   | -     | -     | -     |
|                 |      | N056 | W1                  | HEAT-A       | 1050 | 297   | 341   | 385   | 427   | 469   | -     | -     | -     | -     |
|                 |      |      | W1                  | HEAT-B       | 1135 | 379   | 417   | 455   | 496   | 536   | -     | -     | -     | -     |
|                 |      |      | W1                  | HEAT-C       | 1220 | 448   | 493   | 537   | 586   | 635   | -     | -     | -     | -     |
|                 |      |      | W1                  | HEAT-D       | 1300 | 514   | 562   | 610   | 655   | 700   | -     | -     | -     | -     |
|                 |      | D056 | W1                  | HEAT-A       | 680  | 130   | 161   | 189   | 214   | 237   | -     | -     | -     | -     |
|                 |      |      | W1                  | HEAT-B       | 735  | 150   | 185   | 212   | 229   | 269   | -     | -     | -     | -     |
|                 |      |      | W1                  | HEAT-C       | 790  | 172   | 205   | 237   | 267   | 296   | -     | -     | -     | -     |
|                 |      |      | W1                  | HEAT-D       | 840  | 204   | 244   | 272   | 319   | 333   | -     | -     | -     | -     |
|                 |      |      | W1+W2               | HEAT-A       | 1050 | 297   | 341   | 385   | 427   | 469   | -     | -     | -     | -     |
|                 |      |      | W1+W2               | HEAT-B       | 1135 | 379   | 417   | 455   | 496   | 536   | -     | -     | -     | -     |
|                 |      |      | W1+W2               | HEAT-C       | 1220 | 448   | 493   | 537   | 586   | 635   | -     | -     | -     | -     |
|                 |      |      | W1+W2               | HEAT-D       | 1300 | 514   | 562   | 610   | 655   | 700   | -     | -     | -     | -     |

**DNQ Side Duct Application (Continued)**

| Model<br>(Tons) | Mode |      | Thermostat<br>Input | Speed<br>Tap | CFM    | External Static Pressure (Inch Water Gauge) |       |       |       |       |       |       |       |       |      |
|-----------------|------|------|---------------------|--------------|--------|---|-------|-------|-------|-------|-------|-------|-------|-------|------|
|                 |      |      |                     |              |        | 0.2   | 0.3   | 0.4   | 0.5   | 0.6   | 0.7   | 0.8   | 0.9   | 1.0   |      |
|                 |      |      |                     |              |        | Watts                                       | Watts | Watts | Watts | Watts | Watts | Watts | Watts | Watts |      |
| DNQ036<br>(3.0) | Cool | High | Y1                  | COOL-A       | 1100   | 363   | 410   | 459   | 509   | 559   | 611   | 664   | 719   | 773   |      |
|                 |      |      | Y1                  | COOL-B       | 1050   | 328   | 375   | 424   | 474   | 524   | 576   | 629   | 684   | 738   |      |
|                 |      |      | Y1                  | COOL-C       | 1200   | 439   | 489   | 541   | 595   | 652   | 710   | 771   | 835   | 900   |      |
|                 |      |      | Y1                  | COOL-D       | 1350   | 576   | 626   | 680   | 737   | 798   | 863   | 932   | 1005  | -     |      |
|                 | Heat | N036 | W1                  | HEAT-A       | 670    | 162   | 194   | 227   | 258   | 289   | 320   | -     | -     | -     |      |
|                 |      |      | W1                  | HEAT-B       | 730    | 177   | 213   | 248   | 283   | 318   | 352   | -     | -     | -     |      |
|                 |      |      | W1                  | HEAT-C       | 790    | 196   | 235   | 274   | 312   | 350   | 388   | -     | -     | -     |      |
|                 |      |      | W1                  | HEAT-D       | 850    | 220   | 261   | 303   | 344   | 385   | 426   | -     | -     | -     |      |
|                 |      | N056 | W1                  | HEAT-A       | 1050   | 328   | 375   | 424   | 474   | 524   | -     | -     | -     | -     |      |
|                 |      |      | W1                  | HEAT-B       | 1135   | 388   | 437   | 488   | 540   | 594   | -     | -     | -     | -     |      |
|                 |      |      | W1                  | HEAT-C       | 1220   | 456   | 506   | 558   | 613   | 670   | -     | -     | -     | -     |      |
|                 |      |      | W1                  | HEAT-D       | 1300   | 528   | 578   | 631   | 687   | 747   | -     | -     | -     | -     |      |
|                 |      | D056 | W1                  | HEAT-A       | 680    | 164   | 197   | 230   | 262   | 294   | -     | -     | -     | -     |      |
|                 |      |      | W1                  | HEAT-B       | 735    | 178   | 215   | 250   | 286   | 321   | -     | -     | -     | -     |      |
|                 |      |      | W1                  | HEAT-C       | 790    | 196   | 235   | 274   | 312   | 350   | -     | -     | -     | -     |      |
|                 |      |      | W1                  | HEAT-D       | 840    | 216   | 257   | 297   | 338   | 379   | -     | -     | -     | -     |      |
|                 |      |      | W1+W2               | HEAT-A       | 1050   | 328   | 375   | 424   | 474   | 524   | -     | -     | -     | -     |      |
|                 |      |      | W1+W2               | HEAT-B       | 1140   | 392   | 441   | 491   | 544   | 598   | -     | -     | -     | -     |      |
|                 |      |      | W1+W2               | HEAT-C       | 1220   | 456   | 506   | 558   | 613   | 670   | -     | -     | -     | -     |      |
|                 |      |      | W1+W2               | HEAT-D       | 1300   | 528   | 578   | 631   | 687   | 747   | -     | -     | -     | -     |      |
|                 |      | N072 | W1                  | HEAT-A       | 1200   | 439   | 489   | 541   | 595   | -     | -     | -     | -     | -     |      |
|                 |      |      | W1                  | HEAT-B       | 1300   | 528   | 578   | 631   | 687   | -     | -     | -     | -     | -     |      |
|                 |      |      | W1                  | HEAT-C       | 1400   | 628   | 677   | 731   | 789   | -     | -     | -     | -     | -     |      |
|                 |      |      | W1                  | HEAT-D       | 1475   | 710   | 759   | 812   | 871   | -     | -     | -     | -     | -     |      |
|                 |      | D072 | W1                  | HEAT-A       | 790    | 196   | 235   | 274   | 312   | -     | -     | -     | -     | -     |      |
|                 |      |      | W1                  | HEAT-B       | 855    | 222   | 264   | 305   | 347   | -     | -     | -     | -     | -     |      |
|                 |      |      | W1                  | HEAT-C       | 920    | 252   | 296   | 341   | 385   | -     | -     | -     | -     | -     |      |
|                 |      |      | W1                  | HEAT-D       | 975    | 282   | 328   | 374   | 421   | -     | -     | -     | -     | -     |      |
|                 |      |      | W1+W2               | HEAT-A       | 1200   | 439   | 489   | 541   | 595   | -     | -     | -     | -     | -     |      |
|                 |      |      | W1+W2               | HEAT-B       | 1300   | 528   | 578   | 631   | 687   | -     | -     | -     | -     | -     |      |
|                 |      |      | W1+W2               | HEAT-C       | 1400   | 628   | 677   | 731   | 789   | -     | -     | -     | -     | -     |      |
|                 |      |      | W1+W2               | HEAT-D       | 1480   | 716   | 764   | 818   | 877   | -     | -     | -     | -     | -     |      |
| DNQ042<br>(3.5) |      | Cool | High                | Y1           | COOL-A | 1400  | 466   | 513   | 561   | 611   | 663   | 715   | 770   | 826   | 882  |
|                 |      |      |                     | Y1           | COOL-B | 1350  | 430   | 476   | 523   | 571   | 621   | 672   | 718   | 766   | 815  |
|                 |      |      |                     | Y1           | COOL-C | 1500  | 544   | 596   | 648   | 702   | 758   | 815   | 867   | 921   | 975  |
|                 |      |      |                     | Y1           | COOL-D | 1600  | 630   | 687   | 745   | 804   | 864   | 926   | 988   | 1052  | 1116 |
|                 | Heat | N065 | W1                  | HEAT-A       | 1200   | 330   | 373   | 416   | 461   | 507   | 554   | -     | -     | -     |      |
|                 |      |      | W1                  | HEAT-B       | 1300   | 394   | 439   | 484   | 531   | 579   | 629   | -     | -     | -     |      |
|                 |      |      | W1                  | HEAT-C       | 1400   | 466   | 513   | 561   | 611   | 663   | 715   | -     | -     | -     |      |
|                 |      |      | W1                  | HEAT-D       | 1500   | 544   | 596   | 648   | 702   | 758   | 815   | -     | -     | -     |      |
|                 |      | N090 | W1                  | HEAT-A       | 1325   | 412   | 456   | 503   | 550   | 599   | 649   | -     | -     | -     |      |
|                 |      |      | W1                  | HEAT-B       | 1400   | 466   | 513   | 561   | 611   | 663   | 715   | -     | -     | -     |      |
|                 |      |      | W1                  | HEAT-C       | 1500   | 544   | 596   | 648   | 702   | 758   | 815   | -     | -     | -     |      |
|                 |      |      | W1                  | HEAT-D       | 1600   | 630   | 687   | 745   | 804   | 864   | 926   | -     | -     | -     |      |
|                 |      | D090 | W1                  | HEAT-A       | 870    | 168   | 215   | 261   | 306   | 350   | 393   | -     | -     | -     |      |
|                 |      |      | W1                  | HEAT-B       | 920    | 188   | 233   | 278   | 322   | 366   | 409   | -     | -     | -     |      |
|                 |      |      | W1                  | HEAT-C       | 985    | 216   | 260   | 303   | 347   | 391   | 434   | -     | -     | -     |      |
|                 |      |      | W1                  | HEAT-D       | 1050   | 247   | 290   | 333   | 376   | 420   | 464   | -     | -     | -     |      |
|                 |      |      | W1+W2               | HEAT-A       | 1330   | 415   | 460   | 506   | 554   | 603   | 653   | -     | -     | -     |      |
|                 |      |      | W1+W2               | HEAT-B       | 1400   | 466   | 513   | 561   | 611   | 663   | 715   | -     | -     | -     |      |
|                 |      |      | W1+W2               | HEAT-C       | 1500   | 544   | 596   | 648   | 702   | 758   | 815   | -     | -     | -     |      |
|                 |      |      | W1+W2               | HEAT-D       | 1600   | 630   | 687   | 745   | 804   | 864   | 926   | -     | -     | -     |      |

DNQ Side Duct Application (Continued)

| Model<br>(Tons) | Mode |      | Thermostat<br>Input | Speed<br>Tap | CFM  | External Static Pressure (Inch Water Gauge) |       |       |       |       |       |       |       |       |
|-----------------|------|------|---------------------|--------------|------|---|-------|-------|-------|-------|-------|-------|-------|-------|
|                 |      |      |                     |              |      | 0.2   | 0.3   | 0.4   | 0.5   | 0.6   | 0.7   | 0.8   | 0.9   | 1.0   |
|                 |      |      |                     |              |      | Watts                                       | Watts | Watts | Watts | Watts | Watts | Watts | Watts | Watts |
| DNQ048<br>(4.0) | Cool | High | Y1                  | COOL-A       | 1500 | 544   | 596   | 648   | 702   | 758   | 815   | 867   | 921   | 975   |
|                 |      |      | Y1                  | COOL-B       | 1400 | 466   | 513   | 561   | 611   | 663   | 715   | 770   | 826   | 882   |
|                 |      |      | Y1                  | COOL-C       | 1600 | 630   | 687   | 745   | 804   | 864   | 926   | 988   | 1052  | 1116  |
|                 |      |      | Y1                  | COOL-D       | 1700 | 723   | 787   | 851   | 916   | 982   | 1049  | 1116  | 1185  | 1247  |
|                 | Heat | N065 | W1                  | HEAT-A       | 1200 | 330   | 373   | 416   | 461   | 507   | 554   | -     | -     | -     |
|                 |      |      | W1                  | HEAT-B       | 1300 | 394   | 439   | 484   | 531   | 579   | 629   | -     | -     | -     |
|                 |      |      | W1                  | HEAT-C       | 1400 | 466   | 513   | 561   | 611   | 663   | 715   | -     | -     | -     |
|                 |      |      | W1                  | HEAT-D       | 1500 | 544   | 596   | 648   | 702   | 758   | 815   | -     | -     | -     |
|                 |      | N090 | W1                  | HEAT-A       | 1325 | 412   | 456   | 503   | 550   | 599   | 649   | -     | -     | -     |
|                 |      |      | W1                  | HEAT-B       | 1400 | 466   | 513   | 561   | 611   | 663   | 715   | -     | -     | -     |
|                 |      |      | W1                  | HEAT-C       | 1500 | 544   | 596   | 648   | 702   | 758   | 815   | -     | -     | -     |
|                 |      |      | W1                  | HEAT-D       | 1600 | 630   | 687   | 745   | 804   | 864   | 926   | -     | -     | -     |
|                 |      | D090 | W1                  | HEAT-A       | 870  | 168   | 215   | 261   | 306   | 350   | 393   | -     | -     | -     |
|                 |      |      | W1                  | HEAT-B       | 920  | 188   | 233   | 278   | 322   | 366   | 409   | -     | -     | -     |
|                 |      |      | W1                  | HEAT-C       | 985  | 216   | 260   | 303   | 347   | 391   | 434   | -     | -     | -     |
|                 |      |      | W1                  | HEAT-D       | 1050 | 247   | 290   | 333   | 376   | 420   | 464   | -     | -     | -     |
|                 |      |      | W1+W2               | HEAT-A       | 1330 | 415   | 460   | 506   | 554   | 603   | 653   | -     | -     | -     |
|                 |      |      | W1+W2               | HEAT-B       | 1400 | 466   | 513   | 561   | 611   | 663   | 715   | -     | -     | -     |
|                 |      |      | W1+W2               | HEAT-C       | 1500 | 544   | 596   | 648   | 702   | 758   | 815   | -     | -     | -     |
|                 |      |      | W1+W2               | HEAT-D       | 1600 | 630   | 687   | 745   | 804   | 864   | 926   | -     | -     | -     |
|                 |      | N110 | W1                  | HEAT-A       | 1450 | 504   | 553   | 604   | 656   | -     | -     | -     | -     | -     |
|                 |      |      | W1                  | HEAT-B       | 1500 | 544   | 596   | 648   | 702   | -     | -     | -     | -     | -     |
|                 |      |      | W1                  | HEAT-C       | 1600 | 630   | 687   | 745   | 804   | -     | -     | -     | -     | -     |
|                 |      |      | W1                  | HEAT-D       | 1700 | 723   | 787   | 851   | 916   | -     | -     | -     | -     | -     |
|                 |      | D110 | W1                  | HEAT-A       | 940  | 196   | 241   | 285   | 329   | -     | -     | -     | -     | -     |
|                 |      |      | W1                  | HEAT-B       | 970  | 209   | 253   | 297   | 341   | -     | -     | -     | -     | -     |
|                 |      |      | W1                  | HEAT-C       | 1050 | 247   | 290   | 333   | 376   | -     | -     | -     | -     | -     |
|                 |      |      | W1                  | HEAT-D       | 1100 | 273   | 315   | 358   | 402   | -     | -     | -     | -     | -     |
|                 |      |      | W1+W2               | HEAT-A       | 1450 | 504   | 553   | 604   | 656   | -     | -     | -     | -     | -     |
|                 |      |      | W1+W2               | HEAT-B       | 1500 | 544   | 596   | 648   | 702   | -     | -     | -     | -     | -     |
|                 |      |      | W1+W2               | HEAT-C       | 1600 | 630   | 687   | 745   | 804   | -     | -     | -     | -     | -     |
|                 |      |      | W1+W2               | HEAT-D       | 1700 | 723   | 787   | 851   | 916   | -     | -     | -     | -     | -     |
| DNQ060<br>(5.0) | Cool | High | Y1                  | COOL-A       | 1550 | 438   | 480   | 522   | 609   | 696   | 736   | 803   | 866   | 930   |
|                 |      |      | Y1                  | COOL-B       | 1650 | 510   | 554   | 598   | 690   | 782   | 826   | 896   | 963   | 1031  |
|                 |      |      | Y1                  | COOL-C       | 1750 | 589   | 635   | 682   | 778   | 873   | 924   | 995   | 1066  | 1137  |
|                 |      |      | Y1                  | COOL-D       | 2000 | 822   | 875   | 927   | 1027  | 1128  | 1198  | -     | -     | -     |
|                 | Heat | N065 | W1                  | HEAT-A       | 1200 | 251   | 285   | 319   | 382   | 445   | 475   | -     | -     | -     |
|                 |      |      | W1                  | HEAT-B       | 1300 | 295   | 331   | 367   | 438   | 509   | 541   | -     | -     | -     |
|                 |      |      | W1                  | HEAT-C       | 1400 | 346   | 385   | 423   | 501   | 579   | 613   | -     | -     | -     |
|                 |      |      | W1                  | HEAT-D       | 1500 | 405   | 446   | 487   | 572   | 656   | 693   | -     | -     | -     |
|                 |      | N090 | W1                  | HEAT-A       | 1325 | 307   | 344   | 381   | 453   | 526   | 558   | -     | -     | -     |
|                 |      |      | W1                  | HEAT-B       | 1400 | 346   | 385   | 423   | 501   | 579   | 613   | -     | -     | -     |
|                 |      |      | W1                  | HEAT-C       | 1500 | 405   | 446   | 487   | 572   | 656   | 693   | -     | -     | -     |
|                 |      |      | W1                  | HEAT-D       | 1600 | 473   | 516   | 559   | 649   | 738   | 780   | -     | -     | -     |
|                 |      | D090 | W1                  | HEAT-A       | 870  | 165   | 191   | 218   | 246   | 275   | 307   | -     | -     | -     |
|                 |      |      | W1                  | HEAT-B       | 920  | 172   | 200   | 228   | 262   | 296   | 328   | -     | -     | -     |
|                 |      |      | W1                  | HEAT-C       | 985  | 185   | 214   | 243   | 285   | 326   | 357   | -     | -     | -     |
|                 |      |      | W1                  | HEAT-D       | 1050 | 201   | 232   | 263   | 311   | 359   | 389   | -     | -     | -     |
|                 |      |      | W1+W2               | HEAT-A       | 1330 | 309   | 346   | 383   | 456   | 530   | 562   | -     | -     | -     |
|                 |      |      | W1+W2               | HEAT-B       | 1400 | 346   | 385   | 423   | 501   | 579   | 613   | -     | -     | -     |
|                 |      |      | W1+W2               | HEAT-C       | 1500 | 405   | 446   | 487   | 572   | 656   | 693   | -     | -     | -     |
|                 |      |      | W1+W2               | HEAT-D       | 1600 | 473   | 516   | 559   | 649   | 738   | 780   | -     | -     | -     |
|                 |      | N110 | W1                  | HEAT-A       | 1450 | 375   | 414   | 454   | 536   | 617   | 652   | -     | -     | -     |
|                 |      |      | W1                  | HEAT-B       | 1500 | 405   | 446   | 487   | 572   | 656   | 693   | -     | -     | -     |
|                 |      |      | W1                  | HEAT-C       | 1600 | 473   | 516   | 559   | 649   | 738   | 780   | -     | -     | -     |
|                 |      |      | W1                  | HEAT-D       | 1700 | 548   | 594   | 639   | 733   | 827   | 874   | -     | -     | -     |
|                 |      | D110 | W1                  | HEAT-A       | 940  | 176   | 204   | 232   | 269   | 305   | 336   | -     | -     | -     |
|                 |      |      | W1                  | HEAT-B       | 985  | 185   | 214   | 243   | 285   | 326   | 357   | -     | -     | -     |
|                 |      |      | W1                  | HEAT-C       | 1035 | 197   | 227   | 258   | 305   | 351   | 381   | -     | -     | -     |
|                 |      |      | W1                  | HEAT-D       | 1100 | 216   | 248   | 279   | 333   | 386   | 416   | -     | -     | -     |
|                 |      |      | W1+W2               | HEAT-A       | 1450 | 375   | 414   | 454   | 536   | 617   | 652   | -     | -     | -     |
|                 |      |      | W1+W2               | HEAT-B       | 1500 | 405   | 446   | 487   | 572   | 656   | 693   | -     | -     | -     |
|                 |      |      | W1+W2               | HEAT-C       | 1600 | 473   | 516   | 559   | 649   | 738   | 780   | -     | -     | -     |
|                 |      |      | W1+W2               | HEAT-D       | 1700 | 548   | 594   | 639   | 733   | 827   | 874   | -     | -     | -     |

**DNQ Bottom Duct Application**

| Model (Tons) | Mode |      | Thermostat Input | Speed Tap | CFM  | External Static Pressure (Inch Water Gauge) |       |       |       |       |       |       |       |       |
|--------------|------|------|------------------|-----------|------|---|-------|-------|-------|-------|-------|-------|-------|-------|
|              |      |      |                  |           |      | 0.2   | 0.3   | 0.4   | 0.5   | 0.6   | 0.7   | 0.8   | 0.9   | 1.0   |
|              |      |      |                  |           |      | Watts                                       | Watts | Watts | Watts | Watts | Watts | Watts | Watts | Watts |
| DNQ024 (2.0) | Cool | High | Y1               | COOL-A    | 800  | 177   | 204   | 232   | 261   | 290   | 320   | 350   | 382   | 414   |
|              |      |      | Y1               | COOL-B    | 600  | 100   | 122   | 145   | 169   | 194   | 221   | 249   | 279   | 310   |
|              |      |      | Y1               | COOL-C    | 700  | 134   | 159   | 184   | 211   | 238   | 265   | 293   | 323   | 352   |
|              |      |      | Y1               | COOL-D    | 900  | 229   | 258   | 288   | 319   | 351   | 385   | 420   | 457   | 494   |
|              | Heat | N036 | W1               | HEAT-A    | 670  | 123   | 147   | 172   | 197   | 224   | 251   | -     | -     | -     |
|              |      |      | W1               | HEAT-B    | 730  | 146   | 172   | 198   | 225   | 252   | 280   | -     | -     | -     |
|              |      |      | W1               | HEAT-C    | 790  | 173   | 199   | 227   | 255   | 284   | 314   | -     | -     | -     |
|              |      |      | W1               | HEAT-D    | 850  | 202   | 230   | 259   | 289   | 319   | 351   | -     | -     | -     |
|              |      | N056 | W1               | HEAT-A    | 940  | 253   | 281   | 312   | 344   | 378   | -     | -     | -     | -     |
|              |      |      | W1               | HEAT-B    | 975  | 274   | 303   | 334   | 368   | 403   | -     | -     | -     | -     |
|              |      |      | W1               | HEAT-C    | 1000 | 290   | 319   | 351   | 385   | 422   | -     | -     | -     | -     |
|              |      |      | W1               | HEAT-D    | 1050 | 324   | 353   | 386   | 422   | 461   | -     | -     | -     | -     |
|              |      | D056 | W1               | HEAT-A    | 670  | 123   | 147   | 172   | 197   | 224   | -     | -     | -     | -     |
|              |      |      | W1               | HEAT-B    | 690  | 130   | 155   | 180   | 206   | 233   | -     | -     | -     | -     |
|              |      |      | W1               | HEAT-C    | 710  | 138   | 163   | 189   | 215   | 242   | -     | -     | -     | -     |
|              |      |      | W1               | HEAT-D    | 750  | 155   | 181   | 207   | 235   | 262   | -     | -     | -     | -     |
|              |      |      | W1+W2            | HEAT-A    | 940  | 253   | 281   | 312   | 344   | 378   | -     | -     | -     | -     |
|              |      |      | W1+W2            | HEAT-B    | 970  | 271   | 300   | 331   | 364   | 400   | -     | -     | -     | -     |
|              |      |      | W1+W2            | HEAT-C    | 1000 | 290   | 319   | 351   | 385   | 422   | -     | -     | -     | -     |
|              |      |      | W1+W2            | HEAT-D    | 1050 | 324   | 353   | 386   | 422   | 461   | -     | -     | -     | -     |
| DNQ030 (2.5) | Cool | High | Y1               | COOL-A    | 900  | 222   | 254   | 291   | 323   | 340   | 381   | 431   | 462   | 516   |
|              |      |      | Y1               | COOL-B    | 1000 | 271   | 306   | 360   | 397   | 433   | 469   | 508   | 554   | 571   |
|              |      |      | Y1               | COOL-C    | 1125 | 367   | 411   | 445   | 500   | 533   | 588   | 625   | 647   | 665   |
|              |      |      | Y1               | COOL-D    | 1250 | 472   | 522   | 587   | 628   | 660   | 686   | 701   | 720   | 736   |
|              | Heat | N036 | W1               | HEAT-A    | 670  | 121   | 152   | 180   | 205   | 228   | 257   | -     | -     | -     |
|              |      |      | W1               | HEAT-B    | 730  | 143   | 180   | 204   | 225   | 260   | 286   | -     | -     | -     |
|              |      |      | W1               | HEAT-C    | 790  | 172   | 205   | 237   | 267   | 296   | 329   | -     | -     | -     |
|              |      |      | W1               | HEAT-D    | 850  | 195   | 235   | 263   | 310   | 324   | 366   | -     | -     | -     |
|              |      | N056 | W1               | HEAT-A    | 1050 | 297   | 341   | 385   | 427   | 469   | -     | -     | -     | -     |
|              |      |      | W1               | HEAT-B    | 1135 | 379   | 417   | 455   | 496   | 536   | -     | -     | -     | -     |
|              |      |      | W1               | HEAT-C    | 1220 | 448   | 493   | 537   | 586   | 635   | -     | -     | -     | -     |
|              |      |      | W1               | HEAT-D    | 1300 | 514   | 562   | 610   | 655   | 700   | -     | -     | -     | -     |
|              |      | D056 | W1               | HEAT-A    | 680  | 130   | 161   | 189   | 214   | 237   | -     | -     | -     | -     |
|              |      |      | W1               | HEAT-B    | 735  | 150   | 185   | 212   | 229   | 269   | -     | -     | -     | -     |
|              |      |      | W1               | HEAT-C    | 790  | 172   | 205   | 237   | 267   | 296   | -     | -     | -     | -     |
|              |      |      | W1               | HEAT-D    | 840  | 204   | 244   | 272   | 319   | 333   | -     | -     | -     | -     |
|              |      |      | W1+W2            | HEAT-A    | 1050 | 297   | 341   | 385   | 427   | 469   | -     | -     | -     | -     |
|              |      |      | W1+W2            | HEAT-B    | 1135 | 379   | 417   | 455   | 496   | 536   | -     | -     | -     | -     |
|              |      |      | W1+W2            | HEAT-C    | 1220 | 448   | 493   | 537   | 586   | 635   | -     | -     | -     | -     |
|              |      |      | W1+W2            | HEAT-D    | 1300 | 514   | 562   | 610   | 655   | 700   | -     | -     | -     | -     |

## DNQ Bottom Duct Application (Continued)

| Model<br>(Tons) | Mode |      | Thermostat<br>Input | Speed<br>Tap | CFM  | External Static Pressure (Inch Water Gauge) |       |       |       |       |       |       |       |       |
|-----------------|------|------|---------------------|--------------|------|---|-------|-------|-------|-------|-------|-------|-------|-------|
|                 |      |      |                     |              |      | 0.2   | 0.3   | 0.4   | 0.5   | 0.6   | 0.7   | 0.8   | 0.9   | 1.0   |
|                 |      |      |                     |              |      | Watts                                       | Watts | Watts | Watts | Watts | Watts | Watts | Watts | Watts |
| DNQ036<br>(3.0) | Cool | High | Y1                  | COOL-A       | 1100 | 363   | 410   | 459   | 509   | 559   | 611   | 664   | 719   | 773   |
|                 |      |      | Y1                  | COOL-B       | 1050 | 328   | 375   | 424   | 474   | 524   | 576   | 629   | 684   | 738   |
|                 |      |      | Y1                  | COOL-C       | 1200 | 439   | 489   | 541   | 595   | 652   | 710   | 771   | 835   | 900   |
|                 |      |      | Y1                  | COOL-D       | 1350 | 576   | 626   | 680   | 737   | 798   | 863   | 932   | 1005  | -     |
|                 | Heat | N036 | W1                  | HEAT-A       | 670  | 162   | 194   | 227   | 258   | 289   | 320   | -     | -     | -     |
|                 |      |      | W1                  | HEAT-B       | 730  | 177   | 213   | 248   | 283   | 318   | 352   | -     | -     | -     |
|                 |      |      | W1                  | HEAT-C       | 790  | 196   | 235   | 274   | 312   | 350   | 388   | -     | -     | -     |
|                 |      |      | W1                  | HEAT-D       | 850  | 220   | 261   | 303   | 344   | 385   | 426   | -     | -     | -     |
|                 |      | N056 | W1                  | HEAT-A       | 1050 | 328   | 375   | 424   | 474   | 524   | -     | -     | -     | -     |
|                 |      |      | W1                  | HEAT-B       | 1135 | 388   | 437   | 488   | 540   | 594   | -     | -     | -     | -     |
|                 |      |      | W1                  | HEAT-C       | 1220 | 456   | 506   | 558   | 613   | 670   | -     | -     | -     | -     |
|                 |      |      | W1                  | HEAT-D       | 1300 | 528   | 578   | 631   | 687   | 747   | -     | -     | -     | -     |
|                 |      | D056 | W1                  | HEAT-A       | 680  | 164   | 197   | 230   | 262   | 294   | -     | -     | -     | -     |
|                 |      |      | W1                  | HEAT-B       | 735  | 178   | 215   | 250   | 286   | 321   | -     | -     | -     | -     |
|                 |      |      | W1                  | HEAT-C       | 790  | 196   | 235   | 274   | 312   | 350   | -     | -     | -     | -     |
|                 |      |      | W1                  | HEAT-D       | 840  | 216   | 257   | 297   | 338   | 379   | -     | -     | -     | -     |
|                 |      |      | W1+W2               | HEAT-A       | 1050 | 328   | 375   | 424   | 474   | 524   | -     | -     | -     | -     |
|                 |      |      | W1+W2               | HEAT-B       | 1140 | 392   | 441   | 491   | 544   | 598   | -     | -     | -     | -     |
|                 |      |      | W1+W2               | HEAT-C       | 1220 | 456   | 506   | 558   | 613   | 670   | -     | -     | -     | -     |
|                 |      |      | W1+W2               | HEAT-D       | 1300 | 528   | 578   | 631   | 687   | 747   | -     | -     | -     | -     |
|                 |      | N072 | W1                  | HEAT-A       | 1200 | 439   | 489   | 541   | 595   | -     | -     | -     | -     | -     |
|                 |      |      | W1                  | HEAT-B       | 1300 | 528   | 578   | 631   | 687   | -     | -     | -     | -     | -     |
|                 |      |      | W1                  | HEAT-C       | 1400 | 628   | 677   | 731   | 789   | -     | -     | -     | -     | -     |
|                 |      |      | W1                  | HEAT-D       | 1475 | 710   | 759   | 812   | 871   | -     | -     | -     | -     | -     |
|                 |      | D072 | W1                  | HEAT-A       | 790  | 196   | 235   | 274   | 312   | -     | -     | -     | -     | -     |
|                 |      |      | W1                  | HEAT-B       | 855  | 222   | 264   | 305   | 347   | -     | -     | -     | -     | -     |
|                 |      |      | W1                  | HEAT-C       | 920  | 252   | 296   | 341   | 385   | -     | -     | -     | -     | -     |
|                 |      |      | W1                  | HEAT-D       | 975  | 282   | 328   | 374   | 421   | -     | -     | -     | -     | -     |
|                 |      |      | W1+W2               | HEAT-A       | 1200 | 439   | 489   | 541   | 595   | -     | -     | -     | -     | -     |
|                 |      |      | W1+W2               | HEAT-B       | 1300 | 528   | 578   | 631   | 687   | -     | -     | -     | -     | -     |
|                 |      |      | W1+W2               | HEAT-C       | 1400 | 628   | 677   | 731   | 789   | -     | -     | -     | -     | -     |
|                 |      |      | W1+W2               | HEAT-D       | 1480 | 716   | 764   | 818   | 877   | -     | -     | -     | -     | -     |
| DNQ042<br>(3.5) | Cool | High | Y1                  | COOL-A       | 1400 | 466   | 513   | 561   | 611   | 663   | 715   | 770   | 826   | 882   |
|                 |      |      | Y1                  | COOL-B       | 1350 | 430   | 476   | 523   | 571   | 621   | 672   | 718   | 766   | 815   |
|                 |      |      | Y1                  | COOL-C       | 1500 | 544   | 596   | 648   | 702   | 758   | 815   | 867   | 921   | 975   |
|                 |      |      | Y1                  | COOL-D       | 1600 | 630   | 687   | 745   | 804   | 864   | 926   | 988   | 1052  | 1116  |
|                 | Heat | N065 | W1                  | HEAT-A       | 1200 | 330   | 373   | 416   | 461   | 507   | 554   | -     | -     | -     |
|                 |      |      | W1                  | HEAT-B       | 1300 | 394   | 439   | 484   | 531   | 579   | 629   | -     | -     | -     |
|                 |      |      | W1                  | HEAT-C       | 1400 | 466   | 513   | 561   | 611   | 663   | 715   | -     | -     | -     |
|                 |      |      | W1                  | HEAT-D       | 1500 | 544   | 596   | 648   | 702   | 758   | 815   | -     | -     | -     |
|                 |      | N090 | W1                  | HEAT-A       | 1325 | 412   | 456   | 503   | 550   | 599   | 649   | -     | -     | -     |
|                 |      |      | W1                  | HEAT-B       | 1400 | 466   | 513   | 561   | 611   | 663   | 715   | -     | -     | -     |
|                 |      |      | W1                  | HEAT-C       | 1500 | 544   | 596   | 648   | 702   | 758   | 815   | -     | -     | -     |
|                 |      |      | W1                  | HEAT-D       | 1600 | 630   | 687   | 745   | 804   | 864   | 926   | -     | -     | -     |
|                 |      | D090 | W1                  | HEAT-A       | 870  | 168   | 215   | 261   | 306   | 350   | 393   | -     | -     | -     |
|                 |      |      | W1                  | HEAT-B       | 920  | 188   | 233   | 278   | 322   | 366   | 409   | -     | -     | -     |
|                 |      |      | W1                  | HEAT-C       | 985  | 216   | 260   | 303   | 347   | 391   | 434   | -     | -     | -     |
|                 |      |      | W1                  | HEAT-D       | 1050 | 247   | 290   | 333   | 376   | 420   | 464   | -     | -     | -     |
|                 |      |      | W1+W2               | HEAT-A       | 1330 | 415   | 460   | 506   | 554   | 603   | 653   | -     | -     | -     |
|                 |      |      | W1+W2               | HEAT-B       | 1400 | 466   | 513   | 561   | 611   | 663   | 715   | -     | -     | -     |
|                 |      |      | W1+W2               | HEAT-C       | 1500 | 544   | 596   | 648   | 702   | 758   | 815   | -     | -     | -     |
|                 |      |      | W1+W2               | HEAT-D       | 1600 | 630   | 687   | 745   | 804   | 864   | 926   | -     | -     | -     |

**DNQ Bottom Duct Application (Continued)**

| Model<br>(Tons) | Mode |      | Thermostat<br>Input | Speed<br>Tap | CFM  | External Static Pressure (Inch Water Gauge) |       |       |       |       |       |       |       |       |
|-----------------|------|------|---------------------|--------------|------|---|-------|-------|-------|-------|-------|-------|-------|-------|
|                 |      |      |                     |              |      | 0.2   | 0.3   | 0.4   | 0.5   | 0.6   | 0.7   | 0.8   | 0.9   | 1.0   |
|                 |      |      |                     |              |      | Watts                                       | Watts | Watts | Watts | Watts | Watts | Watts | Watts | Watts |
| DNQ048<br>(4.0) | Cool | High | Y1                  | COOL-A       | 1500 | 544   | 596   | 648   | 702   | 758   | 815   | 867   | 921   | 975   |
|                 |      |      | Y1                  | COOL-B       | 1400 | 466   | 513   | 561   | 611   | 663   | 715   | 770   | 826   | 882   |
|                 |      |      | Y1                  | COOL-C       | 1600 | 630   | 687   | 745   | 804   | 864   | 926   | 988   | 1052  | 1116  |
|                 |      |      | Y1                  | COOL-D       | 1700 | 723   | 787   | 851   | 916   | 982   | 1049  | 1116  | 1185  | 1247  |
|                 | Heat | N065 | W1                  | HEAT-A       | 1200 | 330   | 373   | 416   | 461   | 507   | 554   | -     | -     | -     |
|                 |      |      | W1                  | HEAT-B       | 1300 | 394   | 439   | 484   | 531   | 579   | 629   | -     | -     | -     |
|                 |      |      | W1                  | HEAT-C       | 1400 | 466   | 513   | 561   | 611   | 663   | 715   | -     | -     | -     |
|                 |      |      | W1                  | HEAT-D       | 1500 | 544   | 596   | 648   | 702   | 758   | 815   | -     | -     | -     |
|                 |      | N090 | W1                  | HEAT-A       | 1325 | 412   | 456   | 503   | 550   | 599   | 649   | -     | -     | -     |
|                 |      |      | W1                  | HEAT-B       | 1400 | 466   | 513   | 561   | 611   | 663   | 715   | -     | -     | -     |
|                 |      |      | W1                  | HEAT-C       | 1500 | 544   | 596   | 648   | 702   | 758   | 815   | -     | -     | -     |
|                 |      |      | W1                  | HEAT-D       | 1600 | 630   | 687   | 745   | 804   | 864   | 926   | -     | -     | -     |
|                 |      | D090 | W1                  | HEAT-A       | 870  | 168   | 215   | 261   | 306   | 350   | 393   | -     | -     | -     |
|                 |      |      | W1                  | HEAT-B       | 920  | 188   | 233   | 278   | 322   | 366   | 409   | -     | -     | -     |
|                 |      |      | W1                  | HEAT-C       | 985  | 216   | 260   | 303   | 347   | 391   | 434   | -     | -     | -     |
|                 |      |      | W1                  | HEAT-D       | 1050 | 247   | 290   | 333   | 376   | 420   | 464   | -     | -     | -     |
|                 |      |      | W1+W2               | HEAT-A       | 1330 | 415   | 460   | 506   | 554   | 603   | 653   | -     | -     | -     |
|                 |      |      | W1+W2               | HEAT-B       | 1400 | 466   | 513   | 561   | 611   | 663   | 715   | -     | -     | -     |
|                 |      |      | W1+W2               | HEAT-C       | 1500 | 544   | 596   | 648   | 702   | 758   | 815   | -     | -     | -     |
|                 |      |      | W1+W2               | HEAT-D       | 1600 | 630   | 687   | 745   | 804   | 864   | 926   | -     | -     | -     |
|                 |      | N110 | W1                  | HEAT-A       | 1450 | 504   | 553   | 604   | 656   | -     | -     | -     | -     | -     |
|                 |      |      | W1                  | HEAT-B       | 1500 | 544   | 596   | 648   | 702   | -     | -     | -     | -     | -     |
|                 |      |      | W1                  | HEAT-C       | 1600 | 630   | 687   | 745   | 804   | -     | -     | -     | -     | -     |
|                 |      |      | W1                  | HEAT-D       | 1700 | 723   | 787   | 851   | 916   | -     | -     | -     | -     | -     |
|                 |      | D110 | W1                  | HEAT-A       | 940  | 196   | 241   | 285   | 329   | -     | -     | -     | -     | -     |
|                 |      |      | W1                  | HEAT-B       | 970  | 209   | 253   | 297   | 341   | -     | -     | -     | -     | -     |
|                 |      |      | W1                  | HEAT-C       | 1050 | 247   | 290   | 333   | 376   | -     | -     | -     | -     | -     |
|                 |      |      | W1                  | HEAT-D       | 1100 | 273   | 315   | 358   | 402   | -     | -     | -     | -     | -     |
|                 |      |      | W1+W2               | HEAT-A       | 1450 | 504   | 553   | 604   | 656   | -     | -     | -     | -     | -     |
|                 |      |      | W1+W2               | HEAT-B       | 1500 | 544   | 596   | 648   | 702   | -     | -     | -     | -     | -     |
|                 |      |      | W1+W2               | HEAT-C       | 1600 | 630   | 687   | 745   | 804   | -     | -     | -     | -     | -     |
|                 |      |      | W1+W2               | HEAT-D       | 1700 | 723   | 787   | 851   | 916   | -     | -     | -     | -     | -     |
| DNQ060<br>(5.0) | Cool | High | Y1                  | COOL-A       | 1550 | 438   | 480   | 522   | 609   | 696   | 736   | 803   | 866   | 930   |
|                 |      |      | Y1                  | COOL-B       | 1650 | 510   | 554   | 598   | 690   | 782   | 826   | 896   | 963   | 1031  |
|                 |      |      | Y1                  | COOL-C       | 1750 | 589   | 635   | 682   | 778   | 873   | 924   | 995   | 1066  | 1137  |
|                 |      |      | Y1                  | COOL-D       | 2000 | 822   | 875   | 927   | 1027  | 1128  | 1198  | -     | -     | -     |
|                 | Heat | N065 | W1                  | HEAT-A       | 1200 | 251   | 285   | 319   | 382   | 445   | 475   | -     | -     | -     |
|                 |      |      | W1                  | HEAT-B       | 1300 | 295   | 331   | 367   | 438   | 509   | 541   | -     | -     | -     |
|                 |      |      | W1                  | HEAT-C       | 1400 | 346   | 385   | 423   | 501   | 579   | 613   | -     | -     | -     |
|                 |      |      | W1                  | HEAT-D       | 1500 | 405   | 446   | 487   | 572   | 656   | 693   | -     | -     | -     |
|                 |      | N090 | W1                  | HEAT-A       | 1325 | 307   | 344   | 381   | 453   | 526   | 558   | -     | -     | -     |
|                 |      |      | W1                  | HEAT-B       | 1400 | 346   | 385   | 423   | 501   | 579   | 613   | -     | -     | -     |
|                 |      |      | W1                  | HEAT-C       | 1500 | 405   | 446   | 487   | 572   | 656   | 693   | -     | -     | -     |
|                 |      |      | W1                  | HEAT-D       | 1600 | 473   | 516   | 559   | 649   | 738   | 780   | -     | -     | -     |
|                 |      | D090 | W1                  | HEAT-A       | 870  | 165   | 191   | 218   | 246   | 275   | 307   | -     | -     | -     |
|                 |      |      | W1                  | HEAT-B       | 920  | 172   | 200   | 228   | 262   | 296   | 328   | -     | -     | -     |
|                 |      |      | W1                  | HEAT-C       | 985  | 185   | 214   | 243   | 285   | 326   | 357   | -     | -     | -     |
|                 |      |      | W1                  | HEAT-D       | 1050 | 201   | 232   | 263   | 311   | 359   | 389   | -     | -     | -     |
|                 |      |      | W1+W2               | HEAT-A       | 1330 | 309   | 346   | 383   | 456   | 530   | 562   | -     | -     | -     |
|                 |      |      | W1+W2               | HEAT-B       | 1400 | 346   | 385   | 423   | 501   | 579   | 613   | -     | -     | -     |
|                 |      |      | W1+W2               | HEAT-C       | 1500 | 405   | 446   | 487   | 572   | 656   | 693   | -     | -     | -     |
|                 |      |      | W1+W2               | HEAT-D       | 1600 | 473   | 516   | 559   | 649   | 738   | 780   | -     | -     | -     |
|                 |      | N110 | W1                  | HEAT-A       | 1450 | 375   | 414   | 454   | 536   | 617   | 652   | -     | -     | -     |
|                 |      |      | W1                  | HEAT-B       | 1500 | 405   | 446   | 487   | 572   | 656   | 693   | -     | -     | -     |
|                 |      |      | W1                  | HEAT-C       | 1600 | 473   | 516   | 559   | 649   | 738   | 780   | -     | -     | -     |
|                 |      |      | W1                  | HEAT-D       | 1700 | 548   | 594   | 639   | 733   | 827   | 874   | -     | -     | -     |
|                 |      | D110 | W1                  | HEAT-A       | 940  | 176   | 204   | 232   | 269   | 305   | 336   | -     | -     | -     |
|                 |      |      | W1                  | HEAT-B       | 985  | 185   | 214   | 243   | 285   | 326   | 357   | -     | -     | -     |
|                 |      |      | W1                  | HEAT-C       | 1035 | 197   | 227   | 258   | 305   | 351   | 381   | -     | -     | -     |
|                 |      |      | W1                  | HEAT-D       | 1100 | 216   | 248   | 279   | 333   | 386   | 416   | -     | -     | -     |
|                 |      |      | W1+W2               | HEAT-A       | 1450 | 375   | 414   | 454   | 536   | 617   | 652   | -     | -     | -     |
|                 |      |      | W1+W2               | HEAT-B       | 1500 | 405   | 446   | 487   | 572   | 656   | 693   | -     | -     | -     |
|                 |      |      | W1+W2               | HEAT-C       | 1600 | 473   | 516   | 559   | 649   | 738   | 780   | -     | -     | -     |
|                 |      |      | W1+W2               | HEAT-D       | 1700 | 548   | 594   | 639   | 733   | 827   | 874   | -     | -     | -     |

DNY Side Duct Application

| Model (Tons)    | Mode   | Thermostat Input | Speed Tap | CFM    | External Static Pressure (Inch Water Gauge) |       |       |       |       |       |       |       |       |       |
|-----------------|--------|------------------|-----------|--------|---|-------|-------|-------|-------|-------|-------|-------|-------|-------|
|                 |        |                  |           |        | 0.2   | 0.3   | 0.4   | 0.5   | 0.6   | 0.7   | 0.8   | 0.9   | 1.0   |       |
|                 |        |                  |           |        | Watts                                       | Watts | Watts | Watts | Watts | Watts | Watts | Watts | Watts | Watts |
| DNY024<br>(2.0) | Cool   | Low              | Y1        | COOL-A | 600   | 100   | 122   | 145   | 169   | 194   | 221   | 249   | 279   | 310   |
|                 |        |                  | Y1        | COOL-B | 450   | 65    | 81    | 100   | 122   | 147   | 176   | 208   | 243   | 281   |
|                 |        |                  | Y1        | COOL-C | 530   | 81    | 100   | 121   | 145   | 170   | 197   | 226   | 258   | 291   |
|                 |        |                  | Y1        | COOL-D | 680   | 127   | 151   | 176   | 202   | 228   | 256   | 284   | 313   | 342   |
|                 |        | High             | Y1+Y2     | COOL-A | 800   | 177   | 204   | 232   | 261   | 290   | 320   | 350   | 382   | 414   |
|                 |        |                  | Y1+Y2     | COOL-B | 600   | 100   | 122   | 145   | 169   | 194   | 221   | 249   | 279   | 310   |
|                 |        |                  | Y1+Y2     | COOL-C | 700   | 134   | 159   | 184   | 211   | 238   | 265   | 293   | 323   | 352   |
|                 |        |                  | Y1+Y2     | COOL-D | 900   | 229   | 258   | 288   | 319   | 351   | 385   | 420   | 457   | 494   |
|                 | Heat   | D056             | W1        | HEAT-A | 670   | 123   | 147   | 172   | 197   | 224   | -     | -     | -     | -     |
|                 |        |                  | W1        | HEAT-B | 690   | 130   | 155   | 180   | 206   | 233   | -     | -     | -     | -     |
|                 |        |                  | W1        | HEAT-C | 710   | 138   | 163   | 189   | 215   | 242   | -     | -     | -     | -     |
|                 |        |                  | W1        | HEAT-D | 750   | 155   | 181   | 207   | 235   | 262   | -     | -     | -     | -     |
|                 |        |                  | W1+W2     | HEAT-A | 940   | 253   | 281   | 312   | 344   | 378   | -     | -     | -     | -     |
|                 |        |                  | W1+W2     | HEAT-B | 970   | 271   | 300   | 331   | 364   | 400   | -     | -     | -     | -     |
| W1+W2           |        |                  | HEAT-C    | 1000   | 290   | 319   | 351   | 385   | 422   | -     | -     | -     | -     |       |
| W1+W2           |        |                  | HEAT-D    | 1050   | 324   | 353   | 386   | 422   | 461   | -     | -     | -     | -     |       |
| DNY036<br>(3.0) | Cool   | Low              | Y1        | COOL-A | 800   | 200   | 239   | 278   | 317   | 356   | 394   | 432   | 470   | 507   |
|                 |        |                  | Y1        | COOL-B | 700   | 169   | 203   | 237   | 270   | 303   | 336   | 367   | 398   | 429   |
|                 |        |                  | Y1        | COOL-C | 770   | 189   | 227   | 265   | 302   | 339   | 376   | 412   | 448   | 483   |
|                 |        |                  | Y1        | COOL-D | 900   | 243   | 286   | 329   | 373   | 417   | 461   | 505   | 549   | 594   |
|                 |        | High             | Y1+Y2     | COOL-A | 1200  | 439   | 489   | 541   | 595   | 652   | 710   | 771   | 835   | 900   |
|                 |        |                  | Y1+Y2     | COOL-B | 1050  | 328   | 375   | 424   | 474   | 524   | 576   | 629   | 684   | 738   |
|                 |        |                  | Y1+Y2     | COOL-C | 1150  | 399   | 448   | 499   | 552   | 607   | 664   | 722   | 783   | 844   |
|                 |        |                  | Y1+Y2     | COOL-D | 1350  | 576   | 626   | 680   | 737   | 798   | 863   | 932   | 1005  | -     |
|                 | Heat   | D056             | W1        | HEAT-A | 680   | 164   | 197   | 230   | 262   | 294   | -     | -     | -     | -     |
|                 |        |                  | W1        | HEAT-B | 735   | 178   | 215   | 250   | 286   | 321   | -     | -     | -     | -     |
|                 |        |                  | W1        | HEAT-C | 790   | 196   | 235   | 274   | 312   | 350   | -     | -     | -     | -     |
|                 |        |                  | W1        | HEAT-D | 840   | 216   | 257   | 297   | 338   | 379   | -     | -     | -     | -     |
|                 |        |                  | W1+W2     | HEAT-A | 1050  | 328   | 375   | 424   | 474   | 524   | -     | -     | -     | -     |
|                 |        |                  | W1+W2     | HEAT-B | 1140  | 392   | 441   | 491   | 544   | 598   | -     | -     | -     | -     |
|                 |        |                  | W1+W2     | HEAT-C | 1220  | 456   | 506   | 558   | 613   | 670   | -     | -     | -     | -     |
|                 |        |                  | W1+W2     | HEAT-D | 1300  | 528   | 578   | 631   | 687   | 747   | -     | -     | -     | -     |
|                 |        | D072             | W1        | HEAT-A | 790   | 196   | 235   | 274   | 312   | -     | -     | -     | -     | -     |
|                 |        |                  | W1        | HEAT-B | 855   | 222   | 264   | 305   | 347   | -     | -     | -     | -     | -     |
|                 |        |                  | W1        | HEAT-C | 920   | 252   | 296   | 341   | 385   | -     | -     | -     | -     | -     |
|                 |        |                  | W1        | HEAT-D | 975   | 282   | 328   | 374   | 421   | -     | -     | -     | -     | -     |
| W1+W2           | HEAT-A | 1200             | 439       | 489    | 541   | 595   | -     | -     | -     | -     | -     |       |       |       |
| W1+W2           | HEAT-B | 1300             | 528       | 578    | 631   | 687   | -     | -     | -     | -     | -     |       |       |       |
| W1+W2           | HEAT-C | 1400             | 628       | 677    | 731   | 789   | -     | -     | -     | -     | -     |       |       |       |
| W1+W2           | HEAT-D | 1480             | 716       | 764    | 818   | 877   | -     | -     | -     | -     | -     |       |       |       |
| DNY048<br>(4.0) | Cool   | Low              | Y1        | COOL-A | 1030  | 237   | 280   | 323   | 367   | 411   | 455   | 499   | 543   | 588   |
|                 |        |                  | Y1        | COOL-B | 930   | 192   | 237   | 282   | 326   | 369   | 413   | 455   | 497   | 539   |
|                 |        |                  | Y1        | COOL-C | 1070  | 257   | 300   | 343   | 386   | 430   | 475   | 520   | 565   | 611   |
|                 |        |                  | Y1        | COOL-D | 1130  | 289   | 332   | 375   | 419   | 463   | 509   | 555   | 602   | 649   |
|                 |        | High             | Y1+Y2     | COOL-A | 1550  | 586   | 640   | 696   | 752   | 810   | 869   | 929   | 991   | 1053  |
|                 |        |                  | Y1+Y2     | COOL-B | 1400  | 466   | 513   | 561   | 611   | 663   | 715   | 770   | 826   | 882   |
|                 |        |                  | Y1+Y2     | COOL-C | 1600  | 630   | 687   | 745   | 804   | 864   | 926   | 988   | 1052  | 1116  |
|                 |        |                  | Y1+Y2     | COOL-D | 1700  | 723   | 787   | 851   | 916   | 982   | 1049  | 1116  | 1185  | -     |
|                 | Heat   | D090             | W1        | HEAT-A | 870   | 168   | 215   | 261   | 306   | 350   | 393   | -     | -     | -     |
|                 |        |                  | W1        | HEAT-B | 920   | 188   | 233   | 278   | 322   | 366   | 409   | -     | -     | -     |
|                 |        |                  | W1        | HEAT-C | 985   | 216   | 260   | 303   | 347   | 391   | 434   | -     | -     | -     |
|                 |        |                  | W1        | HEAT-D | 1050  | 247   | 290   | 333   | 376   | 420   | 464   | -     | -     | -     |
|                 |        |                  | W1+W2     | HEAT-A | 1330  | 415   | 460   | 506   | 554   | 603   | 653   | -     | -     | -     |
|                 |        |                  | W1+W2     | HEAT-B | 1400  | 466   | 513   | 561   | 611   | 663   | 715   | -     | -     | -     |
|                 |        |                  | W1+W2     | HEAT-C | 1500  | 544   | 596   | 648   | 702   | 758   | 815   | -     | -     | -     |
|                 |        |                  | W1+W2     | HEAT-D | 1600  | 630   | 687   | 745   | 804   | 864   | 926   | -     | -     | -     |
|                 |        | D110             | W1        | HEAT-A | 940   | 196   | 241   | 285   | 329   | -     | -     | -     | -     | -     |
|                 |        |                  | W1        | HEAT-B | 970   | 209   | 253   | 297   | 341   | -     | -     | -     | -     | -     |
|                 |        |                  | W1        | HEAT-C | 1050  | 247   | 290   | 333   | 376   | -     | -     | -     | -     | -     |
|                 |        |                  | W1        | HEAT-D | 1100  | 273   | 315   | 358   | 402   | -     | -     | -     | -     | -     |
| W1+W2           | HEAT-A | 1450             | 504       | 553    | 604   | 656   | -     | -     | -     | -     | -     |       |       |       |
| W1+W2           | HEAT-B | 1500             | 544       | 596    | 648   | 702   | -     | -     | -     | -     | -     |       |       |       |
| W1+W2           | HEAT-C | 1600             | 630       | 687    | 745   | 804   | -     | -     | -     | -     | -     |       |       |       |
| W1+W2           | HEAT-D | 1700             | 723       | 787    | 851   | 916   | -     | -     | -     | -     | -     |       |       |       |

**DNY Side Duct Application (Continued)**

| Model<br>(Tons) | Mode   | Thermostat<br>Input | Speed<br>Tap | CFM    | External Static Pressure (Inch Water Gauge) |       |       |       |       |       |       |       |       |      |
|-----------------|--------|---------------------|--------------|--------|---|-------|-------|-------|-------|-------|-------|-------|-------|------|
|                 |        |                     |              |        | 0.2   | 0.3   | 0.4   | 0.5   | 0.6   | 0.7   | 0.8   | 0.9   | 1.0   |      |
|                 |        |                     |              |        | Watts                                       | Watts | Watts | Watts | Watts | Watts | Watts | Watts | Watts |      |
| DNY060<br>(5.0) | Cool   | Low                 | Y1           | COOL-A | 1200  | 330   | 373   | 416   | 461   | 507   | 554   | 602   | 651   | 700  |
|                 |        |                     | Y1           | COOL-B | 1060  | 252   | 295   | 338   | 381   | 425   | 470   | 514   | 559   | 605  |
|                 |        |                     | Y1           | COOL-C | 1130  | 289   | 332   | 375   | 419   | 463   | 509   | 555   | 602   | 649  |
|                 |        |                     | Y1           | COOL-D | 1270  | 374   | 418   | 463   | 509   | 556   | 605   | 655   | 706   | 758  |
|                 |        | High                | Y1+Y2        | COOL-A | 1700  | 723   | 787   | 851   | 916   | 982   | 1049  | 1116  | 1185  | 1253 |
|                 |        |                     | Y1+Y2        | COOL-B | 1500  | 544   | 596   | 648   | 702   | 758   | 815   | 873   | 932   | 993  |
|                 |        |                     | Y1+Y2        | COOL-C | 1600  | 630   | 687   | 745   | 804   | 864   | 926   | 988   | 1052  | 1116 |
|                 |        |                     | Y1+Y2        | COOL-D | 1800  | 823   | 895   | 967   | 1039  | 1112  | 1185  | 1257  | -     | -    |
|                 | Heat   | D090                | W1           | HEAT-A | 870   | 168   | 215   | 261   | 306   | 350   | 393   | -     | -     | -    |
|                 |        |                     | W1           | HEAT-B | 920   | 188   | 233   | 278   | 322   | 366   | 409   | -     | -     | -    |
|                 |        |                     | W1           | HEAT-C | 985   | 216   | 260   | 303   | 347   | 391   | 434   | -     | -     | -    |
|                 |        |                     | W1           | HEAT-D | 1050  | 247   | 290   | 333   | 376   | 420   | 464   | -     | -     | -    |
|                 |        |                     | W1+W2        | HEAT-A | 1330  | 415   | 460   | 506   | 554   | 603   | 653   | -     | -     | -    |
|                 |        |                     | W1+W2        | HEAT-B | 1400  | 466   | 513   | 561   | 611   | 663   | 715   | -     | -     | -    |
|                 |        |                     | W1+W2        | HEAT-C | 1500  | 544   | 596   | 648   | 702   | 758   | 815   | -     | -     | -    |
|                 |        |                     | W1+W2        | HEAT-D | 1600  | 630   | 687   | 745   | 804   | 864   | 926   | -     | -     | -    |
|                 |        | D110                | W1           | HEAT-A | 940   | 196   | 241   | 285   | 329   | 373   | 416   | -     | -     | -    |
|                 |        |                     | W1           | HEAT-B | 985   | 216   | 260   | 303   | 347   | 391   | 434   | -     | -     | -    |
|                 |        |                     | W1           | HEAT-C | 1035  | 239   | 282   | 326   | 369   | 413   | 457   | -     | -     | -    |
|                 |        |                     | W1           | HEAT-D | 1100  | 273   | 315   | 358   | 402   | 446   | 491   | -     | -     | -    |
| W1+W2           | HEAT-A | 1450                | 504          | 553    | 604   | 656   | 709   | 763   | -     | -     | -     |       |       |      |
| W1+W2           | HEAT-B | 1500                | 544          | 596    | 648   | 702   | 758   | 815   | -     | -     | -     |       |       |      |
| W1+W2           | HEAT-C | 1600                | 630          | 687    | 745   | 804   | 864   | 926   | -     | -     | -     |       |       |      |
| W1+W2           | HEAT-D | 1700                | 723          | 787    | 851   | 916   | 982   | 1049  | -     | -     | -     |       |       |      |

**DNY Bottom Duct Application**

| Model<br>(Tons) | Mode   | Thermostat<br>Input | Speed<br>Tap | CFM    | External Static Pressure (Inch Water Gauge) |       |       |       |       |       |       |       |       |     |
|-----------------|--------|---------------------|--------------|--------|---|-------|-------|-------|-------|-------|-------|-------|-------|-----|
|                 |        |                     |              |        | 0.2   | 0.3   | 0.4   | 0.5   | 0.6   | 0.7   | 0.8   | 0.9   | 1.0   |     |
|                 |        |                     |              |        | Watts                                       | Watts | Watts | Watts | Watts | Watts | Watts | Watts | Watts |     |
| DNY024<br>(2.0) | Cool   | Low                 | Y1           | COOL-A | 600   | 100   | 122   | 145   | 169   | 194   | 221   | 249   | 279   | 310 |
|                 |        |                     | Y1           | COOL-B | 450   | 65    | 81    | 100   | 122   | 147   | 176   | 208   | 243   | 281 |
|                 |        |                     | Y1           | COOL-C | 530   | 81    | 100   | 121   | 145   | 170   | 197   | 226   | 258   | 291 |
|                 |        |                     | Y1           | COOL-D | 680   | 127   | 151   | 176   | 202   | 228   | 256   | 284   | 313   | 342 |
|                 |        | High                | Y1+Y2        | COOL-A | 800   | 177   | 204   | 232   | 261   | 290   | 320   | 350   | 382   | 414 |
|                 |        |                     | Y1+Y2        | COOL-B | 600   | 100   | 122   | 145   | 169   | 194   | 221   | 249   | 279   | 310 |
|                 |        |                     | Y1+Y2        | COOL-C | 700   | 134   | 159   | 184   | 211   | 238   | 265   | 293   | 323   | 352 |
|                 |        |                     | Y1+Y2        | COOL-D | 900   | 229   | 258   | 288   | 319   | 351   | 385   | 420   | 457   | 494 |
|                 | Heat   | D056                | W1           | HEAT-A | 670   | 123   | 147   | 172   | 197   | 224   | -     | -     | -     | -   |
|                 |        |                     | W1           | HEAT-B | 690   | 130   | 155   | 180   | 206   | 233   | -     | -     | -     | -   |
|                 |        |                     | W1           | HEAT-C | 710   | 138   | 163   | 189   | 215   | 242   | -     | -     | -     | -   |
|                 |        |                     | W1           | HEAT-D | 750   | 155   | 181   | 207   | 235   | 262   | -     | -     | -     | -   |
| W1+W2           | HEAT-A |                     | 940          | 253    | 281   | 312   | 344   | 378   | -     | -     | -     | -     |       |     |
| W1+W2           | HEAT-B |                     | 970          | 271    | 300   | 331   | 364   | 400   | -     | -     | -     | -     |       |     |
| W1+W2           | HEAT-C |                     | 1000         | 290    | 319   | 351   | 385   | 422   | -     | -     | -     | -     |       |     |
| W1+W2           | HEAT-D |                     | 1050         | 324    | 353   | 386   | 422   | 461   | -     | -     | -     | -     |       |     |
| DNY036<br>(3.0) | Cool   | Low                 | Y1           | COOL-A | 800   | 200   | 239   | 278   | 317   | 356   | 394   | 432   | 470   | 507 |
|                 |        |                     | Y1           | COOL-B | 700   | 169   | 203   | 237   | 270   | 303   | 336   | 367   | 398   | 429 |
|                 |        |                     | Y1           | COOL-C | 770   | 189   | 227   | 265   | 302   | 339   | 376   | 412   | 448   | 483 |
|                 |        |                     | Y1           | COOL-D | 900   | 243   | 286   | 329   | 373   | 417   | 461   | 505   | 549   | 594 |
|                 |        | High                | Y1+Y2        | COOL-A | 1200  | 439   | 489   | 541   | 595   | 652   | 710   | 771   | 835   | 900 |
|                 |        |                     | Y1+Y2        | COOL-B | 1050  | 328   | 375   | 424   | 474   | 524   | 576   | 629   | 684   | 738 |
|                 |        |                     | Y1+Y2        | COOL-C | 1150  | 399   | 448   | 499   | 552   | 607   | 664   | 722   | 783   | 844 |
|                 |        |                     | Y1+Y2        | COOL-D | 1350  | 576   | 626   | 680   | 737   | 798   | 863   | 932   | 1005  | -   |
|                 | Heat   | D056                | W1           | HEAT-A | 680   | 164   | 197   | 230   | 262   | 294   | -     | -     | -     | -   |
|                 |        |                     | W1           | HEAT-B | 735   | 178   | 215   | 250   | 286   | 321   | -     | -     | -     | -   |
|                 |        |                     | W1           | HEAT-C | 790   | 196   | 235   | 274   | 312   | 350   | -     | -     | -     | -   |
|                 |        |                     | W1           | HEAT-D | 840   | 216   | 257   | 297   | 338   | 379   | -     | -     | -     | -   |
|                 |        |                     | W1+W2        | HEAT-A | 1050  | 328   | 375   | 424   | 474   | 524   | -     | -     | -     | -   |
|                 |        |                     | W1+W2        | HEAT-B | 1140  | 392   | 441   | 491   | 544   | 598   | -     | -     | -     | -   |
|                 |        |                     | W1+W2        | HEAT-C | 1220  | 456   | 506   | 558   | 613   | 670   | -     | -     | -     | -   |
|                 |        |                     | W1+W2        | HEAT-D | 1300  | 528   | 578   | 631   | 687   | 747   | -     | -     | -     | -   |
| D072            | W1     | HEAT-A              | 790          | 196    | 235   | 274   | 312   | -     | -     | -     | -     | -     |       |     |
|                 | W1     | HEAT-B              | 855          | 222    | 264   | 305   | 347   | -     | -     | -     | -     | -     |       |     |
|                 | W1     | HEAT-C              | 920          | 252    | 296   | 341   | 385   | -     | -     | -     | -     | -     |       |     |
|                 | W1     | HEAT-D              | 975          | 282    | 328   | 374   | 421   | -     | -     | -     | -     | -     |       |     |
|                 | W1+W2  | HEAT-A              | 1200         | 439    | 489   | 541   | 595   | -     | -     | -     | -     | -     |       |     |
|                 | W1+W2  | HEAT-B              | 1300         | 528    | 578   | 631   | 687   | -     | -     | -     | -     | -     |       |     |
|                 | W1+W2  | HEAT-C              | 1400         | 628    | 677   | 731   | 789   | -     | -     | -     | -     | -     |       |     |
|                 | W1+W2  | HEAT-D              | 1480         | 716    | 764   | 818   | 877   | -     | -     | -     | -     | -     |       |     |



## DNY Bottom Duct Application (Continued)

| Model<br>(Tons) | Mode | Thermostat<br>Input | Speed<br>Tap | CFM    | External Static Pressure (Inch Water Gauge) |       |       |       |       |       |       |       |       |      |
|-----------------|------|---------------------|--------------|--------|---|-------|-------|-------|-------|-------|-------|-------|-------|------|
|                 |      |                     |              |        | 0.2   | 0.3   | 0.4   | 0.5   | 0.6   | 0.7   | 0.8   | 0.9   | 1.0   |      |
|                 |      |                     |              |        | Watts                                       | Watts | Watts | Watts | Watts | Watts | Watts | Watts | Watts |      |
| DNY048<br>(4.0) | Cool | Low                 | Y1           | COOL-A | 1030  | 237   | 280   | 323   | 367   | 411   | 455   | 499   | 543   | 588  |
|                 |      |                     | Y1           | COOL-B | 930   | 192   | 237   | 282   | 326   | 369   | 413   | 455   | 497   | 539  |
|                 |      |                     | Y1           | COOL-C | 1070  | 257   | 300   | 343   | 386   | 430   | 475   | 520   | 565   | 611  |
|                 |      |                     | Y1           | COOL-D | 1130  | 289   | 332   | 375   | 419   | 463   | 509   | 555   | 602   | 649  |
|                 |      | High                | Y1+Y2        | COOL-A | 1550  | 586   | 640   | 696   | 752   | 810   | 869   | 929   | 991   | 1053 |
|                 |      |                     | Y1+Y2        | COOL-B | 1400  | 466   | 513   | 561   | 611   | 663   | 715   | 770   | 826   | 882  |
|                 |      |                     | Y1+Y2        | COOL-C | 1600  | 630   | 687   | 745   | 804   | 864   | 926   | 988   | 1052  | 1116 |
|                 |      |                     | Y1+Y2        | COOL-D | 1700  | 723   | 787   | 851   | 916   | 982   | 1049  | 1116  | 1185  | -    |
|                 | Heat | D090                | W1           | HEAT-A | 870   | 168   | 215   | 261   | 306   | 350   | 393   | -     | -     | -    |
|                 |      |                     | W1           | HEAT-B | 920   | 188   | 233   | 278   | 322   | 366   | 409   | -     | -     | -    |
|                 |      |                     | W1           | HEAT-C | 985   | 216   | 260   | 303   | 347   | 391   | 434   | -     | -     | -    |
|                 |      |                     | W1           | HEAT-D | 1050  | 247   | 290   | 333   | 376   | 420   | 464   | -     | -     | -    |
|                 |      |                     | W1+W2        | HEAT-A | 1330  | 415   | 460   | 506   | 554   | 603   | 653   | -     | -     | -    |
|                 |      |                     | W1+W2        | HEAT-B | 1400  | 466   | 513   | 561   | 611   | 663   | 715   | -     | -     | -    |
|                 |      |                     | W1+W2        | HEAT-C | 1500  | 544   | 596   | 648   | 702   | 758   | 815   | -     | -     | -    |
|                 |      |                     | W1+W2        | HEAT-D | 1600  | 630   | 687   | 745   | 804   | 864   | 926   | -     | -     | -    |
|                 |      | D110                | W1           | HEAT-A | 940   | 196   | 241   | 285   | 329   | -     | -     | -     | -     | -    |
|                 |      |                     | W1           | HEAT-B | 970   | 209   | 253   | 297   | 341   | -     | -     | -     | -     | -    |
|                 |      |                     | W1           | HEAT-C | 1050  | 247   | 290   | 333   | 376   | -     | -     | -     | -     | -    |
|                 |      |                     | W1           | HEAT-D | 1100  | 273   | 315   | 358   | 402   | -     | -     | -     | -     | -    |
|                 |      |                     | W1+W2        | HEAT-A | 1450  | 504   | 553   | 604   | 656   | -     | -     | -     | -     | -    |
|                 |      |                     | W1+W2        | HEAT-B | 1500  | 544   | 596   | 648   | 702   | -     | -     | -     | -     | -    |
|                 |      |                     | W1+W2        | HEAT-C | 1600  | 630   | 687   | 745   | 804   | -     | -     | -     | -     | -    |
|                 |      |                     | W1+W2        | HEAT-D | 1700  | 723   | 787   | 851   | 916   | -     | -     | -     | -     | -    |
| DNY060<br>(5.0) | Cool | Low                 | Y1           | COOL-A | 1200  | 330   | 373   | 416   | 461   | 507   | 554   | 602   | 651   | 700  |
|                 |      |                     | Y1           | COOL-B | 1060  | 252   | 295   | 338   | 381   | 425   | 470   | 514   | 559   | 605  |
|                 |      |                     | Y1           | COOL-C | 1130  | 289   | 332   | 375   | 419   | 463   | 509   | 555   | 602   | 649  |
|                 |      |                     | Y1           | COOL-D | 1270  | 374   | 418   | 463   | 509   | 556   | 605   | 655   | 706   | 758  |
|                 |      | High                | Y1+Y2        | COOL-A | 1700  | 723   | 787   | 851   | 916   | 982   | 1049  | 1116  | 1185  | 1253 |
|                 |      |                     | Y1+Y2        | COOL-B | 1500  | 544   | 596   | 648   | 702   | 758   | 815   | 873   | 932   | 993  |
|                 |      |                     | Y1+Y2        | COOL-C | 1600  | 630   | 687   | 745   | 804   | 864   | 926   | 988   | 1052  | 1116 |
|                 |      |                     | Y1+Y2        | COOL-D | 1800  | 823   | 895   | 967   | 1039  | 1112  | 1185  | 1257  | -     | -    |
|                 | Heat | D090                | W1           | HEAT-A | 870   | 168   | 215   | 261   | 306   | 350   | 393   | -     | -     | -    |
|                 |      |                     | W1           | HEAT-B | 920   | 188   | 233   | 278   | 322   | 366   | 409   | -     | -     | -    |
|                 |      |                     | W1           | HEAT-C | 985   | 216   | 260   | 303   | 347   | 391   | 434   | -     | -     | -    |
|                 |      |                     | W1           | HEAT-D | 1050  | 247   | 290   | 333   | 376   | 420   | 464   | -     | -     | -    |
|                 |      |                     | W1+W2        | HEAT-A | 1330  | 415   | 460   | 506   | 554   | 603   | 653   | -     | -     | -    |
|                 |      |                     | W1+W2        | HEAT-B | 1400  | 466   | 513   | 561   | 611   | 663   | 715   | -     | -     | -    |
|                 |      |                     | W1+W2        | HEAT-C | 1500  | 544   | 596   | 648   | 702   | 758   | 815   | -     | -     | -    |
|                 |      |                     | W1+W2        | HEAT-D | 1600  | 630   | 687   | 745   | 804   | 864   | 926   | -     | -     | -    |
|                 |      | D110                | W1           | HEAT-A | 940   | 196   | 241   | 285   | 329   | 373   | 416   | -     | -     | -    |
|                 |      |                     | W1           | HEAT-B | 985   | 216   | 260   | 303   | 347   | 391   | 434   | -     | -     | -    |
|                 |      |                     | W1           | HEAT-C | 1035  | 239   | 282   | 326   | 369   | 413   | 457   | -     | -     | -    |
|                 |      |                     | W1           | HEAT-D | 1100  | 273   | 315   | 358   | 402   | 446   | 491   | -     | -     | -    |
|                 |      |                     | W1+W2        | HEAT-A | 1450  | 504   | 553   | 604   | 656   | 709   | 763   | -     | -     | -    |
|                 |      |                     | W1+W2        | HEAT-B | 1500  | 544   | 596   | 648   | 702   | 758   | 815   | -     | -     | -    |
|                 |      |                     | W1+W2        | HEAT-C | 1600  | 630   | 687   | 745   | 804   | 864   | 926   | -     | -     | -    |
|                 |      |                     | W1+W2        | HEAT-D | 1700  | 723   | 787   | 851   | 916   | 982   | 1049  | -     | -     | -    |

**DNX Side Duct Application**

| Size (Tons)     | Mode |      | Thermostat Input | Speed Tap | CFM  | External Static Pressure (Inch Water Gauge) |       |       |       |       |       |       |       |     |
|-----------------|------|------|------------------|-----------|------|---|-------|-------|-------|-------|-------|-------|-------|-----|
|                 |      |      |                  |           |      | 0.2   | 0.3   | 0.4   | 0.5   | 0.6   | 0.7   | 0.8   | 0.9   | 1.0 |
|                 |      |      |                  |           |      | Watts                                       | Watts | Watts | Watts | Watts | Watts | Watts | Watts |     |
| DNX024<br>(2.0) | Cool | Low  | Y1               | COOL-A    | 600  | 100   | 122   | 145   | 169   | 194   | 221   | 249   | 279   | 310 |
|                 |      |      | Y1               | COOL-B    | 450  | 65  | 81    | 100   | 122   | 147   | 176   | 208   | 243   | 281 |
|                 |      |      | Y1               | COOL-C    | 530  | 81  | 100   | 121   | 145   | 170   | 197   | 226   | 258   | 291 |
|                 |      |      | Y1               | COOL-D    | 680  | 127   | 151   | 176   | 202   | 228   | 256   | 284   | 313   | 342 |
|                 |      | High | Y1+Y2            | COOL-A    | 800  | 177   | 204   | 232   | 261   | 290   | 320   | 350   | 382   | 414 |
|                 |      |      | Y1+Y2            | COOL-B    | 600  | 100   | 122   | 145   | 169   | 194   | 221   | 249   | 279   | 310 |
|                 |      |      | Y1+Y2            | COOL-C    | 700  | 134   | 159   | 184   | 211   | 238   | 265   | 293   | 323   | 352 |
|                 |      |      | Y1+Y2            | COOL-D    | 900  | 229   | 258   | 288   | 319   | 351   | 385   | 420   | 457   | 494 |
|                 | Heat | N036 | W1               | HEAT-A    | 670  | 123   | 147   | 172   | 197   | 224   | 251   | -     | -     | -   |
|                 |      |      | W1               | HEAT-B    | 730  | 146   | 172   | 198   | 225   | 252   | 280   | -     | -     | -   |
|                 |      |      | W1               | HEAT-C    | 790  | 173   | 199   | 227   | 255   | 284   | 314   | -     | -     | -   |
|                 |      |      | W1               | HEAT-D    | 850  | 202   | 230   | 259   | 289   | 319   | 351   | -     | -     | -   |
|                 |      | N056 | W1               | HEAT-A    | 940  | 253   | 281   | 312   | 344   | 378   | -     | -     | -     | -   |
|                 |      |      | W1               | HEAT-B    | 975  | 274   | 303   | 334   | 368   | 403   | -     | -     | -     | -   |
|                 |      |      | W1               | HEAT-C    | 1000 | 290   | 319   | 351   | 385   | 422   | -     | -     | -     | -   |
|                 |      |      | W1               | HEAT-D    | 1050 | 324   | 353   | 386   | 422   | 461   | -     | -     | -     | -   |
|                 |      | D056 | W1               | HEAT-A    | 670  | 123   | 147   | 172   | 197   | 224   | -     | -     | -     | -   |
|                 |      |      | W1               | HEAT-B    | 690  | 130   | 155   | 180   | 206   | 233   | -     | -     | -     | -   |
|                 |      |      | W1               | HEAT-C    | 710  | 138   | 163   | 189   | 215   | 242   | -     | -     | -     | -   |
|                 |      |      | W1               | HEAT-D    | 750  | 155   | 181   | 207   | 235   | 262   | -     | -     | -     | -   |
|                 |      |      | W1+W2            | HEAT-A    | 940  | 253   | 281   | 312   | 344   | 378   | -     | -     | -     | -   |
|                 |      |      | W1+W2            | HEAT-B    | 970  | 271   | 300   | 331   | 364   | 400   | -     | -     | -     | -   |
|                 |      |      | W1+W2            | HEAT-C    | 1000 | 290   | 319   | 351   | 385   | 422   | -     | -     | -     | -   |
|                 |      |      | W1+W2            | HEAT-D    | 1050 | 324   | 353   | 386   | 422   | 461   | -     | -     | -     | -   |
| DNX036<br>(3.0) | Cool | Low  | Y1               | COOL-A    | 900  | 198   | 233   | 272   | 313   | 358   | 406   | 458   | 512   | 569 |
|                 |      |      | Y1               | COOL-B    | 760  | 166   | 190   | 222   | 262   | 310   | 366   | 431   | 503   | 584 |
|                 |      |      | Y1               | COOL-C    | 830  | 180   | 210   | 245   | 286   | 332   | 384   | 441   | 503   | 571 |
|                 |      |      | Y1               | COOL-D    | 970  | 221   | 260   | 302   | 344   | 388   | 434   | 481   | 530   | 579 |
|                 |      | High | Y1+Y2            | COOL-A    | 1250 | 361   | 408   | 454   | 501   | 548   | 594   | 640   | 687   | 733 |
|                 |      |      | Y1+Y2            | COOL-B    | 1050 | 253   | 296   | 340   | 384   | 428   | 472   | 516   | 561   | 605 |
|                 |      |      | Y1+Y2            | COOL-C    | 1150 | 302   | 348   | 394   | 439   | 484   | 528   | 571   | 615   | 657 |
|                 |      |      | Y1+Y2            | COOL-D    | 1350 | 429   | 475   | 522   | 570   | 620   | 671   | 723   | 777   | 831 |
|                 | Heat | N065 | W1               | HEAT-A    | 1200 | 330   | 377   | 423   | 469   | 515   | 560   | -     | -     | -   |
|                 |      |      | W1               | HEAT-B    | 1300 | 394   | 440   | 487   | 535   | 583   | 631   | -     | -     | -   |
|                 |      |      | W1               | HEAT-C    | 1400 | 467   | 511   | 558   | 607   | 659   | 713   | -     | -     | -   |
|                 |      |      | W1               | HEAT-D    | 1500 | 550   | 590   | 635   | 686   | 743   | 804   | -     | -     | -   |
|                 |      | N090 | W1               | HEAT-A    | 1150 | 302   | 348   | 394   | 439   | 484   | 528   | -     | -     | -   |
|                 |      |      | W1               | HEAT-B    | 1225 | 345   | 392   | 439   | 485   | 531   | 577   | -     | -     | -   |
|                 |      |      | W1               | HEAT-C    | 1275 | 377   | 424   | 471   | 518   | 565   | 612   | -     | -     | -   |
|                 |      |      | W1               | HEAT-D    | 1350 | 429   | 475   | 522   | 570   | 620   | 671   | -     | -     | -   |
|                 |      | D090 | W1               | HEAT-A    | 740  | 163   | 185   | 216   | 255   | 304   | 362   | -     | -     | -   |
|                 |      |      | W1               | HEAT-B    | 785  | 170   | 196   | 230   | 270   | 317   | 372   | -     | -     | -   |
|                 |      |      | W1               | HEAT-C    | 825  | 178   | 208   | 243   | 284   | 330   | 382   | -     | -     | -   |
|                 |      |      | W1               | HEAT-D    | 870  | 189   | 223   | 260   | 301   | 347   | 396   | -     | -     | -   |
|                 |      |      | W1+W2            | HEAT-A    | 1150 | 302   | 348   | 394   | 439   | 484   | 528   | -     | -     | -   |
|                 |      |      | W1+W2            | HEAT-B    | 1220 | 342   | 389   | 436   | 482   | 528   | 573   | -     | -     | -   |
|                 |      |      | W1+W2            | HEAT-C    | 1280 | 380   | 427   | 474   | 521   | 568   | 616   | -     | -     | -   |
|                 |      |      | W1+W2            | HEAT-D    | 1350 | 429   | 475   | 522   | 570   | 620   | 671   | -     | -     | -   |

## DNX Side Duct Application (Continued)

| Size<br>(Tons)  | Mode  | Thermostat<br>Input | Speed<br>Tap | CFM    | External Static Pressure (Inch Water Gauge) |       |       |       |       |       |       |       |       |      |
|-----------------|-------|---------------------|--------------|--------|---|-------|-------|-------|-------|-------|-------|-------|-------|------|
|                 |       |                     |              |        | 0.2   | 0.3   | 0.4   | 0.5   | 0.6   | 0.7   | 0.8   | 0.9   | 1.0   |      |
|                 |       |                     |              |        | Watts                                       | Watts | Watts | Watts | Watts | Watts | Watts | Watts | Watts |      |
| DNX048<br>(4.0) | Cool  | Low                 | Y1           | COOL-A | 1030  | 237   | 280   | 323   | 367   | 411   | 455   | 499   | 543   | 588  |
|                 |       |                     | Y1           | COOL-B | 930   | 192   | 237   | 282   | 326   | 369   | 413   | 455   | 497   | 539  |
|                 |       |                     | Y1           | COOL-C | 1070  | 257   | 300   | 343   | 386   | 430   | 475   | 520   | 565   | 611  |
|                 |       |                     | Y1           | COOL-D | 1130  | 289   | 332   | 375   | 419   | 463   | 509   | 555   | 602   | 649  |
|                 |       | High                | Y1+Y2        | COOL-A | 1550  | 586   | 640   | 696   | 752   | 810   | 869   | 929   | 991   | 1053 |
|                 |       |                     | Y1+Y2        | COOL-B | 1400  | 466   | 513   | 561   | 611   | 663   | 715   | 770   | 826   | 882  |
|                 |       |                     | Y1+Y2        | COOL-C | 1600  | 630   | 687   | 745   | 804   | 864   | 926   | 988   | 1052  | 1116 |
|                 |       |                     | Y1+Y2        | COOL-D | 1700  | 723   | 787   | 851   | 916   | 982   | 1049  | 1116  | 1185  | -    |
|                 | Heat  | N065                | W1           | HEAT-A | 1200  | 330   | 373   | 416   | 461   | 507   | 554   | -     | -     | -    |
|                 |       |                     | W1           | HEAT-B | 1300  | 394   | 439   | 484   | 531   | 579   | 629   | -     | -     | -    |
|                 |       |                     | W1           | HEAT-C | 1400  | 466   | 513   | 561   | 611   | 663   | 715   | -     | -     | -    |
|                 |       |                     | W1           | HEAT-D | 1500  | 544   | 596   | 648   | 702   | 758   | 815   | -     | -     | -    |
|                 |       | N090                | W1           | HEAT-A | 1325  | 412   | 456   | 503   | 550   | 599   | 649   | -     | -     | -    |
|                 |       |                     | W1           | HEAT-B | 1400  | 466   | 513   | 561   | 611   | 663   | 715   | -     | -     | -    |
|                 |       |                     | W1           | HEAT-C | 1500  | 544   | 596   | 648   | 702   | 758   | 815   | -     | -     | -    |
|                 |       |                     | W1           | HEAT-D | 1600  | 630   | 687   | 745   | 804   | 864   | 926   | -     | -     | -    |
|                 |       | D090                | W1           | HEAT-A | 870   | 168   | 215   | 261   | 306   | 350   | 393   | -     | -     | -    |
|                 |       |                     | W1           | HEAT-B | 920   | 188   | 233   | 278   | 322   | 366   | 409   | -     | -     | -    |
|                 |       |                     | W1           | HEAT-C | 985   | 216   | 260   | 303   | 347   | 391   | 434   | -     | -     | -    |
|                 |       |                     | W1           | HEAT-D | 1050  | 247   | 290   | 333   | 376   | 420   | 464   | -     | -     | -    |
|                 |       |                     | W1+W2        | HEAT-A | 1330  | 415   | 460   | 506   | 554   | 603   | 653   | -     | -     | -    |
|                 |       |                     | W1+W2        | HEAT-B | 1400  | 466   | 513   | 561   | 611   | 663   | 715   | -     | -     | -    |
|                 |       |                     | W1+W2        | HEAT-C | 1500  | 544   | 596   | 648   | 702   | 758   | 815   | -     | -     | -    |
|                 |       |                     | W1+W2        | HEAT-D | 1600  | 630   | 687   | 745   | 804   | 864   | 926   | -     | -     | -    |
|                 |       | N110                | W1           | HEAT-A | 1450  | 504   | 553   | 604   | 656   | -     | -     | -     | -     | -    |
|                 |       |                     | W1           | HEAT-B | 1500  | 544   | 596   | 648   | 702   | -     | -     | -     | -     | -    |
|                 |       |                     | W1           | HEAT-C | 1600  | 630   | 687   | 745   | 804   | -     | -     | -     | -     | -    |
|                 |       |                     | W1           | HEAT-D | 1700  | 723   | 787   | 851   | 916   | -     | -     | -     | -     | -    |
| D110            | W1    | HEAT-A              | 940          | 196    | 241   | 285   | 329   | -     | -     | -     | -     | -     |       |      |
|                 | W1    | HEAT-B              | 970          | 209    | 253   | 297   | 341   | -     | -     | -     | -     | -     |       |      |
|                 | W1    | HEAT-C              | 1050         | 247    | 290   | 333   | 376   | -     | -     | -     | -     | -     |       |      |
|                 | W1    | HEAT-D              | 1100         | 273    | 315   | 358   | 402   | -     | -     | -     | -     | -     |       |      |
|                 | W1+W2 | HEAT-A              | 1450         | 504    | 553   | 604   | 656   | -     | -     | -     | -     | -     |       |      |
|                 | W1+W2 | HEAT-B              | 1500         | 544    | 596   | 648   | 702   | -     | -     | -     | -     | -     |       |      |
|                 | W1+W2 | HEAT-C              | 1600         | 630    | 687   | 745   | 804   | -     | -     | -     | -     | -     |       |      |
|                 | W1+W2 | HEAT-D              | 1700         | 723    | 787   | 851   | 916   | -     | -     | -     | -     | -     |       |      |

**DNX Bottom Duct Application**

| Model<br>(Tons) | Mode |      | Thermostat<br>Input | Speed<br>Tap | CFM  | External Static Pressure (Inch Water Gauge) |       |       |       |       |       |       |       |       |
|-----------------|------|------|---------------------|--------------|------|---|-------|-------|-------|-------|-------|-------|-------|-------|
|                 |      |      |                     |              |      | 0.2   | 0.3   | 0.4   | 0.5   | 0.6   | 0.7   | 0.8   | 0.9   | 1.0   |
|                 |      |      |                     |              |      | Watts                                       | Watts | Watts | Watts | Watts | Watts | Watts | Watts | Watts |
| DNX024<br>(2.0) | Cool | Low  | Y1                  | COOL-A       | 600  | 100   | 122   | 145   | 169   | 194   | 221   | 249   | 279   | 310   |
|                 |      |      | Y1                  | COOL-B       | 450  | 65  | 81    | 100   | 122   | 147   | 176   | 208   | 243   | 281   |
|                 |      |      | Y1                  | COOL-C       | 530  | 81  | 100   | 121   | 145   | 170   | 197   | 226   | 258   | 291   |
|                 |      |      | Y1                  | COOL-D       | 680  | 127   | 151   | 176   | 202   | 228   | 256   | 284   | 313   | 342   |
|                 |      | High | Y1+Y2               | COOL-A       | 800  | 177   | 204   | 232   | 261   | 290   | 320   | 350   | 382   | 414   |
|                 |      |      | Y1+Y2               | COOL-B       | 600  | 100   | 122   | 145   | 169   | 194   | 221   | 249   | 279   | 310   |
|                 |      |      | Y1+Y2               | COOL-C       | 700  | 134   | 159   | 184   | 211   | 238   | 265   | 293   | 323   | 352   |
|                 |      |      | Y1+Y2               | COOL-D       | 900  | 229   | 258   | 288   | 319   | 351   | 385   | 420   | 457   | 494   |
|                 | Heat | N036 | W1                  | HEAT-A       | 670  | 123   | 147   | 172   | 197   | 224   | 251   | -     | -     | -     |
|                 |      |      | W1                  | HEAT-B       | 730  | 146   | 172   | 198   | 225   | 252   | 280   | -     | -     | -     |
|                 |      |      | W1                  | HEAT-C       | 790  | 173   | 199   | 227   | 255   | 284   | 314   | -     | -     | -     |
|                 |      |      | W1                  | HEAT-D       | 850  | 202   | 230   | 259   | 289   | 319   | 351   | -     | -     | -     |
|                 |      | N056 | W1                  | HEAT-A       | 940  | 253   | 281   | 312   | 344   | 378   | -     | -     | -     | -     |
|                 |      |      | W1                  | HEAT-B       | 975  | 274   | 303   | 334   | 368   | 403   | -     | -     | -     | -     |
|                 |      |      | W1                  | HEAT-C       | 1000 | 290   | 319   | 351   | 385   | 422   | -     | -     | -     | -     |
|                 |      |      | W1                  | HEAT-D       | 1050 | 324   | 353   | 386   | 422   | 461   | -     | -     | -     | -     |
|                 |      | D056 | W1                  | HEAT-A       | 670  | 123   | 147   | 172   | 197   | 224   | -     | -     | -     | -     |
|                 |      |      | W1                  | HEAT-B       | 690  | 130   | 155   | 180   | 206   | 233   | -     | -     | -     | -     |
|                 |      |      | W1                  | HEAT-C       | 710  | 138   | 163   | 189   | 215   | 242   | -     | -     | -     | -     |
|                 |      |      | W1                  | HEAT-D       | 750  | 155   | 181   | 207   | 235   | 262   | -     | -     | -     | -     |
|                 |      |      | W1+W2               | HEAT-A       | 940  | 253   | 281   | 312   | 344   | 378   | -     | -     | -     | -     |
|                 |      |      | W1+W2               | HEAT-B       | 970  | 271   | 300   | 331   | 364   | 400   | -     | -     | -     | -     |
|                 |      |      | W1+W2               | HEAT-C       | 1000 | 290   | 319   | 351   | 385   | 422   | -     | -     | -     | -     |
|                 |      |      | W1+W2               | HEAT-D       | 1050 | 324   | 353   | 386   | 422   | 461   | -     | -     | -     | -     |
| DNX036<br>(3.0) | Cool | Low  | Y1                  | COOL-A       | 900  | 198   | 233   | 272   | 313   | 358   | 406   | 458   | 512   | 569   |
|                 |      |      | Y1                  | COOL-B       | 760  | 166   | 190   | 222   | 262   | 310   | 366   | 431   | 503   | 584   |
|                 |      |      | Y1                  | COOL-C       | 830  | 180   | 210   | 245   | 286   | 332   | 384   | 441   | 503   | 571   |
|                 |      |      | Y1                  | COOL-D       | 970  | 221   | 260   | 302   | 344   | 388   | 434   | 481   | 530   | 579   |
|                 |      | High | Y1+Y2               | COOL-A       | 1250 | 361   | 408   | 454   | 501   | 548   | 594   | 640   | 687   | 733   |
|                 |      |      | Y1+Y2               | COOL-B       | 1050 | 253   | 296   | 340   | 384   | 428   | 472   | 516   | 561   | 605   |
|                 |      |      | Y1+Y2               | COOL-C       | 1150 | 302   | 348   | 394   | 439   | 484   | 528   | 571   | 615   | 657   |
|                 |      |      | Y1+Y2               | COOL-D       | 1350 | 429   | 475   | 522   | 570   | 620   | 671   | 723   | 777   | 831   |
|                 | Heat | N065 | W1                  | HEAT-A       | 1200 | 330   | 377   | 423   | 469   | 515   | 560   | -     | -     | -     |
|                 |      |      | W1                  | HEAT-B       | 1300 | 394   | 440   | 487   | 535   | 583   | 631   | -     | -     | -     |
|                 |      |      | W1                  | HEAT-C       | 1400 | 467   | 511   | 558   | 607   | 659   | 713   | -     | -     | -     |
|                 |      |      | W1                  | HEAT-D       | 1500 | 550   | 590   | 635   | 686   | 743   | 804   | -     | -     | -     |
|                 |      | N090 | W1                  | HEAT-A       | 1150 | 302   | 348   | 394   | 439   | 484   | 528   | -     | -     | -     |
|                 |      |      | W1                  | HEAT-B       | 1225 | 345   | 392   | 439   | 485   | 531   | 577   | -     | -     | -     |
|                 |      |      | W1                  | HEAT-C       | 1275 | 377   | 424   | 471   | 518   | 565   | 612   | -     | -     | -     |
|                 |      |      | W1                  | HEAT-D       | 1350 | 429   | 475   | 522   | 570   | 620   | 671   | -     | -     | -     |
|                 |      | D090 | W1                  | HEAT-A       | 740  | 163   | 185   | 216   | 255   | 304   | 362   | -     | -     | -     |
|                 |      |      | W1                  | HEAT-B       | 785  | 170   | 196   | 230   | 270   | 317   | 372   | -     | -     | -     |
|                 |      |      | W1                  | HEAT-C       | 825  | 178   | 208   | 243   | 284   | 330   | 382   | -     | -     | -     |
|                 |      |      | W1                  | HEAT-D       | 870  | 189   | 223   | 260   | 301   | 347   | 396   | -     | -     | -     |
|                 |      |      | W1+W2               | HEAT-A       | 1150 | 302   | 348   | 394   | 439   | 484   | 528   | -     | -     | -     |
|                 |      |      | W1+W2               | HEAT-B       | 1220 | 342   | 389   | 436   | 482   | 528   | 573   | -     | -     | -     |
|                 |      |      | W1+W2               | HEAT-C       | 1280 | 380   | 427   | 474   | 521   | 568   | 616   | -     | -     | -     |
|                 |      |      | W1+W2               | HEAT-D       | 1350 | 429   | 475   | 522   | 570   | 620   | 671   | -     | -     | -     |

## DNX Bottom Duct Application (Continued)

| Model<br>(Tons) | Mode  | Thermostat<br>Input | Speed<br>Tap | CFM    | External Static Pressure (Inch Water Gauge) |       |       |       |       |       |       |       |       |      |
|-----------------|-------|---------------------|--------------|--------|---|-------|-------|-------|-------|-------|-------|-------|-------|------|
|                 |       |                     |              |        | 0.2   | 0.3   | 0.4   | 0.5   | 0.6   | 0.7   | 0.8   | 0.9   | 1.0   |      |
|                 |       |                     |              |        | Watts                                       | Watts | Watts | Watts | Watts | Watts | Watts | Watts | Watts |      |
| DNX048<br>(4.0) | Cool  | Low                 | Y1           | COOL-A | 1030  | 237   | 280   | 323   | 367   | 411   | 455   | 499   | 543   | 588  |
|                 |       |                     | Y1           | COOL-B | 930   | 192   | 237   | 282   | 326   | 369   | 413   | 455   | 497   | 539  |
|                 |       |                     | Y1           | COOL-C | 1070  | 257   | 300   | 343   | 386   | 430   | 475   | 520   | 565   | 611  |
|                 |       |                     | Y1           | COOL-D | 1130  | 289   | 332   | 375   | 419   | 463   | 509   | 555   | 602   | 649  |
|                 |       | High                | Y1+Y2        | COOL-A | 1550  | 586   | 640   | 696   | 752   | 810   | 869   | 929   | 991   | 1053 |
|                 |       |                     | Y1+Y2        | COOL-B | 1400  | 466   | 513   | 561   | 611   | 663   | 715   | 770   | 826   | 882  |
|                 |       |                     | Y1+Y2        | COOL-C | 1600  | 630   | 687   | 745   | 804   | 864   | 926   | 988   | 1052  | 1116 |
|                 |       |                     | Y1+Y2        | COOL-D | 1700  | 723   | 787   | 851   | 916   | 982   | 1049  | 1116  | 1185  | -    |
|                 | Heat  | N065                | W1           | HEAT-A | 1200  | 330   | 373   | 416   | 461   | 507   | 554   | -     | -     | -    |
|                 |       |                     | W1           | HEAT-B | 1300  | 394   | 439   | 484   | 531   | 579   | 629   | -     | -     | -    |
|                 |       |                     | W1           | HEAT-C | 1400  | 466   | 513   | 561   | 611   | 663   | 715   | -     | -     | -    |
|                 |       |                     | W1           | HEAT-D | 1500  | 544   | 596   | 648   | 702   | 758   | 815   | -     | -     | -    |
|                 |       | N090                | W1           | HEAT-A | 1325  | 412   | 456   | 503   | 550   | 599   | 649   | -     | -     | -    |
|                 |       |                     | W1           | HEAT-B | 1400  | 466   | 513   | 561   | 611   | 663   | 715   | -     | -     | -    |
|                 |       |                     | W1           | HEAT-C | 1500  | 544   | 596   | 648   | 702   | 758   | 815   | -     | -     | -    |
|                 |       |                     | W1           | HEAT-D | 1600  | 630   | 687   | 745   | 804   | 864   | 926   | -     | -     | -    |
|                 |       | D090                | W1           | HEAT-A | 870   | 168   | 215   | 261   | 306   | 350   | 393   | -     | -     | -    |
|                 |       |                     | W1           | HEAT-B | 920   | 188   | 233   | 278   | 322   | 366   | 409   | -     | -     | -    |
|                 |       |                     | W1           | HEAT-C | 985   | 216   | 260   | 303   | 347   | 391   | 434   | -     | -     | -    |
|                 |       |                     | W1           | HEAT-D | 1050  | 247   | 290   | 333   | 376   | 420   | 464   | -     | -     | -    |
|                 |       |                     | W1+W2        | HEAT-A | 1330  | 415   | 460   | 506   | 554   | 603   | 653   | -     | -     | -    |
|                 |       |                     | W1+W2        | HEAT-B | 1400  | 466   | 513   | 561   | 611   | 663   | 715   | -     | -     | -    |
|                 |       |                     | W1+W2        | HEAT-C | 1500  | 544   | 596   | 648   | 702   | 758   | 815   | -     | -     | -    |
|                 |       |                     | W1+W2        | HEAT-D | 1600  | 630   | 687   | 745   | 804   | 864   | 926   | -     | -     | -    |
|                 |       | N110                | W1           | HEAT-A | 1450  | 504   | 553   | 604   | 656   | -     | -     | -     | -     | -    |
|                 |       |                     | W1           | HEAT-B | 1500  | 544   | 596   | 648   | 702   | -     | -     | -     | -     | -    |
|                 |       |                     | W1           | HEAT-C | 1600  | 630   | 687   | 745   | 804   | -     | -     | -     | -     | -    |
|                 |       |                     | W1           | HEAT-D | 1700  | 723   | 787   | 851   | 916   | -     | -     | -     | -     | -    |
| D110            | W1    | HEAT-A              | 940          | 196    | 241   | 285   | 329   | -     | -     | -     | -     | -     |       |      |
|                 | W1    | HEAT-B              | 970          | 209    | 253   | 297   | 341   | -     | -     | -     | -     | -     |       |      |
|                 | W1    | HEAT-C              | 1050         | 247    | 290   | 333   | 376   | -     | -     | -     | -     | -     |       |      |
|                 | W1    | HEAT-D              | 1100         | 273    | 315   | 358   | 402   | -     | -     | -     | -     | -     |       |      |
|                 | W1+W2 | HEAT-A              | 1450         | 504    | 553   | 604   | 656   | -     | -     | -     | -     | -     |       |      |
|                 | W1+W2 | HEAT-B              | 1500         | 544    | 596   | 648   | 702   | -     | -     | -     | -     | -     |       |      |
|                 | W1+W2 | HEAT-C              | 1600         | 630    | 687   | 745   | 804   | -     | -     | -     | -     | -     |       |      |
|                 | W1+W2 | HEAT-D              | 1700         | 723    | 787   | 851   | 916   | -     | -     | -     | -     | -     |       |      |

## DNZ/DNQ/DNY/DNX Additional Static Resistance

| Size (Tons)                     | CFM  | Wet Indoor Coil | Economizer <sup>1</sup> | Filter/Frame Kit | Electric Heat |
|---------------------------------|------|-----------------|-------------------------|------------------|---------------|
| DNZ/DNQ/DNY/DNX<br>024<br>(2.0) | 500  | 0.01            | 0.00                    | 0.01             | -             |
|                                 | 600  | 0.01            | 0.00                    | 0.02             | -             |
|                                 | 700  | 0.01            | 0.00                    | 0.04             | -             |
|                                 | 800  | 0.02            | 0.01                    | 0.06             | -             |
|                                 | 900  | 0.03            | 0.01                    | 0.08             | -             |
|                                 | 1000 | 0.04            | 0.01                    | 0.10             | -             |
|                                 | 1100 | 0.05            | 0.01                    | 0.13             | -             |
|                                 | 1200 | 0.06            | 0.02                    | 0.16             | -             |
| DNZ/DNQ<br>030<br>(2.5)         | 700  | 0.01            | 0.00                    | 0.04             | -             |
|                                 | 800  | 0.02            | 0.01                    | 0.06             | -             |
|                                 | 900  | 0.03            | 0.01                    | 0.08             | -             |
|                                 | 1000 | 0.04            | 0.01                    | 0.10             | -             |
|                                 | 1100 | 0.05            | 0.01                    | 0.13             | -             |
|                                 | 1200 | 0.06            | 0.02                    | 0.16             | -             |
| DNZ/DNQ/DNY/DNX<br>036<br>(3.0) | 700  | 0.01            | 0.00                    | 0.04             | -             |
|                                 | 800  | 0.02            | 0.01                    | 0.06             | -             |
|                                 | 900  | 0.03            | 0.01                    | 0.08             | -             |
|                                 | 1000 | 0.04            | 0.01                    | 0.10             | -             |
|                                 | 1100 | 0.05            | 0.01                    | 0.13             | -             |
|                                 | 1200 | 0.06            | 0.02                    | 0.16             | -             |
|                                 | 1300 | 0.07            | 0.03                    | 0.17             | -             |
|                                 | 1400 | 0.08            | 0.04                    | 0.18             | -             |
| DNZ/DNQ<br>042<br>(3.5)         | 1100 | 0.02            | 0.02                    | 0.04             | -             |
|                                 | 1200 | 0.03            | 0.02                    | 0.04             | -             |
|                                 | 1300 | 0.04            | 0.02                    | 0.05             | -             |
|                                 | 1400 | 0.05            | 0.03                    | 0.05             | -             |
|                                 | 1500 | 0.06            | 0.04                    | 0.06             | -             |
|                                 | 1600 | 0.07            | 0.04                    | 0.07             | -             |
|                                 | 1700 | 0.07            | 0.04                    | 0.08             | -             |
|                                 | 1800 | 0.08            | 0.04                    | 0.09             | -             |
|                                 | 1900 | 0.09            | 0.05                    | 0.10             | -             |
|                                 | 2000 | 0.09            | 0.05                    | 0.11             | -             |
| DNZ/DNQ<br>048<br>(4.0)         | 1100 | 0.02            | 0.02                    | 0.04             | -             |
|                                 | 1200 | 0.03            | 0.02                    | 0.04             | -             |
|                                 | 1300 | 0.04            | 0.02                    | 0.05             | -             |
|                                 | 1400 | 0.05            | 0.03                    | 0.05             | -             |
|                                 | 1500 | 0.06            | 0.04                    | 0.06             | -             |
|                                 | 1600 | 0.07            | 0.04                    | 0.07             | -             |
|                                 | 1700 | 0.07            | 0.04                    | 0.08             | -             |
|                                 | 1800 | 0.08            | 0.04                    | 0.09             | -             |
|                                 | 1900 | 0.09            | 0.05                    | 0.10             | -             |
|                                 | 2000 | 0.09            | 0.05                    | 0.11             | -             |
| DNZ/DNQ/DNY<br>060<br>(5.0)     | 1100 | 0.02            | 0.02                    | 0.04             | -             |
|                                 | 1200 | 0.03            | 0.02                    | 0.04             | -             |
|                                 | 1300 | 0.04            | 0.02                    | 0.05             | -             |
|                                 | 1400 | 0.05            | 0.03                    | 0.05             | -             |
|                                 | 1500 | 0.06            | 0.04                    | 0.06             | -             |
|                                 | 1600 | 0.07            | 0.04                    | 0.07             | -             |
|                                 | 1700 | 0.07            | 0.04                    | 0.08             | -             |
|                                 | 1800 | 0.08            | 0.04                    | 0.09             | -             |
|                                 | 1900 | 0.09            | 0.05                    | 0.10             | -             |
|                                 | 2000 | 0.09            | 0.05                    | 0.11             | -             |

1. The pressure drop through the economizer is greater for 100% outdoor air than for 100% return air. If the resistance of the return air duct is less than 0.25 IWG, the unit will deliver less CFM during full economizer operation.

**DNZ Gas Heat Minimum Supply Air**

| Model<br>(Tons) | Heat Size | Supply Air (CFM) |      |         |      |
|-----------------|-----------|------------------|------|---------|------|
|                 |           | Cooling          |      | Heating |      |
|                 |           | Min              | Max  | Min     | Max  |
| DNZ024<br>(2.0) | N036      | 600              | 1000 | 610     | 1330 |
|                 | D056      | 600              | 1000 | 860     | 1730 |
| DNZ030<br>(2.5) | N036      | 750              | 1250 | 610     | 1330 |
|                 | N056      | 750              | 1250 | 860     | 1730 |
| DNZ036<br>(3.0) | D056      | 750              | 1250 | 860     | 1730 |
|                 | N036      | 1200             | 1500 | 610     | 1330 |
|                 | N056      | 1200             | 1500 | 940     | 2070 |
|                 | D056      | 1200             | 1500 | 940     | 2070 |
| DNZ042<br>(3.5) | N072      | 1200             | 1500 | 1110    | 2220 |
|                 | D072      | 1200             | 1500 | 1110    | 2220 |
|                 | N065      | 1050             | 1750 | 1080    | 2370 |
|                 | N090      | 1050             | 1750 | 1070    | 1780 |
| DNZ048<br>(4.0) | D090      | 1050             | 1750 | 1070    | 1780 |
|                 | N065      | 1200             | 2000 | 1080    | 2370 |
|                 | N090      | 1200             | 2000 | 1230    | 2290 |
|                 | D090      | 1200             | 2000 | 1230    | 2290 |
| DNZ060<br>(5.0) | N110      | 1200             | 2000 | 1330    | 2220 |
|                 | D110      | 1200             | 2000 | 1330    | 2220 |
|                 | N065      | 1500             | 2100 | 1080    | 2370 |
|                 | N090      | 1500             | 2100 | 1230    | 2290 |
| DNZ060<br>(5.0) | D090      | 1500             | 2100 | 1230    | 2290 |
|                 | N110      | 1500             | 2100 | 1330    | 2220 |
|                 | D110      | 1500             | 2100 | 1330    | 2220 |
|                 | D110      | 1500             | 2100 | 1330    | 2220 |

**DNQ Gas Heat Minimum Supply Air**

| Model<br>(Tons) | Heat Size | Supply Air (CFM) |      |         |      |
|-----------------|-----------|------------------|------|---------|------|
|                 |           | Cooling          |      | Heating |      |
|                 |           | Min              | Max  | Min     | Max  |
| DNQ024<br>(2.0) | N036      | 450              | 900  | 610     | 1330 |
|                 | N056      | 450              | 900  | 860     | 1730 |
|                 | D056      | 450              | 900  | 860     | 1730 |
| DNQ030<br>(2.5) | N036      | 750              | 1250 | 610     | 1330 |
|                 | N056      | 750              | 1250 | 860     | 1730 |
|                 | D056      | 750              | 1250 | 860     | 1730 |
| DNQ036<br>(3.0) | N036      | 700              | 1350 | 610     | 1330 |
|                 | N056      | 700              | 1350 | 940     | 2070 |
|                 | D056      | 700              | 1350 | 940     | 2070 |
|                 | N072      | 700              | 1350 | 1110    | 2220 |
| DNQ042<br>(3.5) | D072      | 700              | 1350 | 1110    | 2220 |
|                 | N065      | 1050             | 1750 | 1080    | 2370 |
|                 | N090      | 1050             | 1750 | 1070    | 1780 |
|                 | D090      | 1050             | 1750 | 1070    | 1780 |
| DNQ048<br>(4.0) | N065      | 930              | 1700 | 1080    | 2370 |
|                 | N090      | 930              | 1700 | 1230    | 2290 |
|                 | D090      | 930              | 1700 | 1230    | 2290 |
|                 | N110      | 930              | 1700 | 1330    | 2220 |
| DNQ060<br>(5.0) | D110      | 930              | 1700 | 1330    | 2220 |
|                 | N065      | 1060             | 1800 | 1080    | 2370 |
|                 | N090      | 1060             | 1800 | 1230    | 2290 |
|                 | D090      | 1060             | 1800 | 1230    | 2290 |
| DNQ060<br>(5.0) | N110      | 1060             | 1800 | 1330    | 2220 |
|                 | D110      | 1060             | 1800 | 1330    | 2220 |
|                 | D110      | 1060             | 1800 | 1330    | 2220 |
|                 | D110      | 1060             | 1800 | 1330    | 2220 |

**DNY Gas Heat Minimum Supply Air**

| Model<br>(Tons) | Heat Size | Supply Air (CFM) |      |         |      |
|-----------------|-----------|------------------|------|---------|------|
|                 |           | Cooling          |      | Heating |      |
|                 |           | Min              | Max  | Min     | Max  |
| DNY024<br>(2.0) | D056      | 450              | 900  | 860     | 1730 |
| DNY036<br>(3.0) | D056      | 700              | 1350 | 940     | 2070 |
|                 | D072      | 700              | 1350 | 1110    | 2220 |
| DNY048<br>(4.0) | D090      | 930              | 1700 | 1230    | 2290 |
|                 | D110      | 930              | 1700 | 1330    | 2220 |
| DNY060<br>(5.0) | D090      | 1060             | 1800 | 1230    | 2290 |
|                 | D110      | 1060             | 1800 | 1330    | 2220 |

**DNX Gas Heat Minimum Supply Air**

| Model<br>(Tons) |     | Heat Size | Supply Air (CFM) |      |         |      |
|-----------------|-----|-----------|------------------|------|---------|------|
|                 |     |           | Cooling          |      | Heating |      |
|                 |     |           | Min              | Max  | Min     | Max  |
| DNX024<br>(2.0) |     | N036      | 450              | 900  | 610     | 1330 |
|                 |     | N056      | 450              | 900  | 860     | 1730 |
|                 |     | D056      | 450              | 900  | 860     | 1730 |
| DNX036<br>(3.0) | DNX | N065      | 685              | 1350 | 1080    | 2370 |
|                 |     | N090      | 685              | 1350 | 1070    | 1780 |
|                 |     | D090      | 685              | 1350 | 1070    | 1780 |
| DNX048<br>(4.0) | DNX | N065      | 930              | 1700 | 1080    | 2370 |
|                 |     | N090      | 930              | 1700 | 1230    | 2290 |
|                 |     | D090      | 930              | 1700 | 1230    | 2290 |
|                 |     | N110      | 930              | 1700 | 1330    | 2220 |
|                 |     | D110      | 930              | 1700 | 1330    | 2220 |

**DNZ/DNQ Indoor Blower Specifications**

| Model<br>(Tons)      | Motor |          |      |     |       |
|----------------------|-------|----------|------|-----|-------|
|                      | HP    | RPM      | Eff. | SF  | Frame |
| DNZ/DNQ 024<br>(2.0) | 1/2   | Variable | 0.8  | 1.0 | 48    |
| DNZ/DNQ 030<br>(2.5) | 3/4   | Variable | 0.8  | 1.0 | 48    |
| DNZ/DNQ 036<br>(3.0) | 3/4   | Variable | 0.8  | 1.0 | 48    |
| DNZ/DNQ 042<br>(3.5) | 3/4   | Variable | 0.8  | 1.0 | 48    |
| DNZ/DNQ 048<br>(4.0) | 1     | Variable | 0.8  | 1.0 | 48    |
| DNZ/DNQ 060<br>(5.0) | 1     | Variable | 0.8  | 1.0 | 48    |

**DNY Indoor Blower Specifications**

| Model<br>(Tons) | Motor |          |      |     |       |
|-----------------|-------|----------|------|-----|-------|
|                 | HP    | RPM      | Eff. | SF  | Frame |
| DNY024<br>(2.0) | 1/2   | Variable | 0.8  | 1.0 | 48    |
| DNY036<br>(3.0) | 3/4   | Variable | 0.8  | 1.0 | 48    |
| DNY048<br>(4.0) | 1     | Variable | 0.8  | 1.0 | 48    |
| DNY060<br>(5.0) | 1     | Variable | 0.8  | 1.0 | 48    |

**DNX Indoor Blower Specifications**

| Model<br>(Tons) | Motor |          |      |     |       |
|-----------------|-------|----------|------|-----|-------|
|                 | HP    | RPM      | Eff. | SF  | Frame |
| DNX024<br>(2.0) | 1/2   | Variable | 0.8  | 1.0 | 48    |
| DNX036<br>(3.0) | 1     | Variable | 0.8  | 1.0 | 48    |
| DNX048<br>(4.0) | 1     | Variable | 0.8  | 1.0 | 48    |

**Sound Performance****DNZ Outdoor Sound Power Levels**

| Model<br>(Tons) | Sound Rating <sup>1</sup><br>dB (A) | Octave Band Centerline Frequency (Hz) |      |      |      |      |      |      |
|-----------------|-------------------------------------|---------------------------------------|------|------|------|------|------|------|
|                 |                                     | 125                                   | 250  | 500  | 1000 | 2000 | 4000 | 8000 |
| DNZ024<br>(2.0) | 77                                  | 64                                    | 65.5 | 68   | 72.5 | 64.5 | 60.5 | 48.5 |
| DNZ030<br>(2.5) | 74                                  | 63.5                                  | 64.5 | 66.5 | 67   | 63   | 57.5 | 51.5 |
| DNZ036<br>(3.0) | 74                                  | 66.5                                  | 66.5 | 69.5 | 68   | 63   | 59   | 49.5 |
| DNZ042<br>(3.5) | 79                                  | 70                                    | 70.5 | 73.5 | 73   | 69.5 | 67   | 66   |
| DNZ048<br>(4.0) | 79                                  | 70.5                                  | 71   | 73.5 | 73   | 70   | 66   | 66   |
| DNZ060<br>(5.0) | 80                                  | 73                                    | 71.5 | 74.5 | 75   | 70.5 | 67   | 62.5 |

1. Rated in accordance with AHRI 270 standard.



**DNQ Outdoor Sound Power Levels**

| Model<br>(Tons) | Sound Rating <sup>1</sup><br>dB (A) | Octave Band Centerline Frequency (Hz) |      |      |      |      |      |      |
|-----------------|-------------------------------------|---------------------------------------|------|------|------|------|------|------|
|                 |                                     | 125                                   | 250  | 500  | 1000 | 2000 | 4000 | 8000 |
| DNQ024<br>(2.0) | 80                                  | 66                                    | 70.5 | 74   | 74.5 | 72.5 | 67.5 | 64.5 |
| DNQ030<br>(2.5) | 74                                  | 63.5                                  | 64.5 | 66.5 | 67   | 63   | 57.5 | 51.5 |
| DNQ036<br>(3.0) | 79.5                                | 69                                    | 71.5 | 74   | 74   | 70.5 | 67   | 61   |
| DNQ042<br>(3.5) | 79                                  | 70                                    | 70.5 | 73.5 | 73   | 69.5 | 67   | 66   |
| DNQ048<br>(4.0) | 80                                  | 71.5                                  | 71.5 | 73.5 | 74   | 69.5 | 65   | 63.5 |
| DNQ060<br>(5.0) | 81                                  | 73.5                                  | 73   | 76   | 75.5 | 71   | 66.5 | 61.5 |

1. Rated in accordance with AHRI 270 standard.

**DNY Outdoor Sound Power Levels**

| Model<br>(Tons) | Sound Rating <sup>1</sup><br>dB (A) | Octave Band Centerline Frequency (Hz) |      |      |      |      |      |      |
|-----------------|-------------------------------------|---------------------------------------|------|------|------|------|------|------|
|                 |                                     | 125                                   | 250  | 500  | 1000 | 2000 | 4000 | 8000 |
| DNY024<br>(2.0) | 80                                  | 66                                    | 70.5 | 74   | 74.5 | 72.5 | 67.5 | 64.5 |
| DNY036<br>(3.0) | 79.5                                | 69                                    | 71.5 | 74   | 74   | 70.5 | 67   | 61   |
| DNY048<br>(4.0) | 80                                  | 71.5                                  | 71.5 | 73.5 | 74   | 69.5 | 65   | 63.5 |
| DNY060<br>(5.0) | 81                                  | 73.5                                  | 73   | 76   | 75.5 | 71   | 66.5 | 61.5 |

1. Rated in accordance with AHRI 270 standard.

**DNX Outdoor Sound Power Levels**

| Model<br>(Tons) | Sound Rating <sup>1</sup><br>dB (A) | Octave Band Centerline Frequency (Hz) |      |      |      |      |      |      |
|-----------------|-------------------------------------|---------------------------------------|------|------|------|------|------|------|
|                 |                                     | 125                                   | 250  | 500  | 1000 | 2000 | 4000 | 8000 |
| DNX024<br>(2.0) | 80                                  | 66                                    | 70.5 | 74   | 74.5 | 72.5 | 67.5 | 64.5 |
| DNX036<br>(3.0) | 80                                  | 70.5                                  | 71   | 74.5 | 74   | 71   | 67.5 | 64   |
| DNX048<br>(4.0) | 81                                  | 72.5                                  | 73   | 76   | 75.5 | 71   | 67.5 | 65   |

1. Rated in accordance with AHRI 270 standard.

## Electrical Data

### DNZ Electrical Data

| Model<br>(Tons) | Volt         | Compressor |     |     | OD Fan<br>Motor | Supply<br>Blower<br>Motor | MCA <sup>1</sup><br>(Amps) | Max<br>Fuse <sup>2</sup> /<br>Breaker <sup>3</sup><br>Size<br>(Amps) |
|-----------------|--------------|------------|-----|-----|-----------------|---------------------------|----------------------------|--|
|                 |              | RLA        | LRA | MCC | FLA             | FLA                       |                            |  |
| DNZ024<br>(2.0) | 208/230-1-60 | 9.3        | 43  | 15  | 1.4             | 4.1                       | 17.1                       | 25   |
| DNZ030<br>(2.5) | 208/230-1-60 | 13.1       | 74  | 21  | 1.3             | 6.0                       | 23.7                       | 30   |
|                 | 208/230-3-60 | 8.6        | 68  | 14  | 1.3             | 6.0                       | 18.1                       | 25   |
|                 | 460-3-60     | 4.5        | 34  | 7   | 0.75            | 3.0                       | 8.6                        | 15   |
| DNZ036<br>(3.0) | 208/230-1-60 | 14.7       | 74  | 23  | 1.3             | 6.0                       | 25.7                       | 35   |
|                 | 208/230-3-60 | 9.1        | 68  | 14  | 1.3             | 6.0                       | 18.7                       | 25   |
|                 | 460-3-60     | 4.5        | 34  | 7   | 0.8             | 3.0                       | 9.4                        | 15   |
| DNZ042<br>(3.5) | 208/230-1-60 | 15.7       | 88  | 25  | 1.7             | 6.0                       | 27.3                       | 35   |
|                 | 208/230-3-60 | 9.3        | 68  | 15  | 1.7             | 6.0                       | 19.3                       | 25   |
|                 | 460-3-60     | 5.1        | 34  | 8   | 1.0             | 3.0                       | 10.4                       | 15   |
| DNZ048<br>(4.0) | 208/230-1-60 | 21.8       | 117 | 34  | 1.7             | 7.6                       | 36.6                       | 45   |
|                 | 208/230-3-60 | 13.7       | 83  | 21  | 1.7             | 7.6                       | 26.4                       | 35   |
|                 | 460-3-60     | 6.2        | 41  | 10  | 1.0             | 3.8                       | 12.6                       | 15   |
| DNZ060<br>(5.0) | 208/230-1-60 | 26.4       | 134 | 41  | 2.3             | 7.6                       | 42.9                       | 60   |
|                 | 208/230-3-60 | 15.9       | 110 | 25  | 2.3             | 7.6                       | 29.8                       | 40   |
|                 | 460-3-60     | 7.7        | 52  | 12  | 1.3             | 3.8                       | 14.7                       | 20   |

1. Minimum Circuit Ampacity.
2. Maximum Over Current Protection per standard UL 1995.
3. Fuse or HACR circuit breaker size installed at factory or field installed.

### DNQ Electrical Data

| Model<br>(Tons) | Volt         | Compressor |     |     | OD Fan<br>Motor | Supply<br>Blower<br>Motor | MCA <sup>1</sup><br>(Amps) | Max<br>Fuse <sup>2</sup> /<br>Breaker <sup>3</sup><br>Size<br>(Amps) |
|-----------------|--------------|------------|-----|-----|-----------------|---------------------------|----------------------------|--|
|                 |              | RLA        | LRA | MCC | FLA             | FLA                       |                            |  |
| DNQ024<br>(2.0) | 208/230-1-60 | 8.3        | 43  | 13  | 1.4             | 4.3                       | 16.1                       | 20   |
| DNQ030<br>(2.5) | 208/230-1-60 | 14.1       | 73  | 22  | 1.4             | 6.8                       | 25.8                       | 35   |
|                 | 208/230-3-60 | 8.9        | 58  | 14  | 1.4             | 6.8                       | 19.3                       | 25   |
|                 | 460-3-60     | 4.2        | 28  | 7   | 0.8             | 3.4                       | 9.5                        | 15   |
| DNQ036<br>(3.0) | 208/230-1-60 | 14.1       | 77  | 22  | 1.4             | 6.8                       | 25.8                       | 35   |
|                 | 208/230-3-60 | 9.0        | 71  | 14  | 1.4             | 6.8                       | 19.5                       | 25   |
|                 | 460-3-60     | 5.6        | 38  | 9   | 0.8             | 3.4                       | 11.2                       | 15   |
| DNQ042          | 208/230-1-60 | 17.9       | 112 | 28  | 1.7             | 9.1                       | 33.2                       | 40   |
|                 | 208/230-3-60 | 13.2       | 88  | 21  | 1.7             | 9.1                       | 27.3                       | 35   |
|                 | 460-3-60     | 6.0        | 44  | 9   | 0.9             | 4.6                       | 13                         | 15   |
| DNQ048<br>(4.0) | 208/230-1-60 | 20.5       | 115 | 32  | 1.7             | 9.1                       | 36.4                       | 45   |
|                 | 208/230-3-60 | 16.0       | 120 | 25  | 1.7             | 9.1                       | 30.8                       | 40   |
|                 | 460-3-60     | 7.7        | 50  | 12  | 0.9             | 4.6                       | 15.1                       | 20   |
| DNQ060<br>(5.0) | 208/230-1-60 | 25.0       | 134 | 39  | 2.8             | 9.1                       | 43.2                       | 60   |
|                 | 208/230-3-60 | 15.9       | 110 | 25  | 2.8             | 9.1                       | 31.8                       | 40   |
|                 | 460-3-60     | 7.7        | 52  | 12  | 1.4             | 4.6                       | 15.6                       | 20   |

1. Minimum Circuit Ampacity.
2. Maximum Over Current Protection per standard UL 1995.
3. Fuse or HACR circuit breaker size installed at factory or field installed.

**DNY Electrical Data**

| Model (Tons) | Volt         | Compressor |     |     | OD Fan Motor | Supply Blower Motor | MCA <sup>1</sup> (Amps) | Max Fuse <sup>2</sup> /<br>Breaker <sup>3</sup> Size (Amps) |
|--------------|--------------|------------|-----|-----|--------------|---------------------|-------------------------|---|
|              |              | RLA        | LRA | MCC | FLA          | FLA                 |                         |   |
| DNY024 (2.0) | 208/230-1-60 | 10.2       | 52  | 16  | 1.4          | 4.3                 | 18.5                    | 25  |
| DNY036 (3.0) | 208/230-1-60 | 16.6       | 82  | 26  | 1.4          | 6.8                 | 29                      | 35  |
|              | 208/230-3-60 | 11.1       | 58  | 17  | 1.4          | 6.8                 | 22.1                    | 30  |
| DNY048 (4.0) | 208/230-1-60 | 21.1       | 96  | 33  | 1.7          | 9.1                 | 37.2                    | 45  |
|              | 208/230-3-60 | 13.4       | 88  | 21  | 1.7          | 9.1                 | 27.6                    | 35  |
| DNY060 (5.0) | 208/230-1-60 | 25.6       | 118 | 40  | 1.8          | 9.1                 | 42.9                    | 60  |
|              | 208/230-3-60 | 17.6       | 135 | 28  | 1.8          | 9.1                 | 32.9                    | 40  |

1. Minimum Circuit Ampacity.
2. Maximum Over Current Protection per standard UL 1995.
3. Fuse or HACR circuit breaker size installed at factory or field installed.

**DNX Electrical Data**

| Model (Tons) | Volt         | Compressor |     |     | OD Fan Motor | Supply Blower Motor | MCA <sup>1</sup> (Amps) | Max Fuse <sup>2</sup> /<br>Breaker <sup>3</sup> Size (Amps) |
|--------------|--------------|------------|-----|-----|--------------|---------------------|-------------------------|---|
|              |              | RLA        | LRA | MCC | FLA          | FLA                 |                         |   |
| DNX024 (2.0) | 208/230-1-60 | 10.2       | 52  | 16  | 1.4          | 4.3                 | 18.1                    | 25  |
| DNX036 (3.0) | 208/230-1-60 | 16.6       | 82  | 26  | 0.9          | 9.1                 | 30.7                    | 40  |
|              | 208/230-3-60 | 11.1       | 58  | 17  | 0.9          | 9.1                 | 23.8                    | 30  |
|              | 460-3-60     | 4.5        | 29  | 7   | 0.5          | 4.6                 | 10.7                    | 15  |
| DNX048 (4.0) | 208/230-1-60 | 21.1       | 96  | 33  | 1.8          | 9.1                 | 36.3                    | 45  |
|              | 208/230-3-60 | 13.4       | 88  | 21  | 1.8          | 9.1                 | 26.7                    | 35  |
|              | 460-3-60     | 6.4        | 41  | 10  | 0.9          | 4.6                 | 13.0                    | 15  |

1. Minimum Circuit Ampacity.
2. Maximum Over Current Protection per standard UL 1995.
3. Fuse or HACR circuit breaker size installed at factory or field installed.

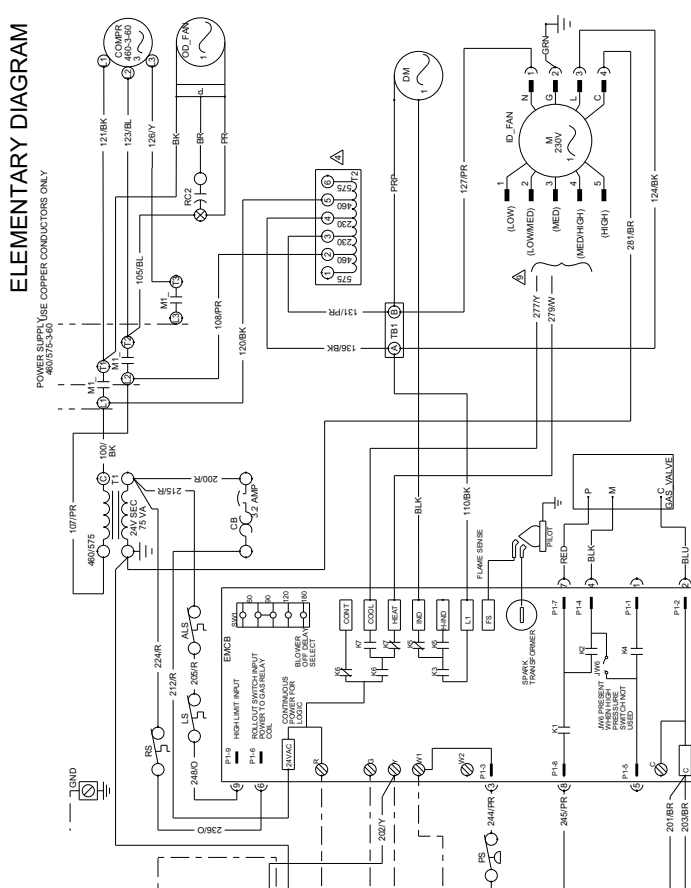




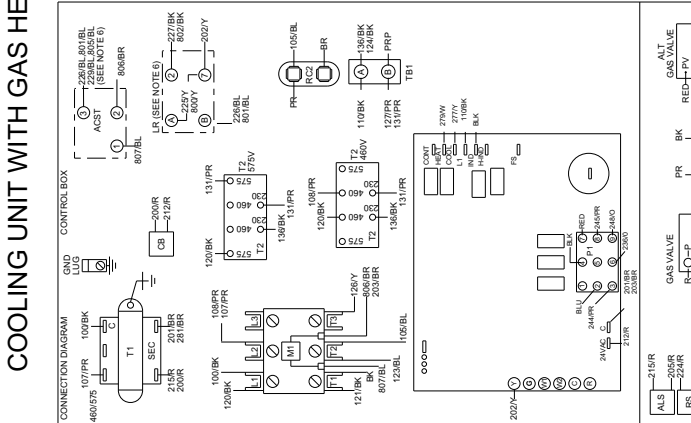


# Typical DNZ030-060 Cooling Unit with Single Stage Gas Heat 460-3-60 volt Wiring Diagram

## ELEMENTARY DIAGRAM



## COOLING UNIT WITH GAS HEAT



**NOTES:**

1. ALL FIELD WIRING TO BE ACCOMPLISHED FOLLOWING CITY, LOCAL AND/OR NATIONAL CODES IN EFFECT AT TIME OF INSTALLATION OF THIS UNIT.
2. CONTRACTOR SHALL VERIFY THAT ALL ELECTRICAL CONNECTIONS TO UNIT CONTROLS, WIRING ERRORS CAN CAUSE WORKER AND DANGEROUS EQUIPMENT INJURY AND PROPERTY DAMAGE. CONTRACTOR SHALL REMOVE IT AS SOON AS POSSIBLE TO PREVENT REPAIRS. THIS IS A FATALITY PREVENTION MEASURE. REPAIRS SHALL BE COMPLETED WITHIN 24 HOURS AND MUST BE APPROVED BY THE MANUFACTURER'S SERVICE DEPARTMENT AFTER IDENTIFICATION.
3. MOTORS INHERENTLY PROTECTED.
4. FOR 240VOLT OPERATION WIRE 1/8" Ø TO 5/16" TYP ON TRANSFORMER T2 AND WIRE 1/2" Ø TO 2/1" TYP ON TRANSFORMER T2.
5. SEE NAMEPLATE FOR MAXIMUM FUSE AND/OR CIRCUIT BREAKER SIZE AND MINIMUM CIRCUIT AMPCACITY.
6. REMOVED
7. REMOVED
8. SELECT INDOOR BLOWER SPEED TO REMAIN WITHIN THE TEMPERATURE RISE RANGE ON THE NAMEPLATE IN HEATING AND TO OBTAIN APPROX. 400 CFM/TON IN COOLING.

LEGEND:

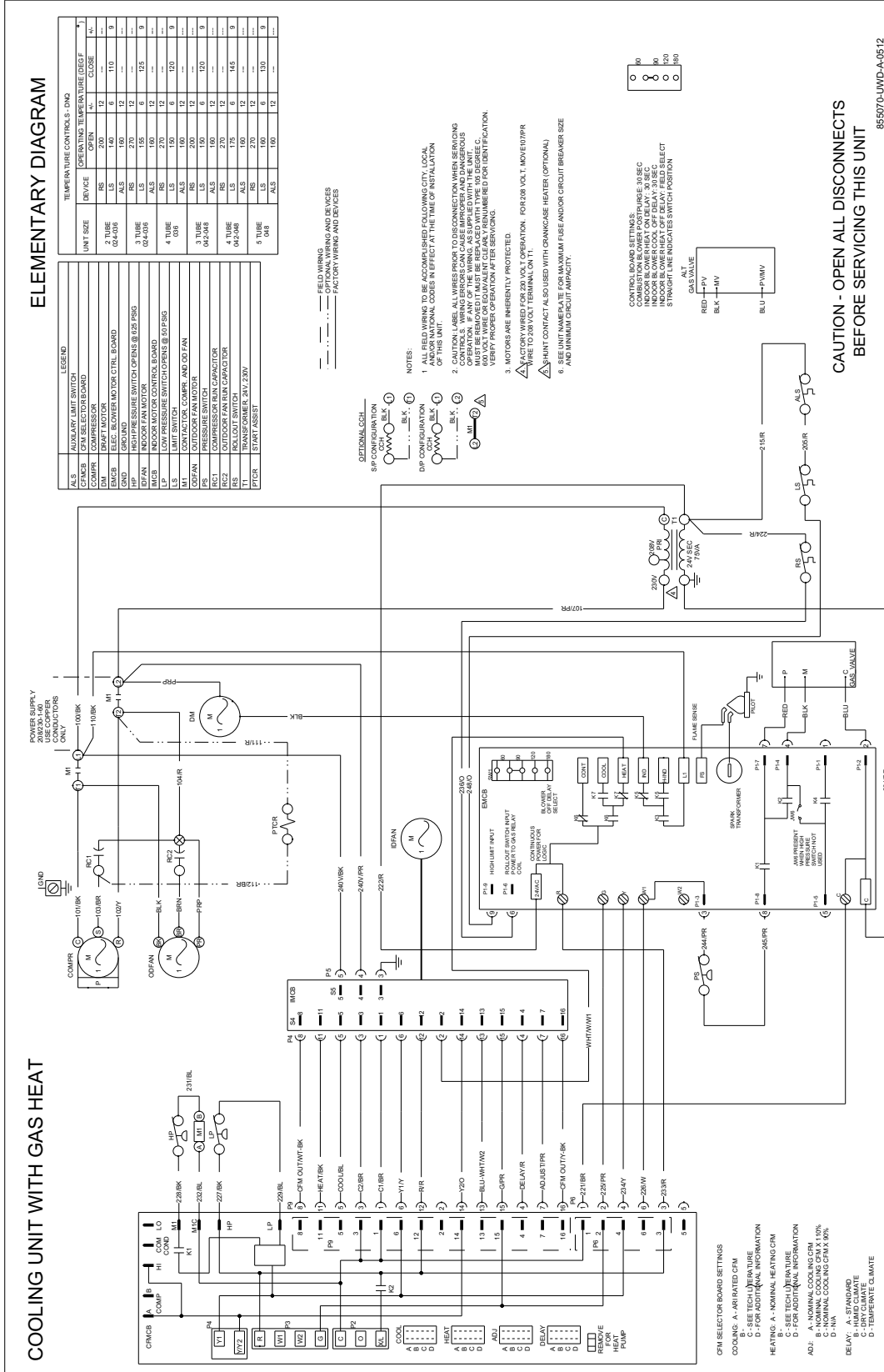
- : FACTORY WIRING AND DEVICES
- · - · -: OPTIONAL WIRING AND DEVICES
- ⊠: OPTIONAL WIRING AND DEVICES

| UNIT SIZE  | TEMPERATURE CONTROLS | COILS | VALVE | TRANSFORMER | TEMPERATURE CONTROLS |
|------------|----------------------|-------|-------|-------------|----------------------|
| UNIT SIZE  | DEVICE               | COILS | VALVE | TRANSFORMER | DEVICE               |
| 2 1/2 TUBE | LS                   | 100   | 110   | 3           | 31.08E               |
| 3 TUBE     | LS                   | 100   | 110   | 3           | 31.08E               |
| 3 1/2 TUBE | LS                   | 100   | 110   | 3           | 31.08E               |
| 4 TUBE     | LS                   | 100   | 110   | 3           | 31.08E               |
| 4 1/2 TUBE | LS                   | 100   | 110   | 3           | 31.08E               |
| 5 TUBE     | LS                   | 100   | 110   | 3           | 31.08E               |
| 6 TUBE     | LS                   | 100   | 110   | 3           | 31.08E               |
| 7 TUBE     | LS                   | 100   | 110   | 3           | 31.08E               |
| 8 TUBE     | LS                   | 100   | 110   | 3           | 31.08E               |
| 9 TUBE     | LS                   | 100   | 110   | 3           | 31.08E               |
| 10 TUBE    | LS                   | 100   | 110   | 3           | 31.08E               |

**CAUTION - OPEN ALL DISCONNECTS BEFORE SERVICING THIS UNIT**

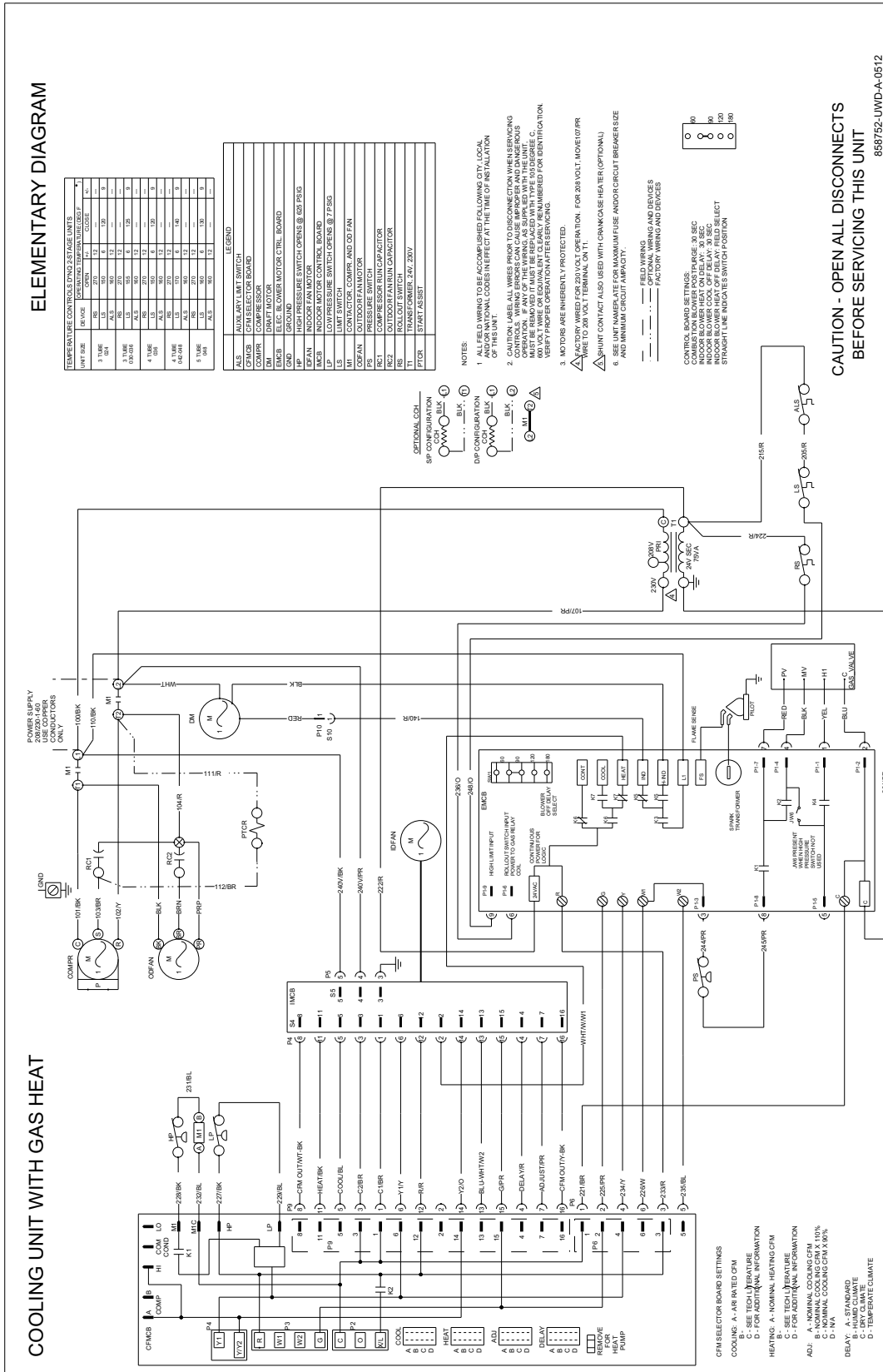
848982-UWD-A-0312

Typical DNQ024-048 Cooling Unit with Single Stage Gas Heat 208/230-1-60 volt Wiring Diagram

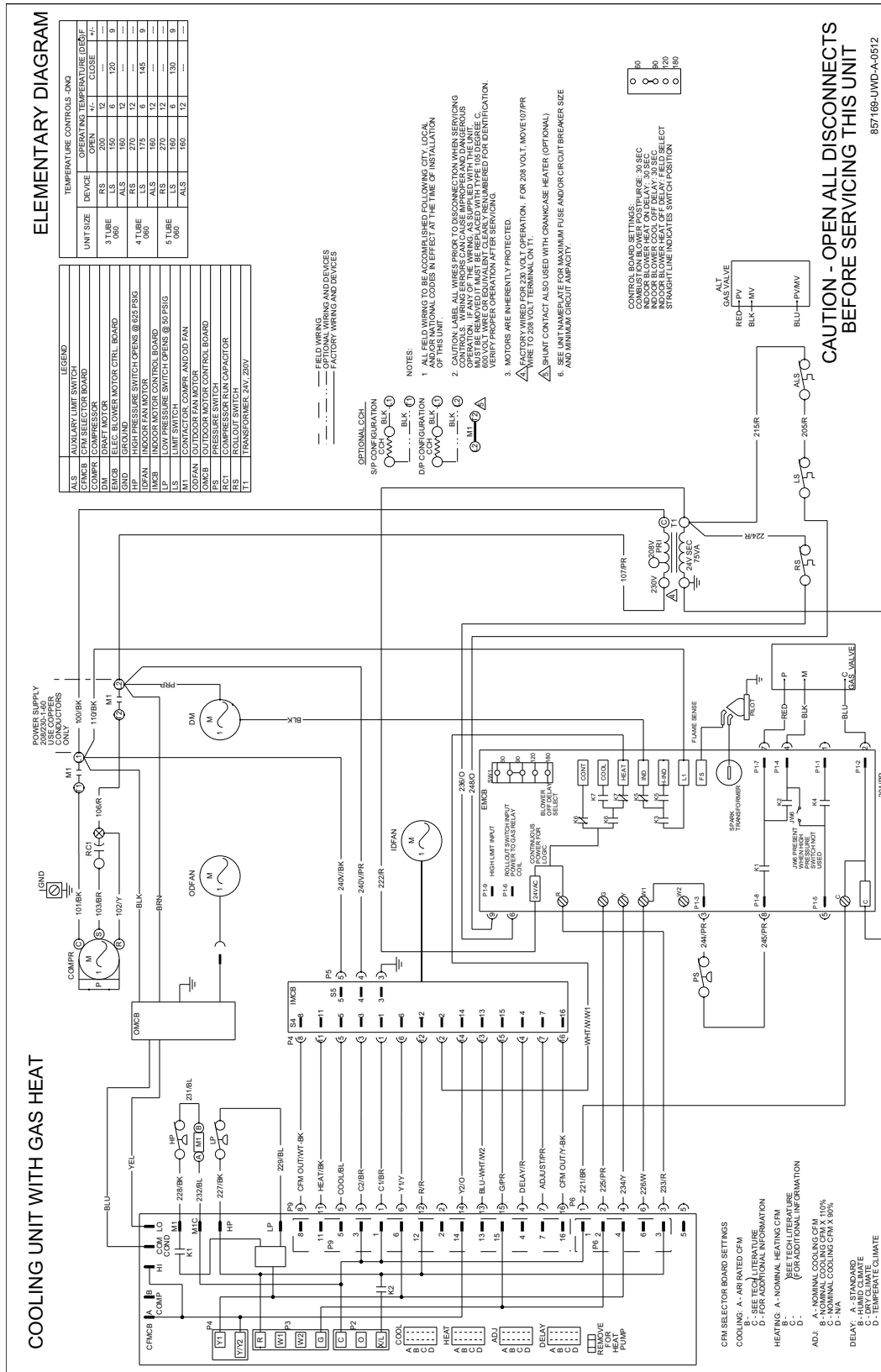




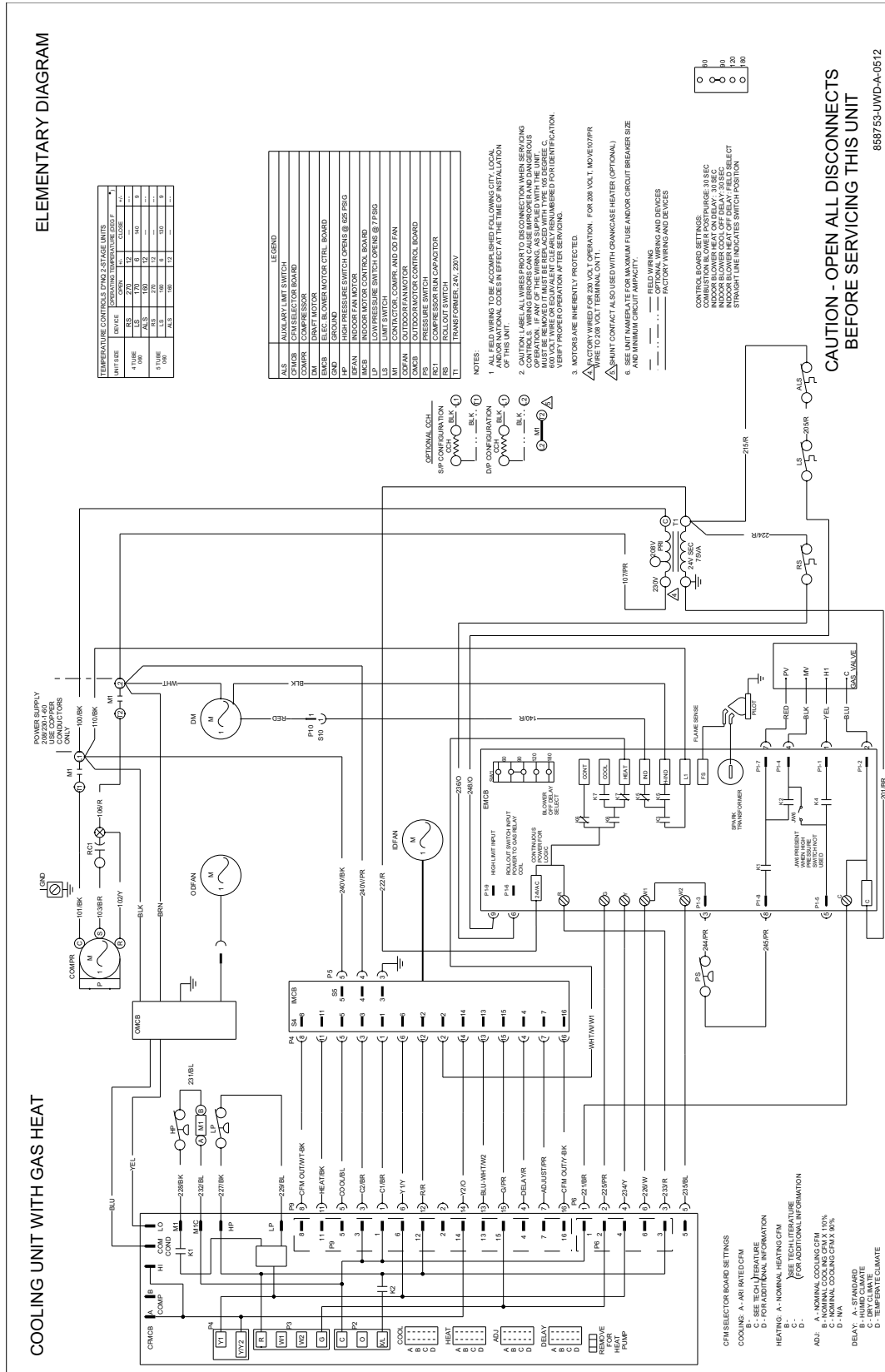
Typical DNQ024-048 Cooling Unit with Two Stage Gas Heat 208/230-1-60 volt Wiring Diagram



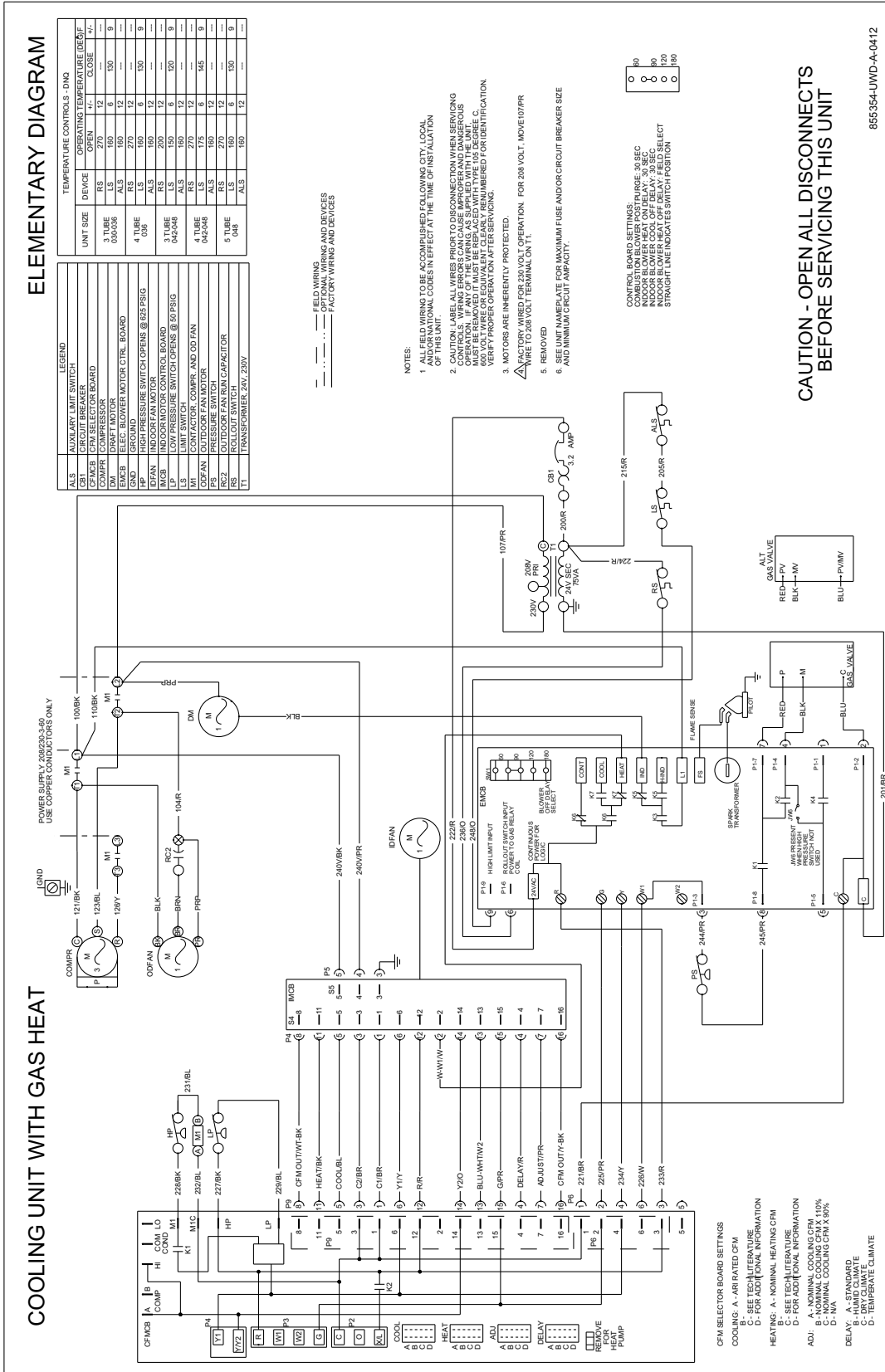
Typical DNQ060 Cooling Unit with Single Stage Gas Heat 208/230-1-60 volt Wiring Diagram



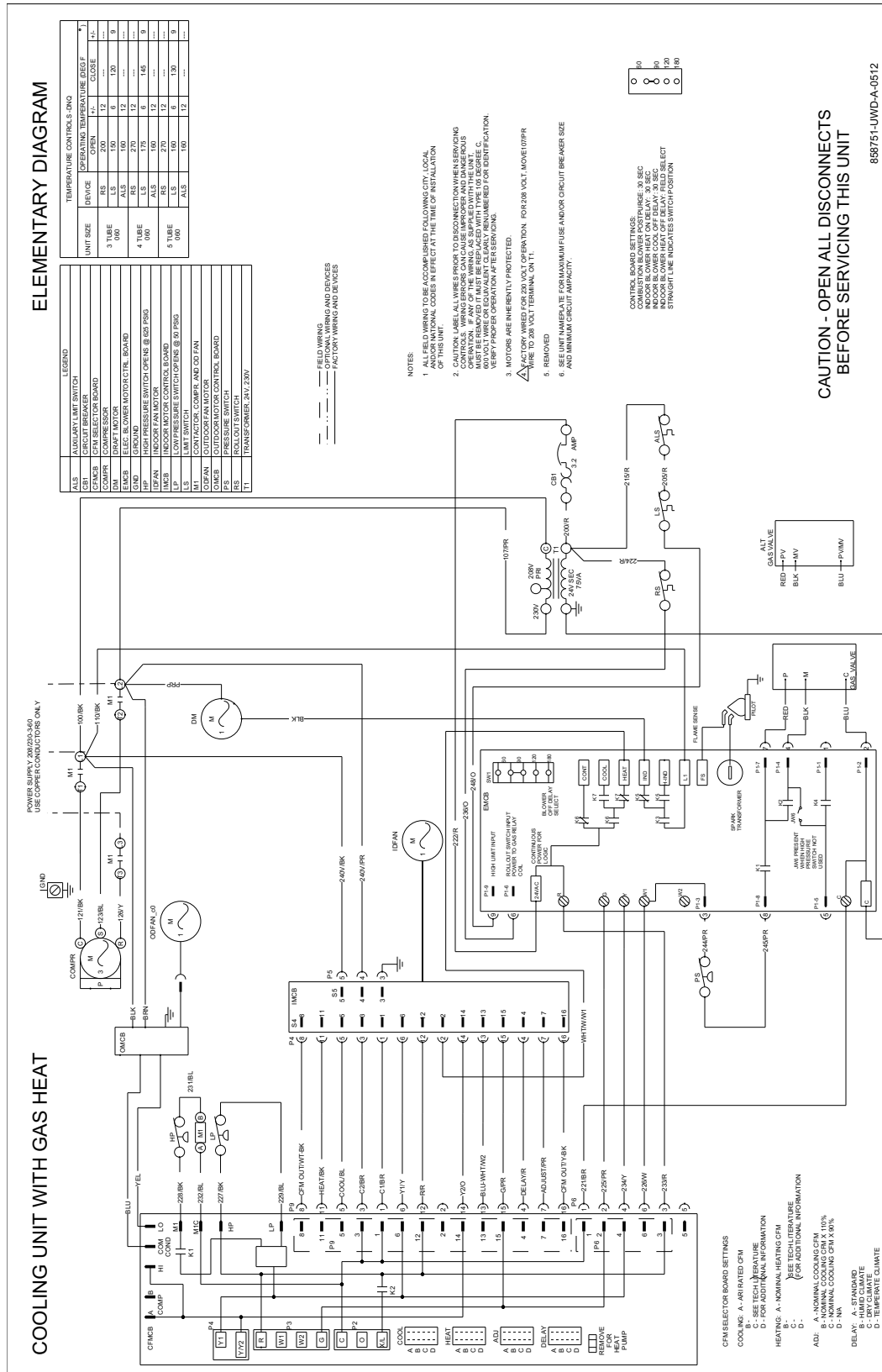
Typical DNQ060 Cooling Unit with Two Stage Gas Heat 208/230-1-60 volt Wiring Diagram



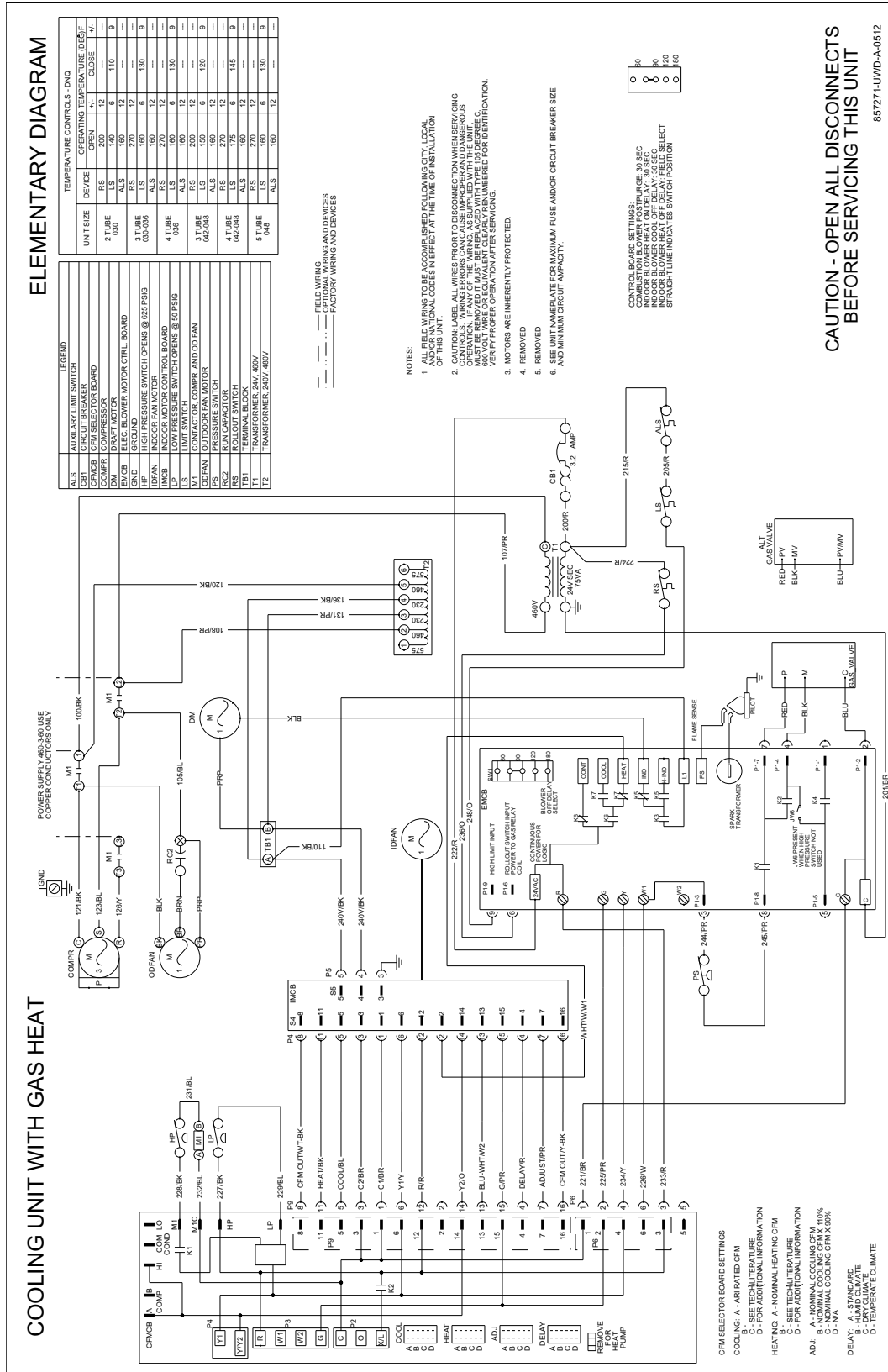
Typical DNQ036-048 Cooling Unit with Single Stage Gas Heat 208/230-3-60 volt Wiring Diagram



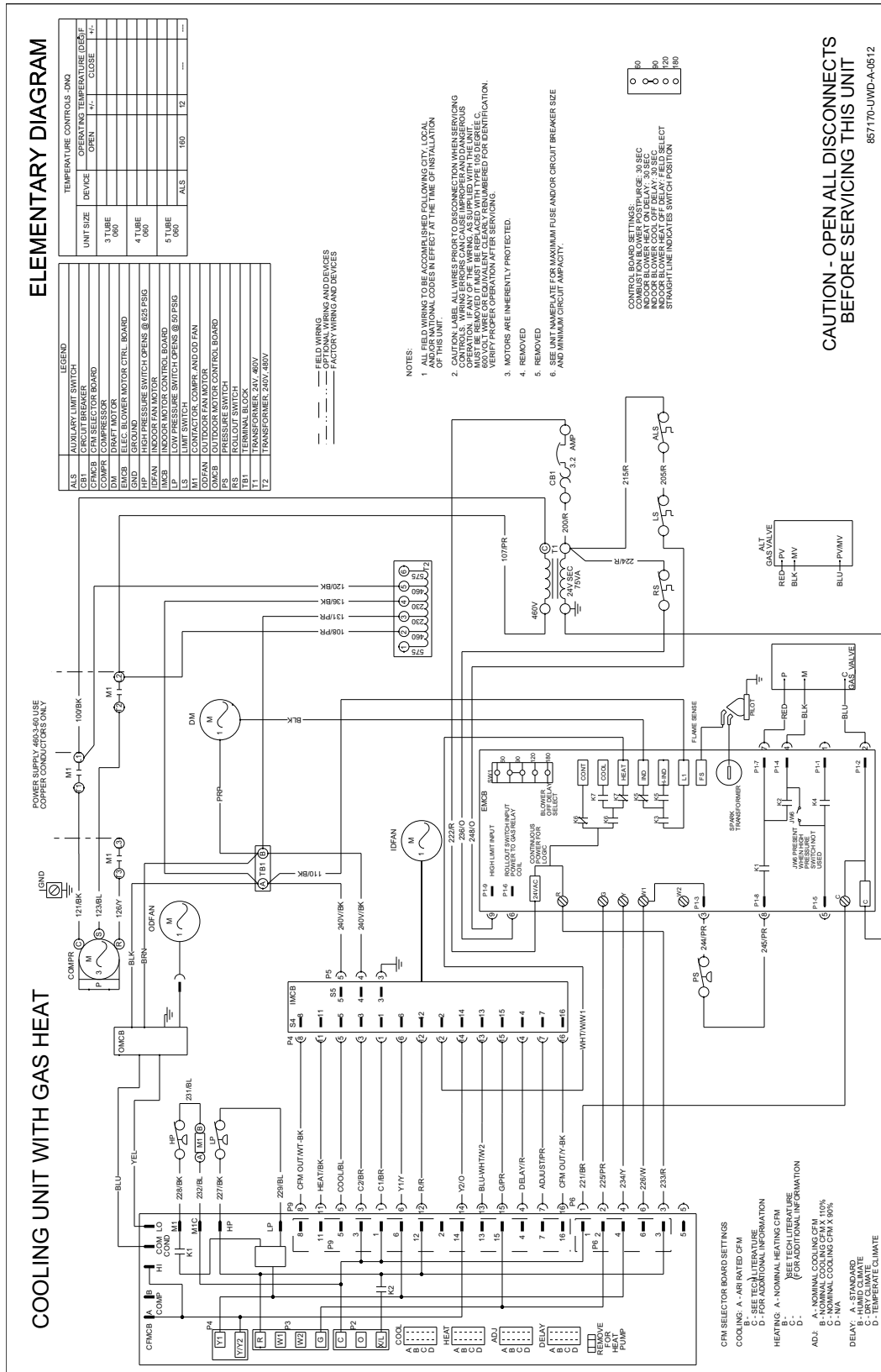
Typical DNQ060 Cooling Unit with Single Stage Gas Heat 208/230-3-60 volt Wiring Diagram



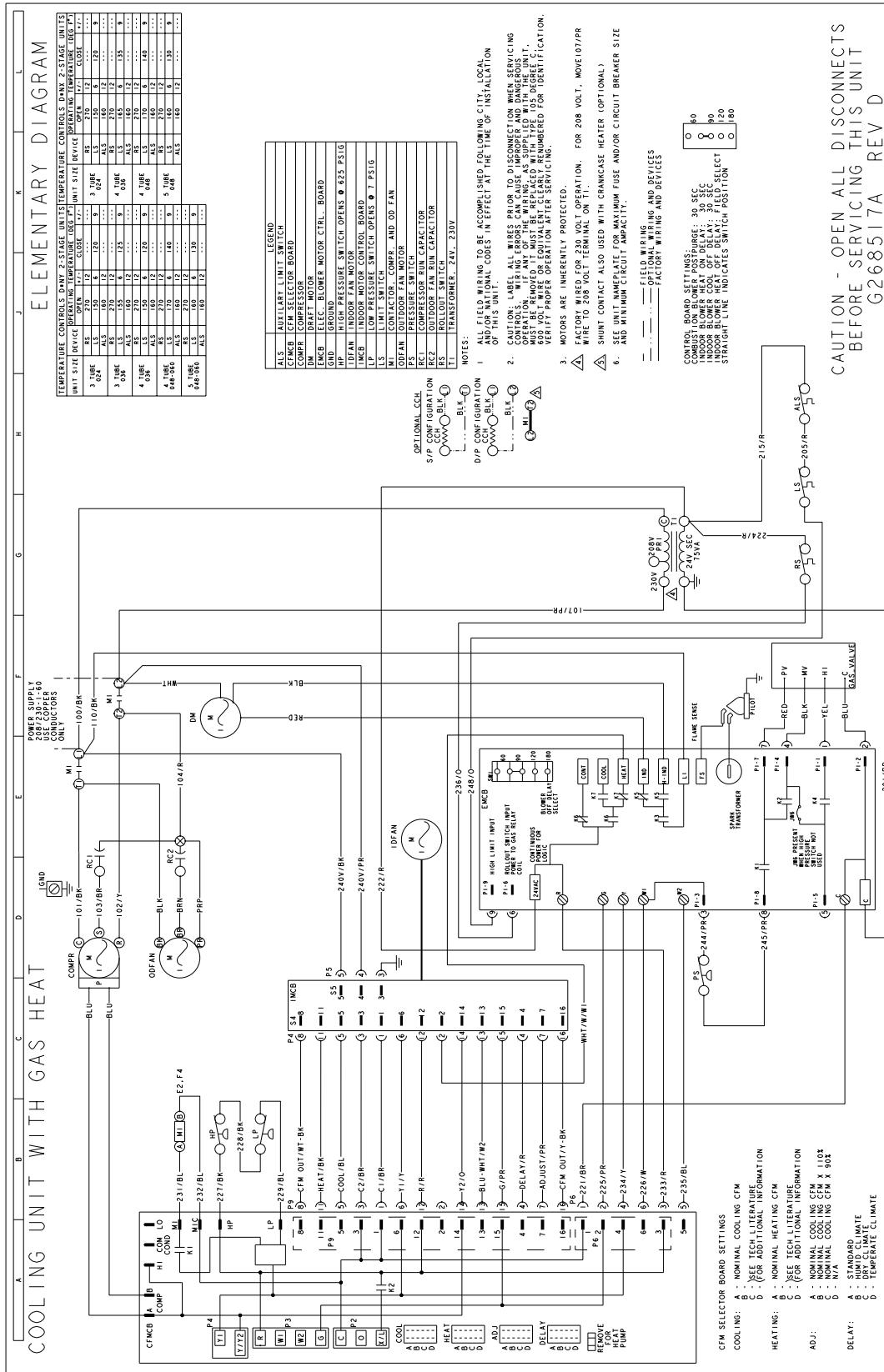
Typical DNQ036-048 Cooling Unit with Single Stage Gas Heat 460-3-60 volt Wiring Diagram



Typical DNQ060 Cooling Unit with Single Stage Gas Heat 460-3-60 volt Wiring Diagram

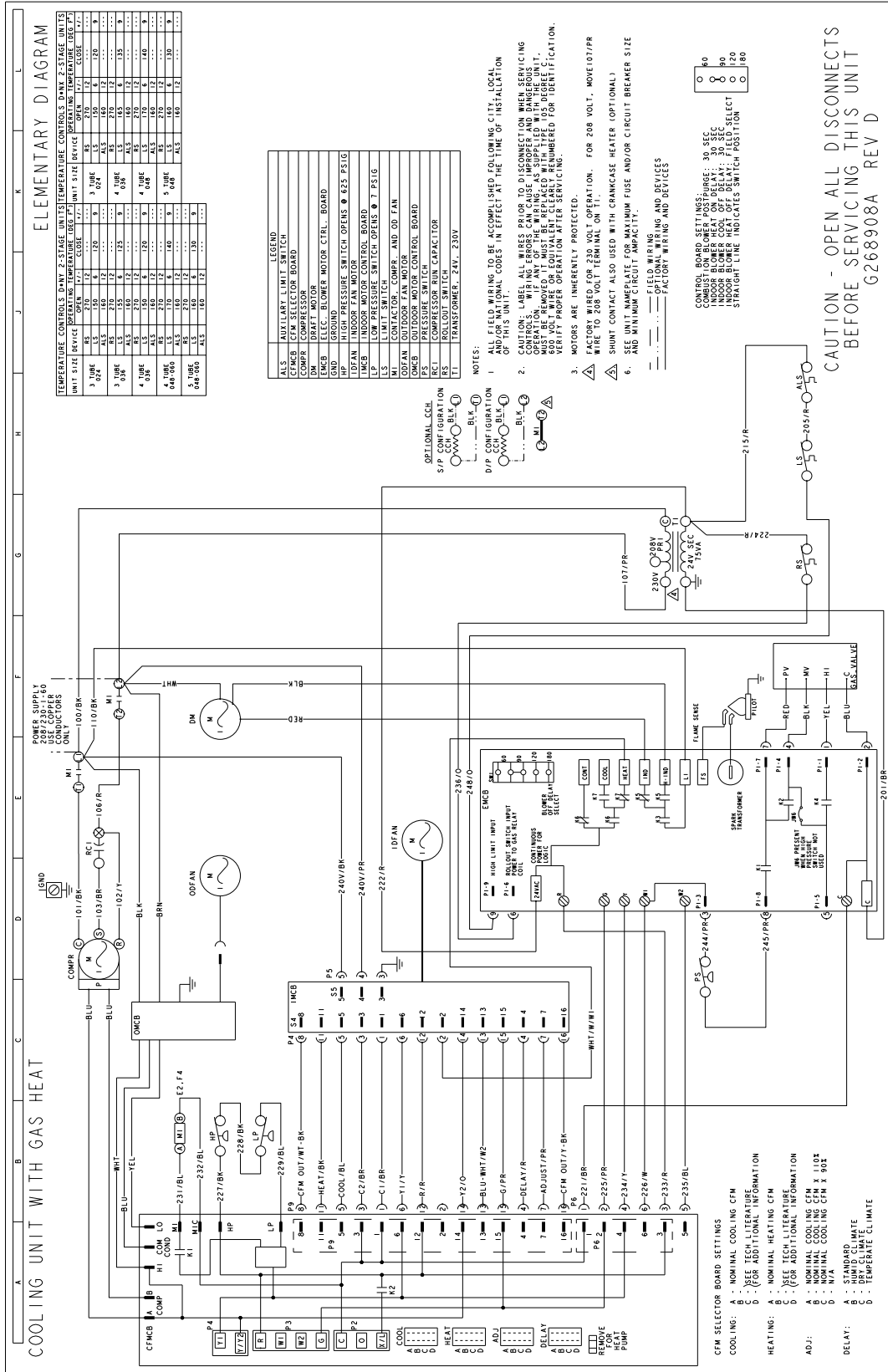


Typical DNY024-048 Cooling Unit with Two Stage Gas Heat 208/230-1-60 volt Wiring Diagram

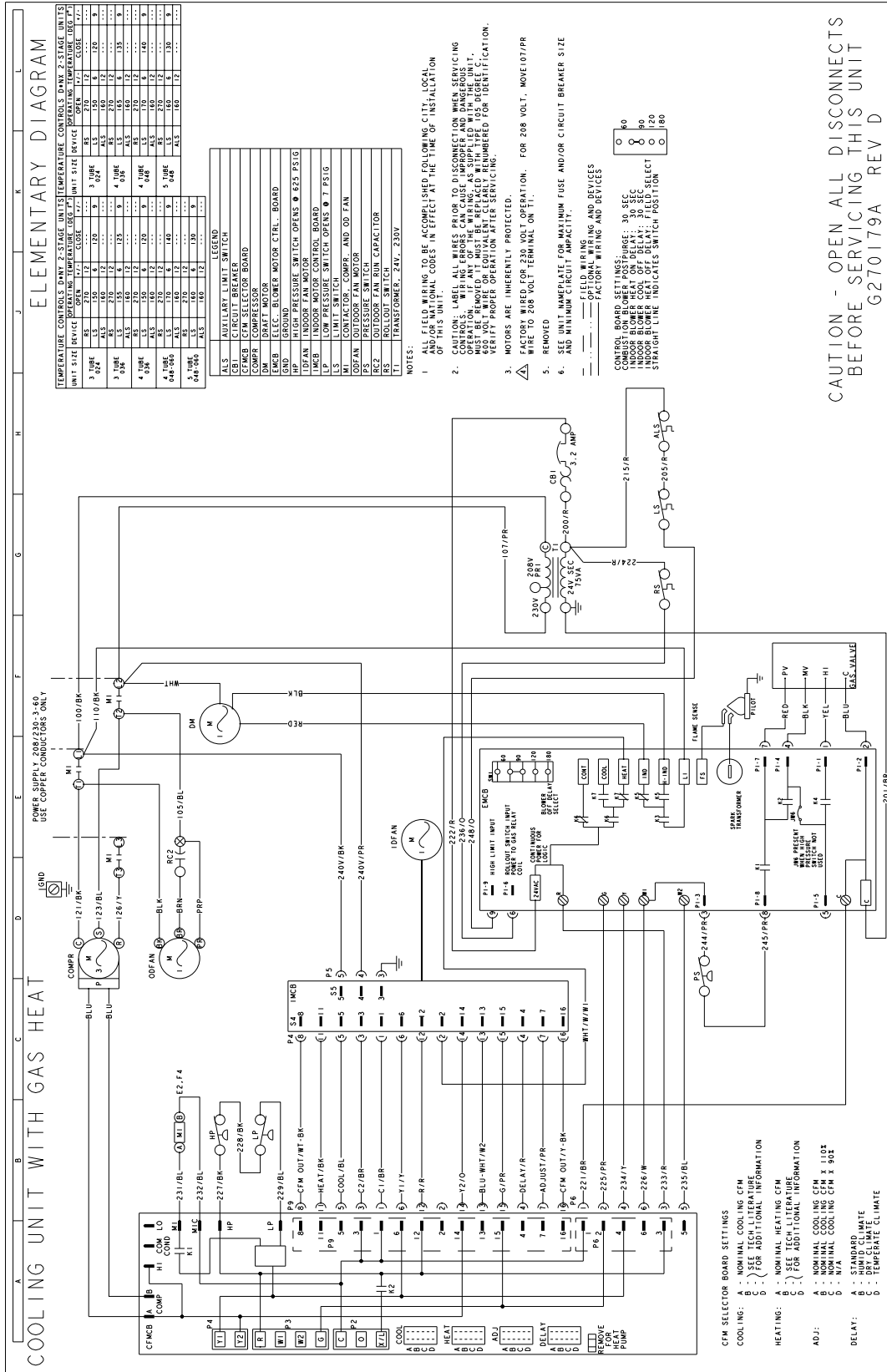




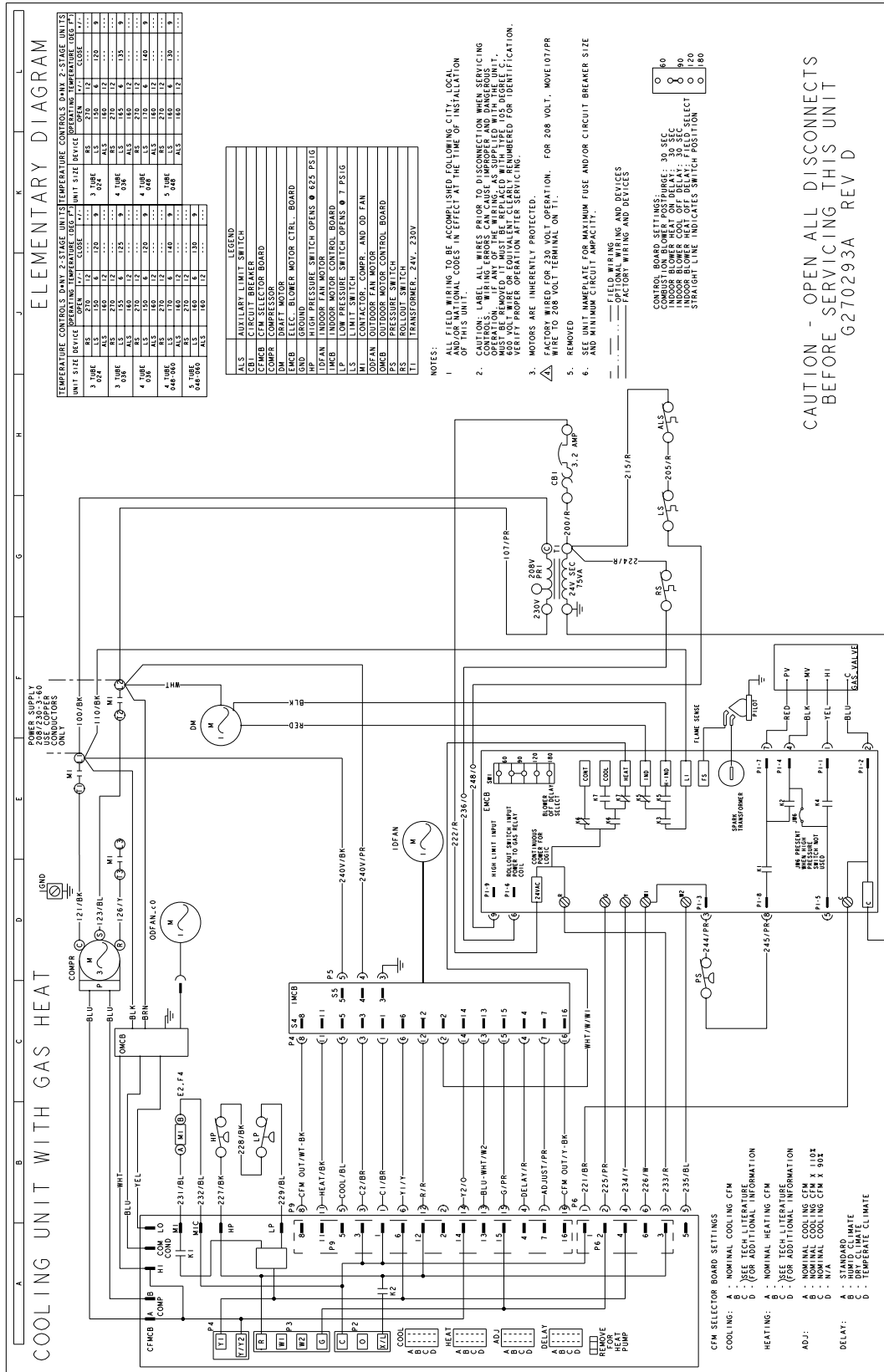
Typical DNY060 Cooling Unit with Two Stage Gas Heat 208/230-1-60 volt Wiring Diagram



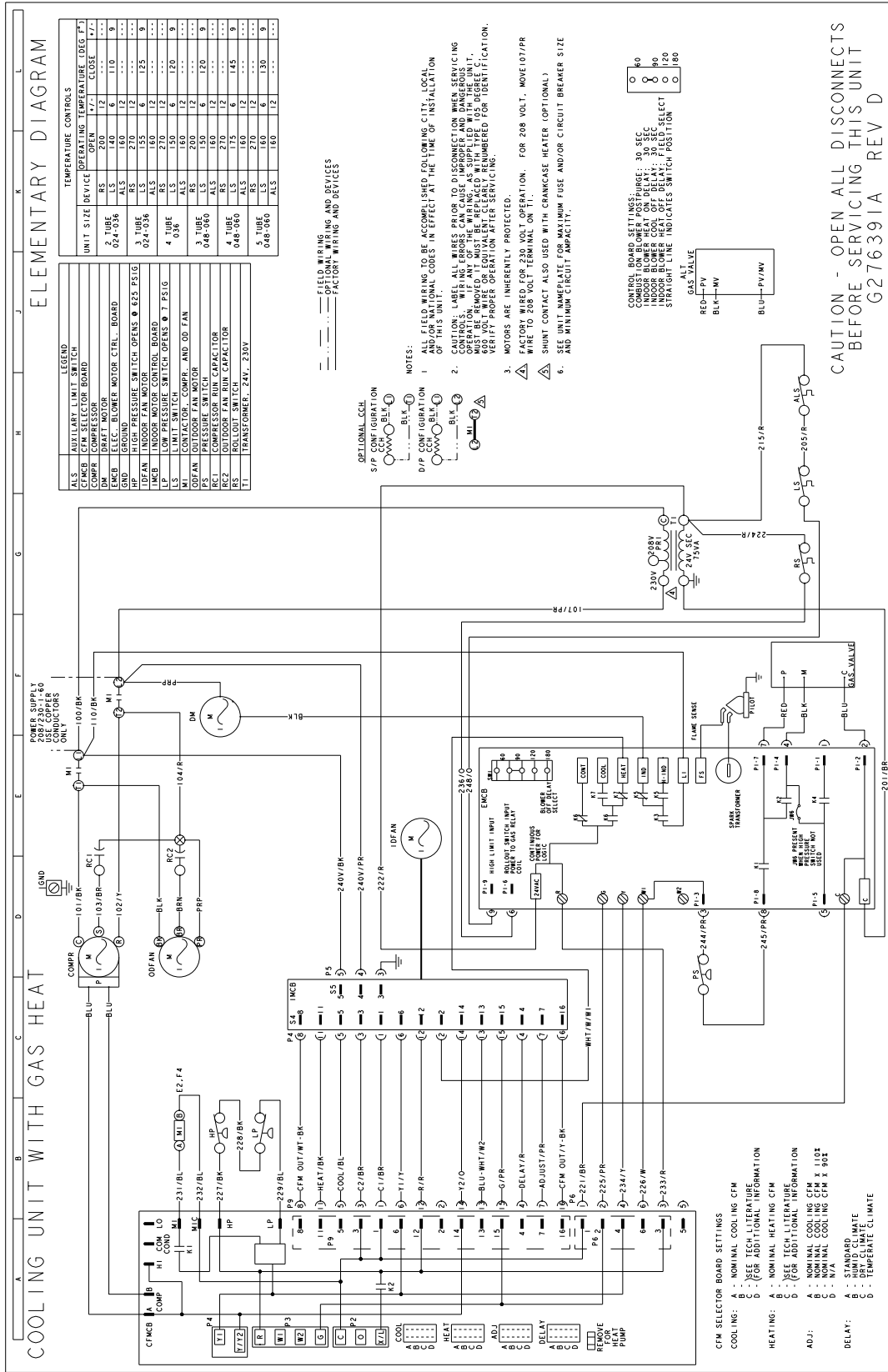
Typical DNY036-048 Cooling Unit with Two Stage Gas Heat 208/230-3-60 volt Wiring Diagram



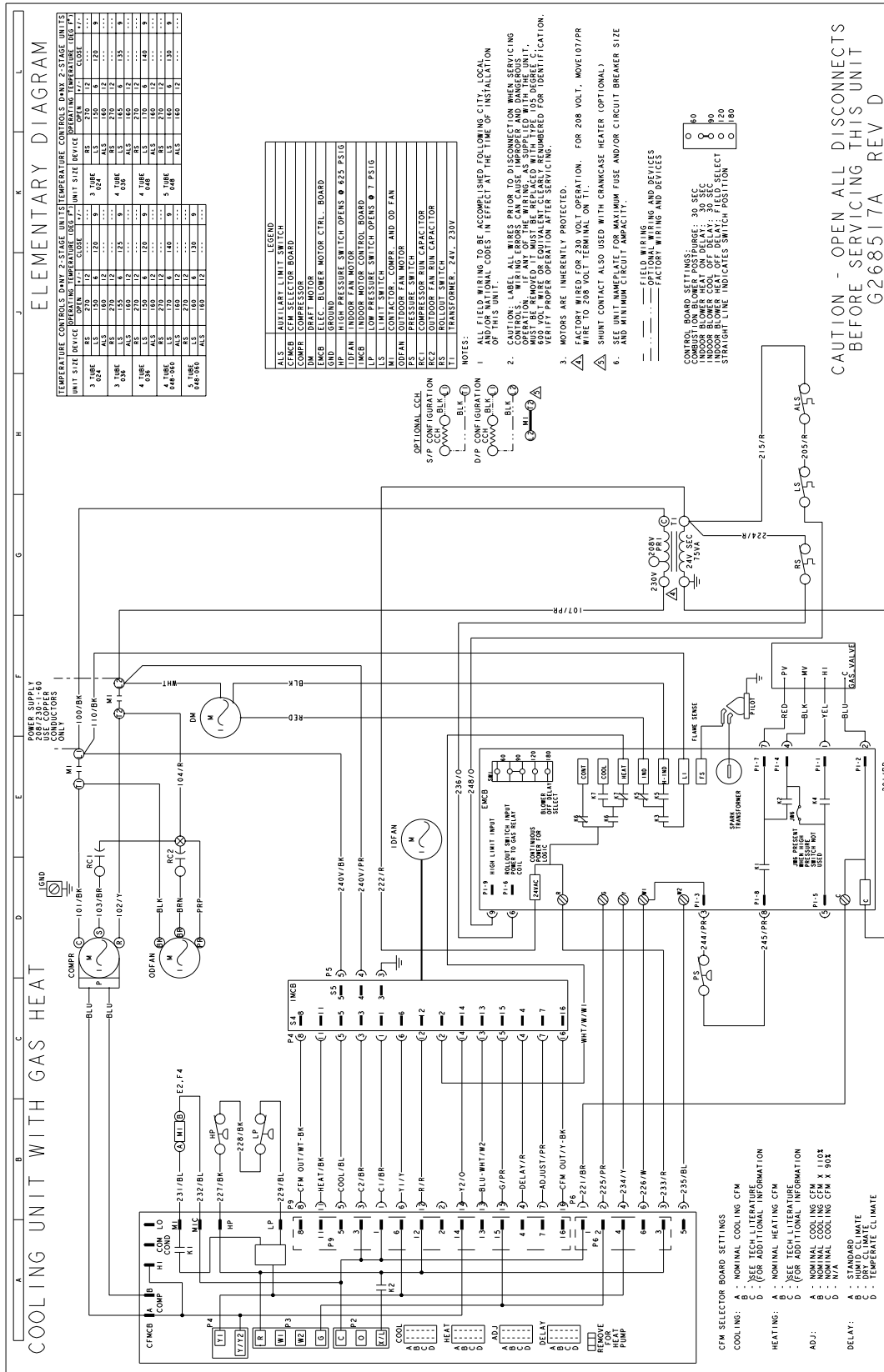
Typical DNY060 Cooling Unit with Two Stage Gas Heat 208/230-3-60 volt Wiring Diagram



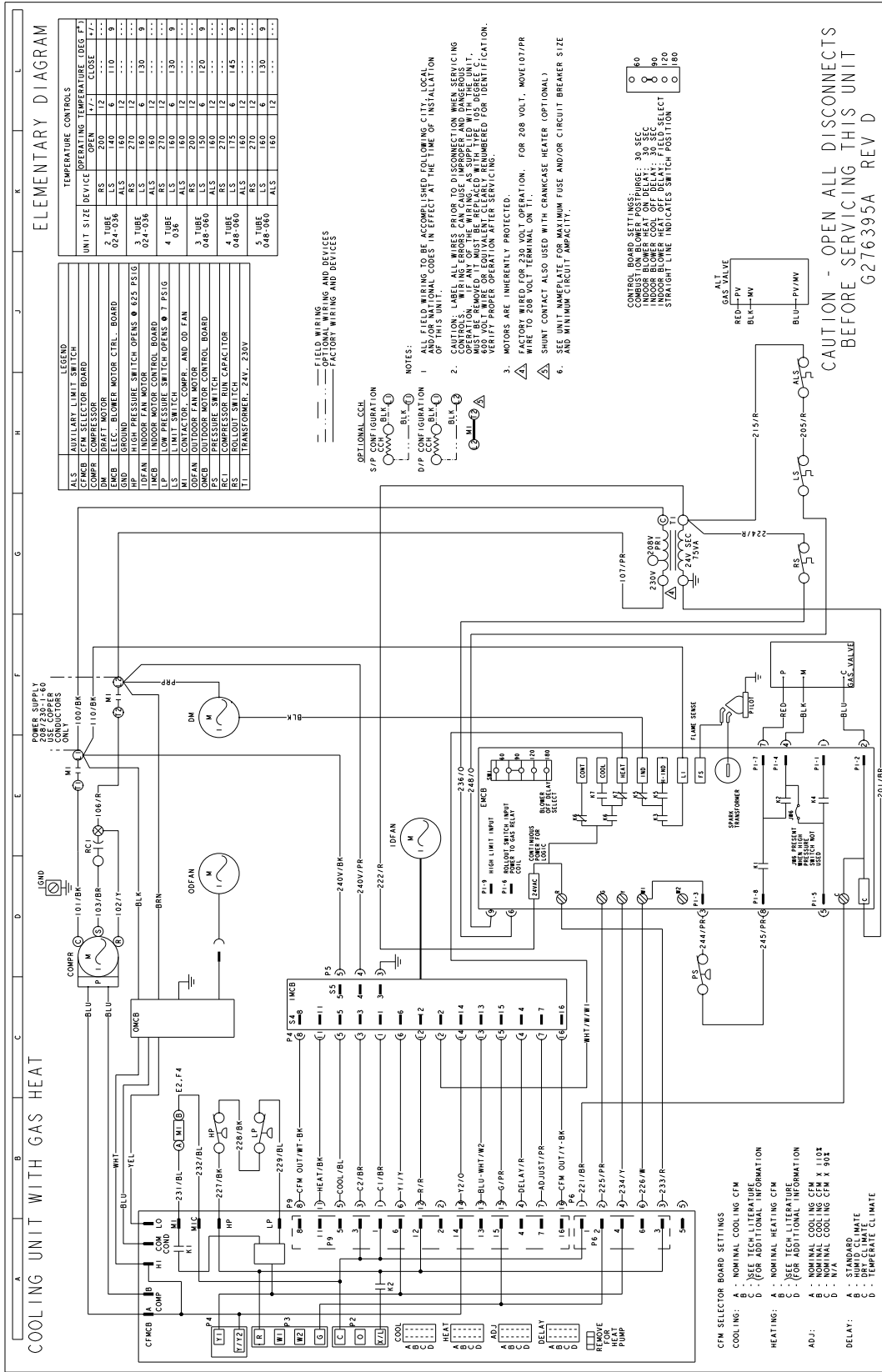
Typical DNX024 Cooling Unit with Single Stage Gas Heat 208/230-1-60 volt Wiring Diagram



Typical DNX024 Cooling Unit with Two Stage Gas Heat 208/230-1-60 volt Wiring Diagram

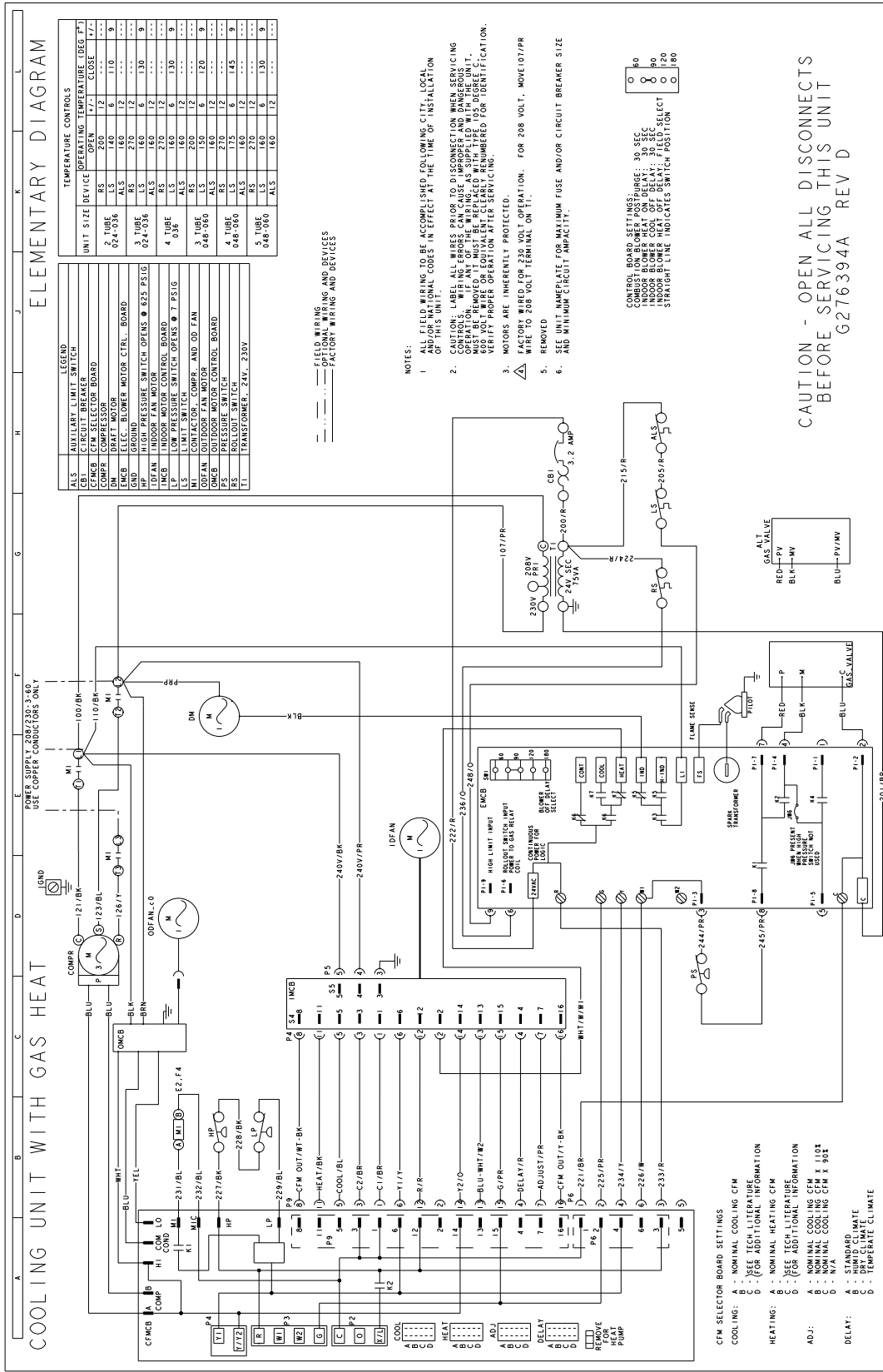


Typical DNX036-048 Cooling Unit with Single Stage Gas Heat 208/230-1-60 volt Wiring Diagram



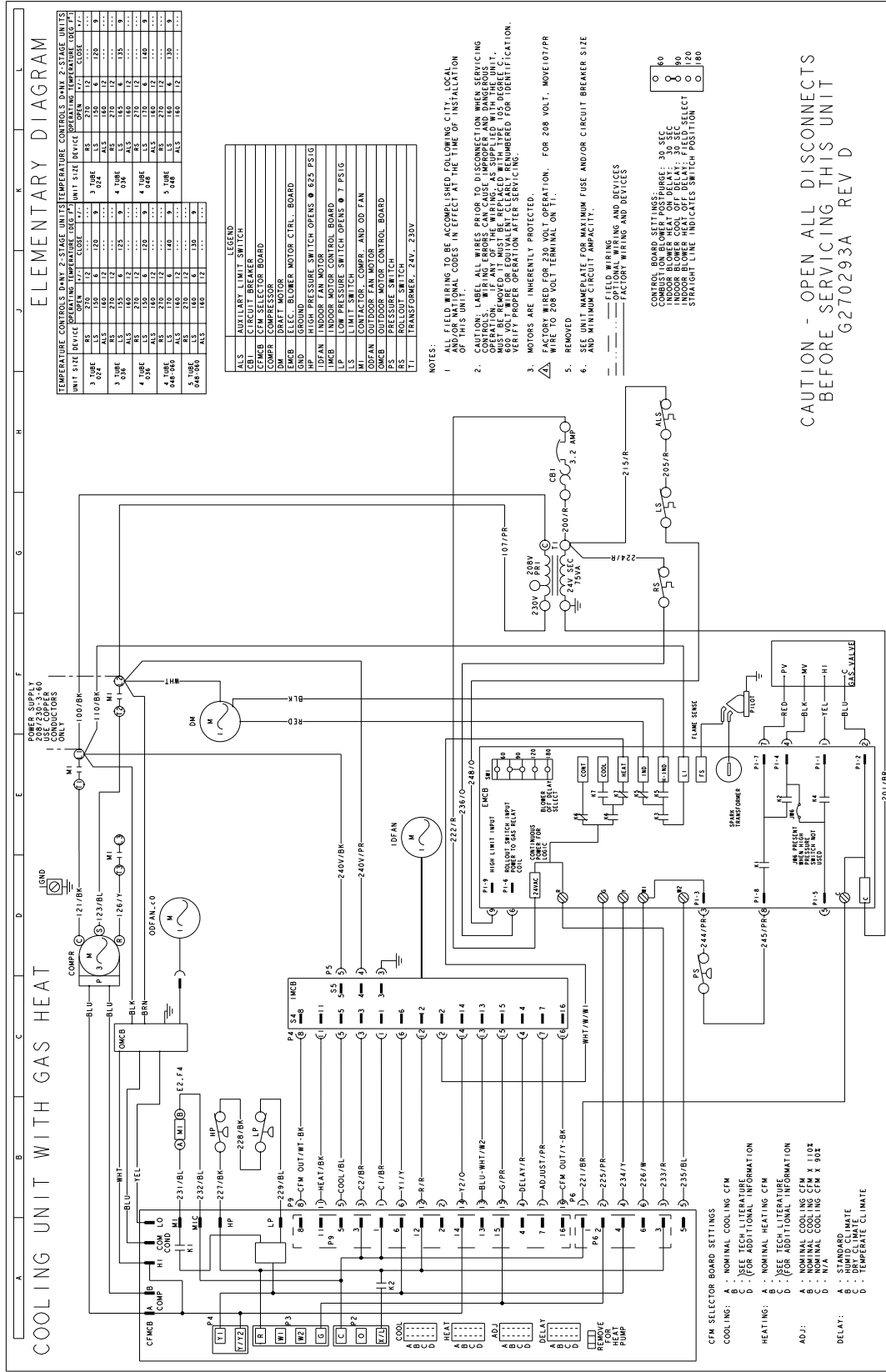


Typical DNX036-048 Cooling Unit with Single Stage Gas Heat 208/230-3-60 volt Wiring Diagram

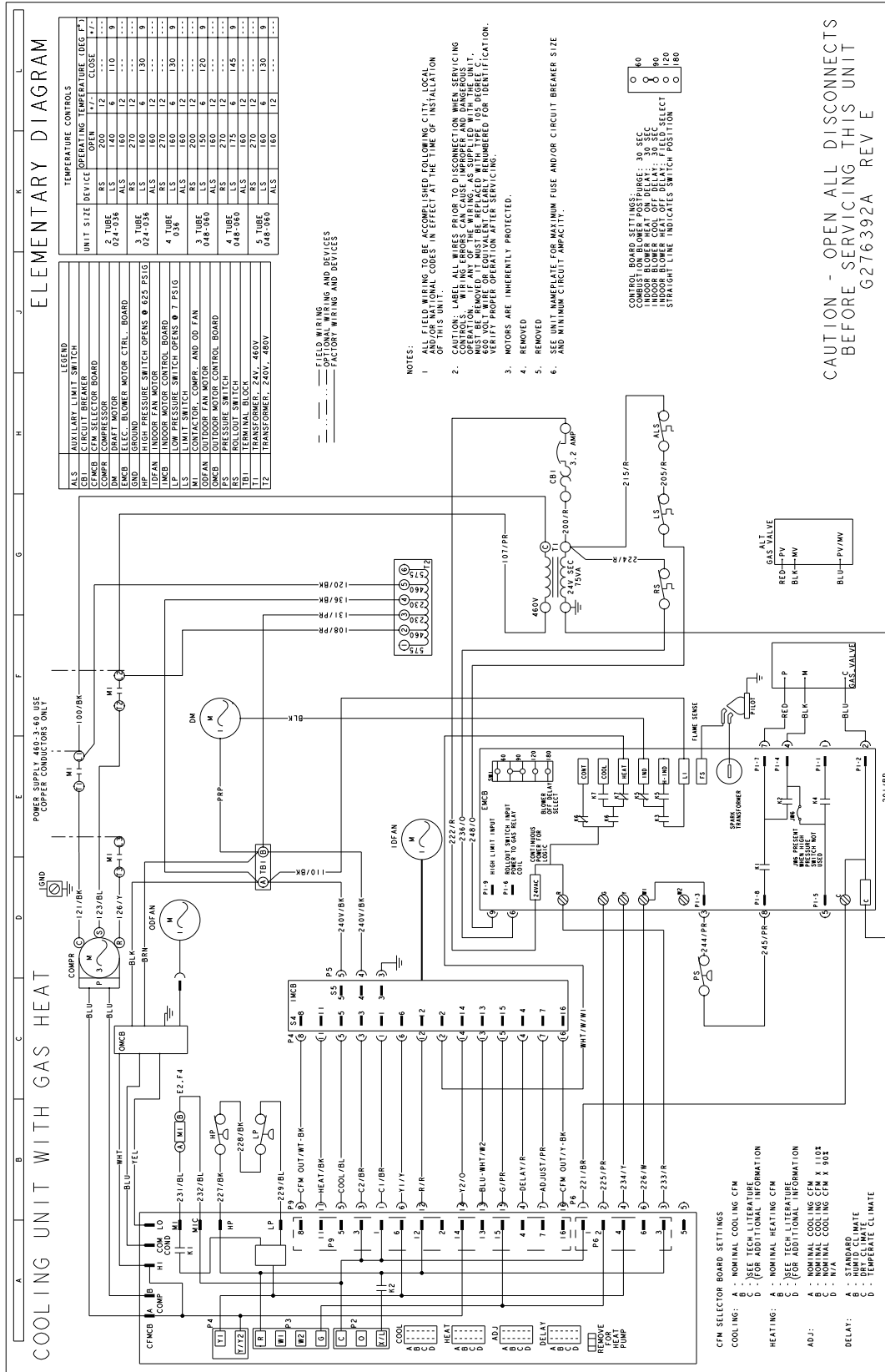




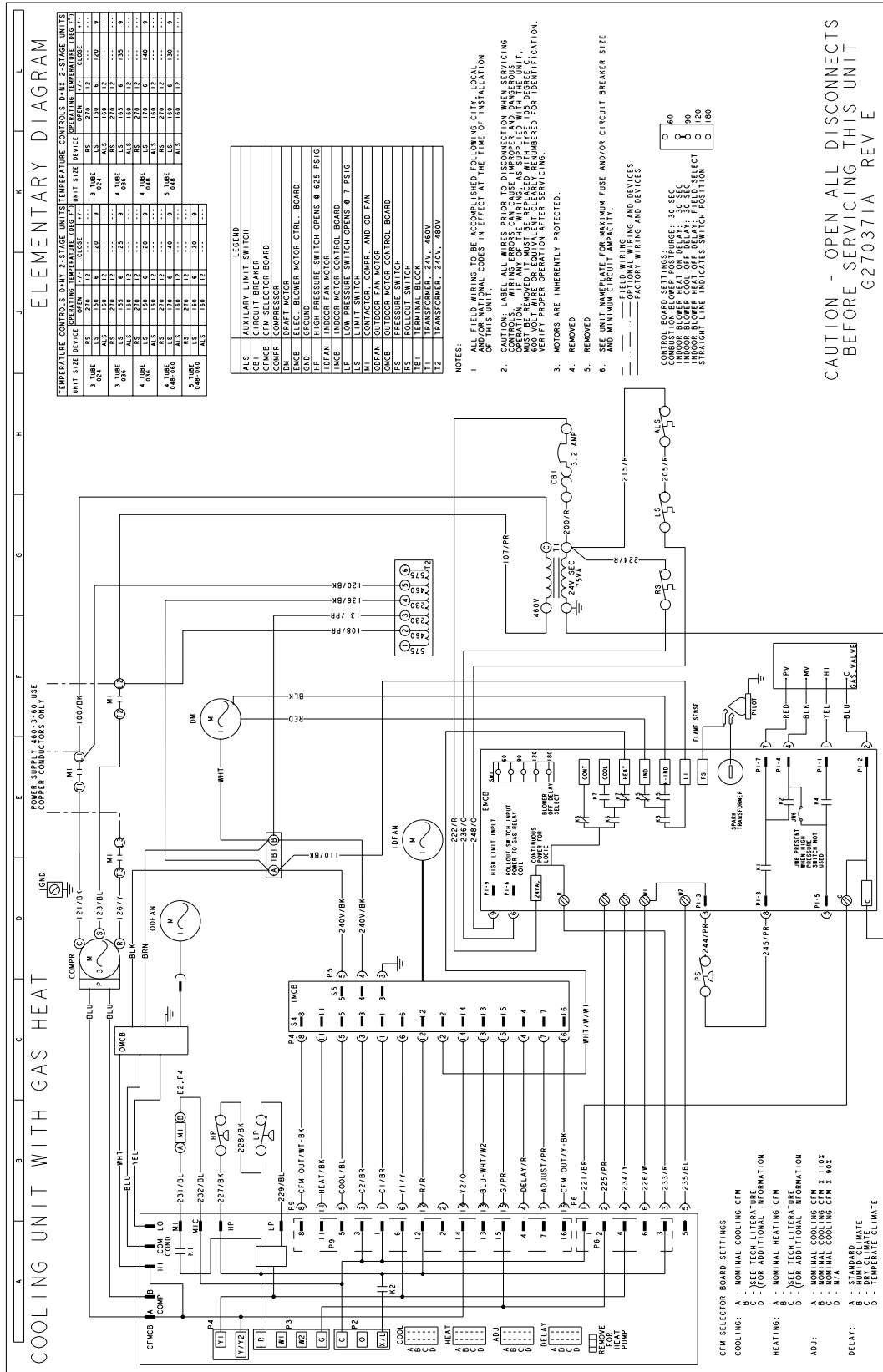
Typical DNX036-048 Cooling Unit with Two Stage Gas Heat 208/230-3-60 volt Wiring Diagram



Typical DNX036-048 Cooling Unit with Single Stage Gas Heat 460-3-60 volt Wiring Diagram



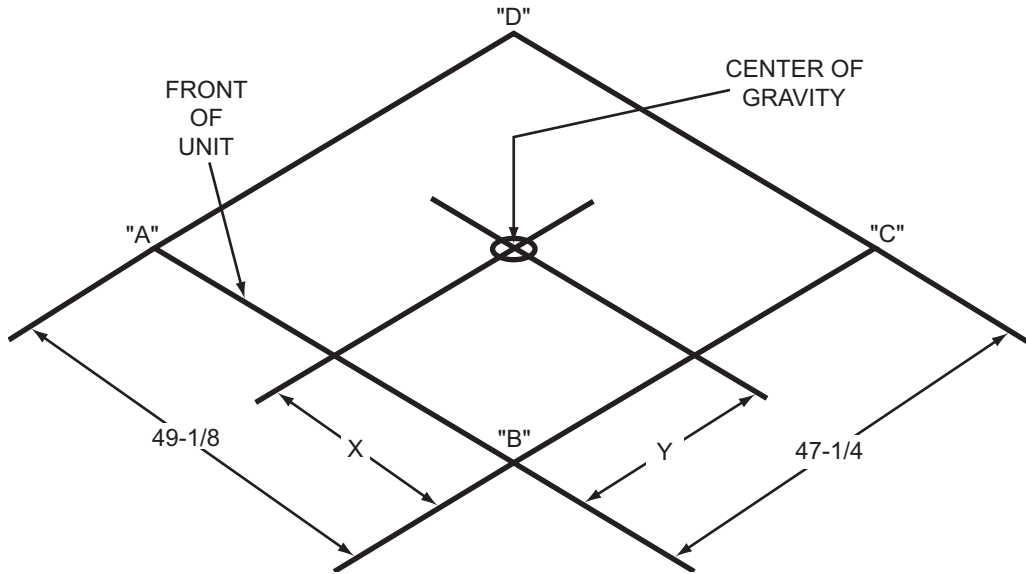
Typical DNX036-048 Cooling Unit with Two Stage Gas Heat 460-3-60 volt Wiring Diagram



## Weights and Dimensions

### DNZ/DNQ/DNY/DNX Unit Weights

#### Unit 4 Point Load Location



#### DNZ Weights and Dimensions

| Model (Tons) | Weight (lbs.) |           | Center of Gravity |      | 4 Point Load Location (lbs.) |    |     |     |
|--------------|---------------|-----------|-------------------|------|------------------------------|----|-----|-----|
|              | Shipping      | Operating | X                 | Y    | A                            | B  | C   | D   |
| DNZ024 (2.0) | 383           | 378       | 23.8              | 20   | 77                           | 77 | 112 | 112 |
| DNZ030 (2.5) | 403           | 398       | 24                | 20   | 81                           | 81 | 119 | 117 |
| DNZ036 (3.0) | 407           | 402       | 24                | 20   | 81                           | 82 | 120 | 119 |
| DNZ042 (3.5) | 465           | 460       | 22.7              | 21.3 | 105                          | 95 | 124 | 137 |
| DNZ048 (4.0) | 470           | 465       | 22.7              | 21.3 | 106                          | 96 | 125 | 138 |
| DNZ060 (5.0) | 485           | 480       | 23                | 21   | 106                          | 99 | 132 | 142 |

#### DNQ Weights and Dimensions

| Model (Tons) | Weight (lbs.) |           | Center of Gravity |       | 4 Point Load Location (lbs.) |     |     |     |
|--------------|---------------|-----------|-------------------|-------|------------------------------|-----|-----|-----|
|              | Shipping      | Operating | X                 | Y     | A                            | B   | C   | D   |
| DNQ024 (2.0) | 395           | 390       | 20                | 24.5  | 113                          | 81  | 82  | 114 |
| DNQ030 (2.5) | 430           | 425       | 20                | 24.25 | 122                          | 88  | 90  | 125 |
| DNQ036 (3.0) | 435           | 430       | 20                | 24.25 | 123                          | 89  | 91  | 127 |
| DNQ042 (3.5) | 490           | 485       | 20                | 24    | 138                          | 99  | 104 | 144 |
| DNQ048 (4.0) | 495           | 490       | 20                | 24    | 139                          | 100 | 105 | 146 |
| DNQ060 (5.0) | 535           | 530       | 20                | 24    | 150                          | 108 | 114 | 158 |

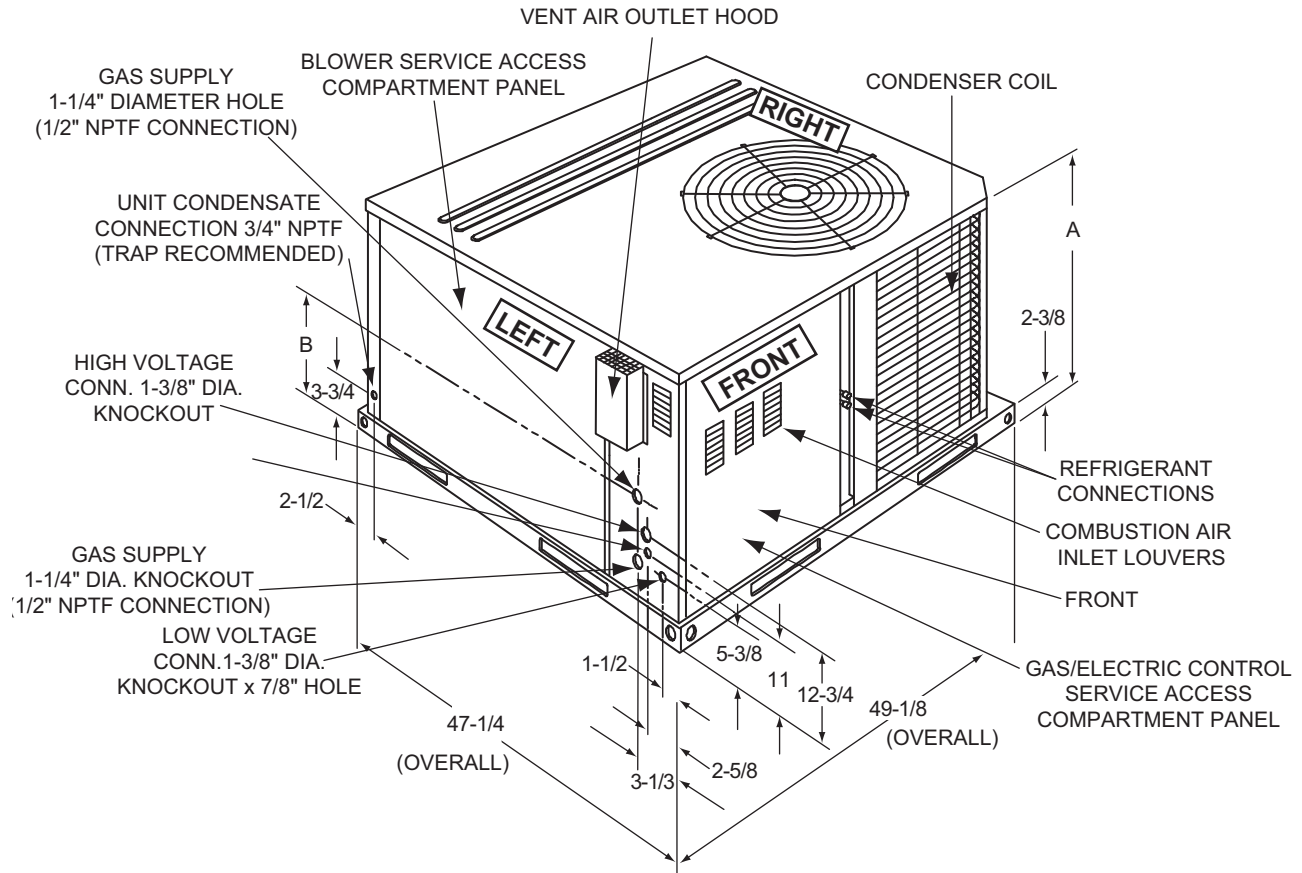
**DNY Weights and Dimensions**

| Model<br>(Tons) | Weight (lbs.) |           | Center of Gravity |       | 4 Point Load Location (lbs.) |     |     |     |
|-----------------|---------------|-----------|-------------------|-------|------------------------------|-----|-----|-----|
|                 | Shipping      | Operating | X                 | Y     | A                            | B   | C   | D   |
| DNY024<br>(2.0) | 405           | 400       | 20                | 24.5  | 116                          | 84  | 84  | 117 |
| DNY036<br>(3.0) | 445           | 440       | 20                | 24.25 | 126                          | 91  | 93  | 129 |
| DNY048<br>(4.0) | 505           | 500       | 20                | 24    | 142                          | 102 | 107 | 149 |
| DNY060<br>(5.0) | 545           | 540       | 20                | 24    | 153                          | 110 | 116 | 161 |

**DNX Weights and Dimensions**

| Model<br>(Tons) | Weight (lbs.) |           | Center of Gravity |       | 4 Point Load Location (lbs.) |     |     |     |
|-----------------|---------------|-----------|-------------------|-------|------------------------------|-----|-----|-----|
|                 | Shipping      | Operating | X                 | Y     | A                            | B   | C   | D   |
| DNX024<br>(2.0) | 445           | 440       | 20                | 24.5  | 127                          | 93  | 93  | 127 |
| DNX036<br>(3.0) | 445           | 440       | 20                | 24.25 | 126                          | 91  | 93  | 129 |
| DNX048<br>(4.0) | 505           | 500       | 20                | 24    | 142                          | 102 | 107 | 149 |

**Gas Unit Dimensions**



**DNZ Unit Dimensions Front**

| Unit Model        | Dimensions |        |
|-------------------|------------|--------|
|                   | "A"        | "B"    |
| DNZ 024, 030, 036 | 33-1/2     | 18-1/4 |
| DNZ 042, 048, 060 | 41-1/2     | 23-1/8 |

**DNQ Unit Dimensions Front**

| Unit Model        | Dimensions |        |
|-------------------|------------|--------|
|                   | "A"        | "B"    |
| DNQ 024, 030, 036 | 33-1/2     | 18-1/4 |
| DNQ 042, 048, 060 | 41-1/2     | 23-1/8 |

**DNY Unit Dimensions Front**

| Unit Model   | Dimensions |        |
|--------------|------------|--------|
|              | "A"        | "B"    |
| DNY 024, 036 | 33-1/2     | 18-1/4 |
| DNY 048, 060 | 41-1/2     | 23-1/8 |

**DNX Unit Dimensions**

| Unit Model   | Dimensions |        |
|--------------|------------|--------|
|              | "A"        | "B"    |
| DNX 024      | 33-1/2     | 18-1/4 |
| DNX 036, 048 | 41-1/2     | 23-1/8 |

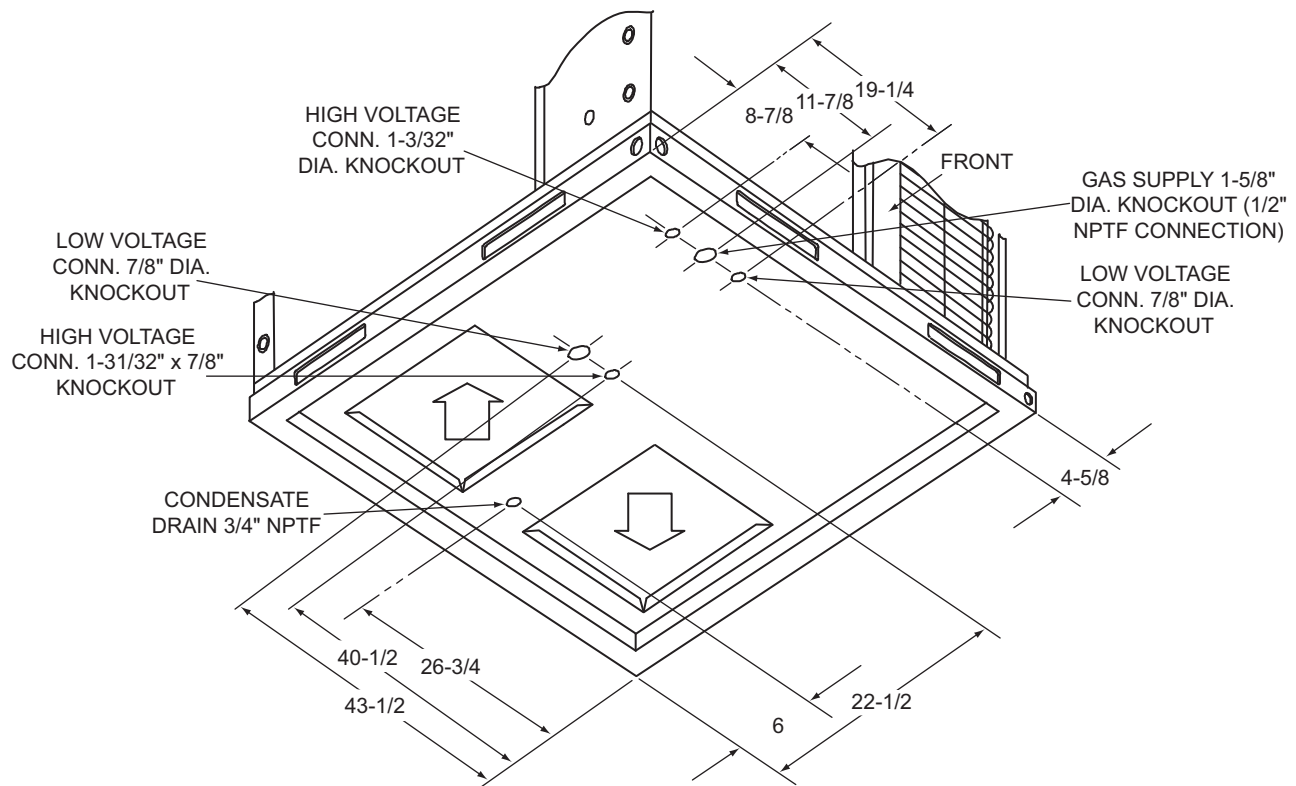
**DNZ/DNQ/DNY/DNX Gas Unit Clearances<sup>1 2</sup>**

| Direction        | Distance (in.) | Direction           | Distance (in.) |
|------------------|----------------|---------------------|----------------|
| Top <sup>3</sup> | 36             | Right               | 12             |
| Front            | 36             | Left                | 24             |
| Rear             | 0              | Bottom <sup>4</sup> | 0              |

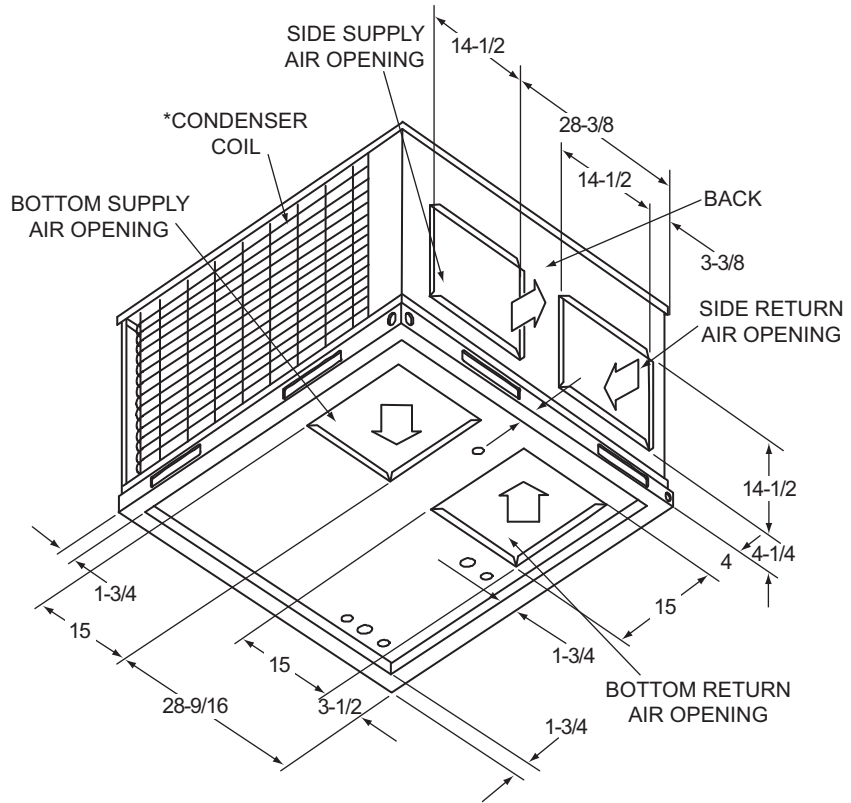
1. A 1" clearance must be provided between any combustible material and the supply air duct work.
2. The products of combustion must not be allowed to accumulate within a confined space and recirculate.
3. Units must be installed outdoors. Over hanging structure or shrubs should not obscure condenser air discharge outlet.
4. Units may be installed on combustible floors made from wood or class A, B or C roof covering materials.

**DNZ/DNQ/DNY/DNX Unit Accessory Weights**

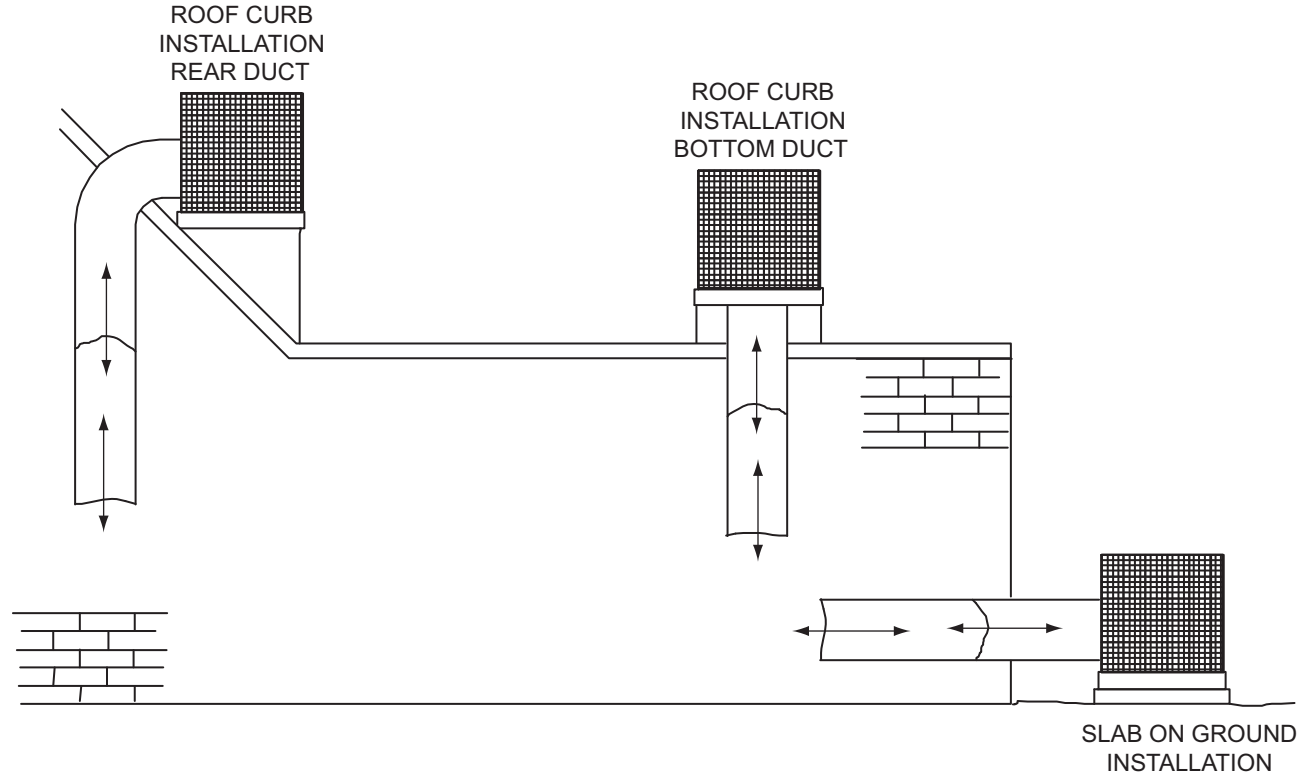
| Unit Accessory | Model | Weight (lbs.) |           |
|----------------|-------|---------------|-----------|
|                |       | Shipping      | Operating |
| Add Economizer | All   | 45            | 40        |

**Unit Dimensions Front and Bottom**

**Unit Dimensions Back and Bottom**

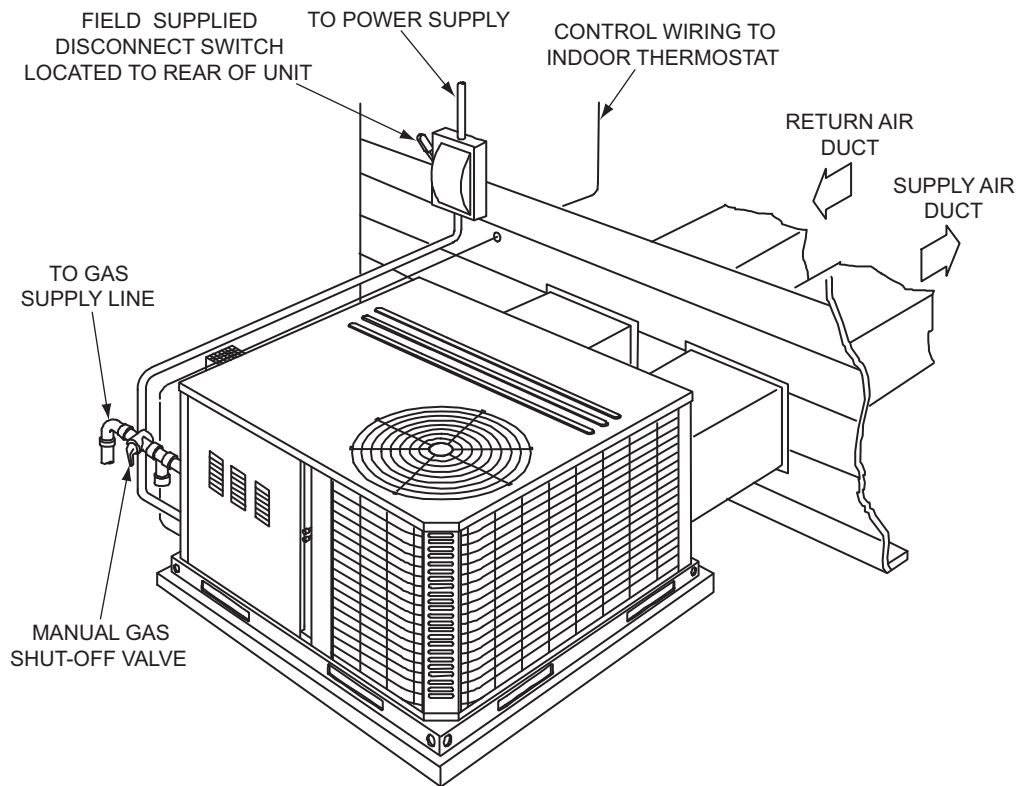


**Unit Typical Duct Applications**

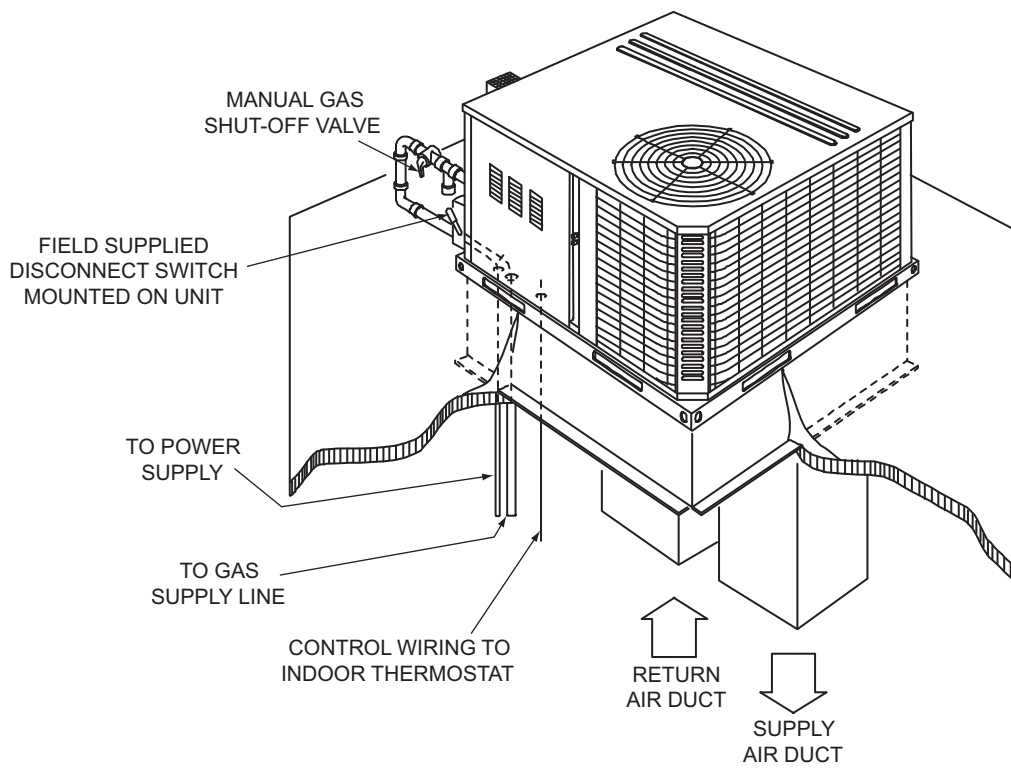




### Unit Typical Slab on Ground Installation (Gas Model Shown)

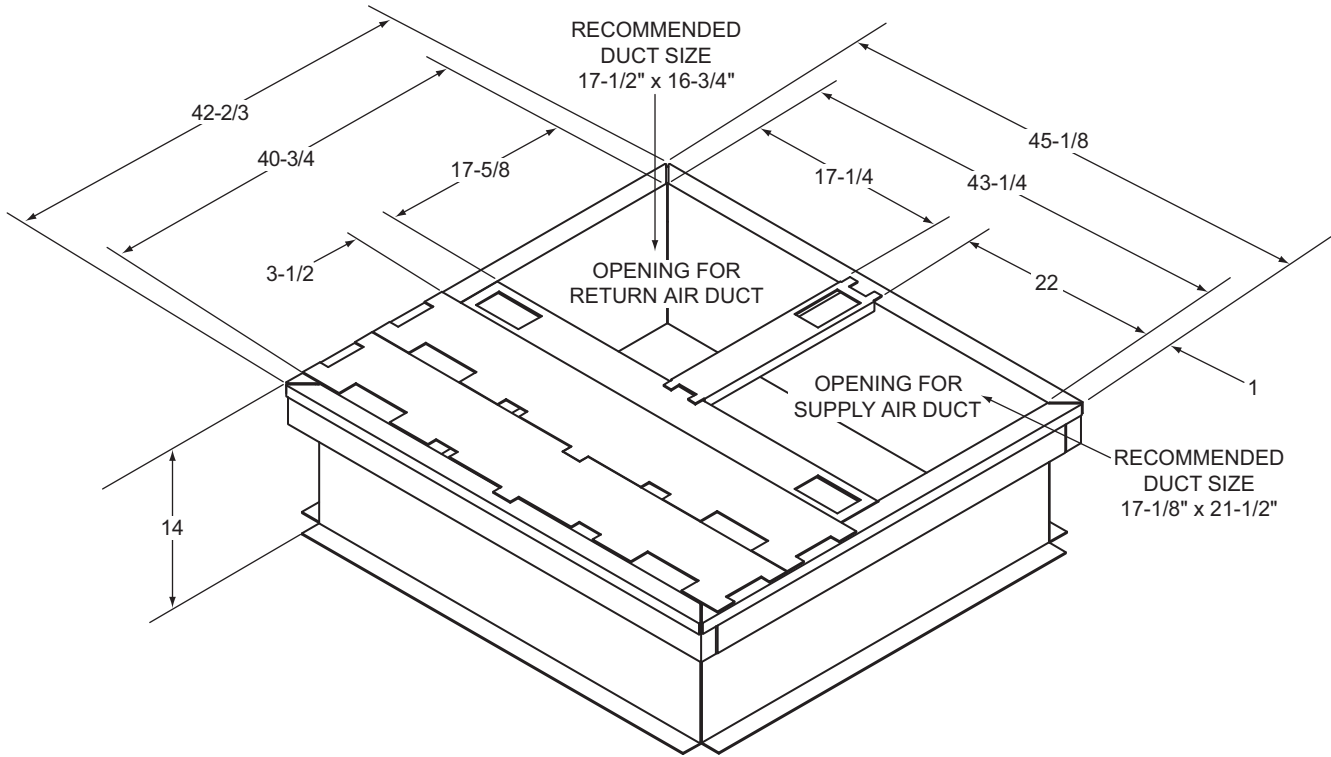


### Unit Typical Roof Curb Installation (Gas Model Shown)

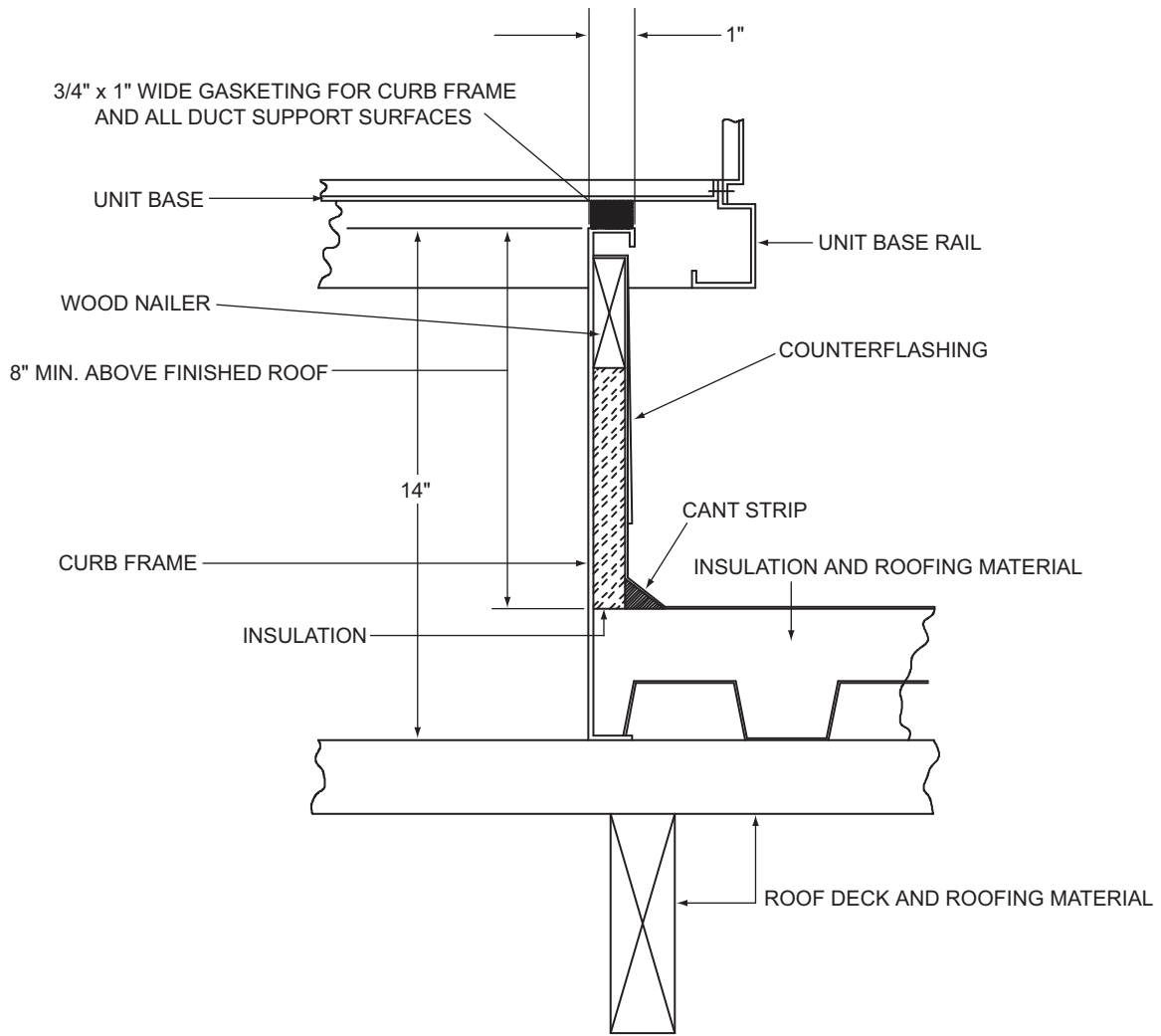


### Unit Accessory Dimensions

#### Roof Curb<sup>1</sup>



1. 8" Roof Curb also available.

**Roof Curb Cross Section**

Subject to change without notice. Printed in U.S.A.  
Copyright © 2014 by Johnson Controls, Inc. All rights reserved.

718444-YTG-F-0214  
Supersedes: 718444-YTG-E-0613

---

**York International Corporation**  
**5005 York Drive**  
**Norman, OK 73069**