



Technical Guide

LX SERIES SPLIT-SYSTEM HEAT PUMPS 13 SEER - R-410A - 1 PHASE 1.5 THRU 5 NOMINAL TONS

MODELS: YHJD18 THRU 60



Due to continuous product improvement, specifications are subject to change without notice.

Visit us on the web at www.upgnet.com and www.york.com

Additional rating information can be found at www.ahridirectory.org

WARRANTY SUMMARY*

Standard 5-year limited parts warranty.

Standard 10-year limited compressor warranty.

Extended 10-year limited parts warranty when product is registered online within 90 days of purchase for replacement or closing for new home construction.

*Does not apply to R-22 models, 3-Phase models, or internet sales. See Limited Warranty certificate in User's Information Manual for details.

DESCRIPTION

The 13 SEER Series unit is the outdoor part of a versatile climate system. It is designed with a matching indoor coil component from Johnson Controls Unitary Products. Available for typical applications this climate system is supported with accessories and documents to serve specific functions.

FEATURES

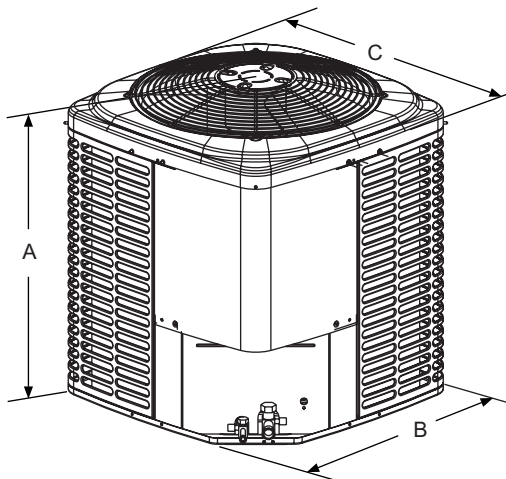
- **Small Footprint**- The compact footprint is a perfect fit for any application.
- **Quality Condenser Coils**- The coil is constructed of copper tubing and enhanced aluminum fins for increased performance.
- **Coil Protection** - Coils are protected from damage by a slotted, stamped steel coil guard.
- **Protected Compressor** - Compressors are protected internally by a high pressure relief valve and a temperature sensor, and externally by the system high and low pressure switches. A factory installed liquid line filter-drier further protects the compressor against moisture and debris.
- **Environmentally Friendly Refrigerant** - The next generation refrigerant R-410A delivers environmentally friendly performance with zero ozone depletion.
- **Durable Finish** - The cabinet is made of G90-equivalent galvanized steel, finished in a durable champagne colored powdercoat. The coated steel wire fan guard and pre-treated, galvanized steel chassis components resist corrosion and rust creep.
- **Lower Installed Cost** - Installation time and costs are reduced by easy power and control wiring connections. The unit is factory charged for a 15-foot lineset. The small base dimension means less space is required on the ground or roof.
- **Top Discharge** - Warm air from the top mounted fan is blown up, away from the structure and any landscaping. This allows compact location on multi-unit applications.
- **Low Operating Sound Level** - The upward air flow carries the normal operating noise away from the living area. The rigid top panel effectively isolates any motor sound. Isolator mounted compressor and the condenser coil muffle the normal fan motor and compressor operating sounds.
- **Low Maintenance** - Long life, permanently lubricated motor-bearings need no annual servicing.
- **Easy Service Access** - Fully exposed refrigerant connections and a single panel covering the electrical controls make for easy servicing of the unit.
- **Secured Service Valves** - Secured, re-usable service valves are provided on both the liquid and vapor sweat connections for ease of evacuating and charging.
- **Agency Listed** - Safety certified by CSA to UL 1995 / CSA 22.2. Performance certified to ANSI/AHRI Standard 210/240 in accordance with the Unitary Small Equipment certification program.

Physical and Electrical Data

MODEL		YHJD18 S41S2	YHJD24 S41S5	YHJD30 S41S5	YHJD34 S41S1	YHJD36 S41S4	YHJD42 S41S4	YHJD48 S41S4	YHJD60 S41S6
Unit Supply Voltage		208-230V, 1 ϕ , 60Hz							
Normal Voltage Range ¹		187 to 252							
Minimum Circuit Ampacity		11.9	16.8	15.5	23.6	19.7	20.9	25.6	32.5
Max. Overcurrent Device Amps ²		20	25	25	40	30	35	45	50
Min. Overcurrent Device Amps ³		15	20	20	25	20	25	30	35
Compressor	Type	Scroll	Scroll	Recip	Scroll	Recip	Recip	Recip	Scroll
	Rated Load Amps	9.0	12.8	11.4	16.6	14.7	15.7	19.4	33.0
	Locked Rotor Amps	48.0	58.3	54.0	79.0	74.0	88.0	88.0	134.0
Crankcase Heater		No	No	Yes	No	Yes	Yes	Yes	No
Factory External Discharge Muffler		Yes	Yes	Yes	Yes	No	No	No	Yes
Factory External Check Valve		No	No	No	No	No	No	No	No
HS Kit Required with TXV ⁴		No	No	Yes	No	Yes	Yes	Yes**	No
Fan Diameter Inches		24	24	24	24	24	24	24	24
Fan Motor	Rated HP	1/10	1/8	1/8	1/4	1/4	1/4	1/4	1/4
	Rated Load Amps	0.70	0.80	1.3	2.8	1.3	1.3	1.3	1.3
	Nominal RPM	825	1075	850	682	850	850	850	850
	Nominal CFM	2000	2900	3600	3100	3800	3800	3600	3550
Coil	Face Area Sq. Ft.	15.7	18.3	18.3	23.6	23.6	23.6	23.6	23.6
	Rows Deep	1	1	1	1	1	1	2	2
	Fins / Inch	22	22	22	22	22	22	18	18
Liquid Line Set OD (Field Installed)		3/8	3/8	3/8	3/8	3/8	3/8	3/8	3/8
Vapor Line Set OD (Field Installed)		3/4	3/4	3/4	3/4	3/4	7/8	7/8	1-1/8*
Unit Charge (Lbs. - Oz.) ^[5]		6 - 6	7 - 6	7 - 1	9 - 7	10 - 0	9 - 10	14 - 12	13 - 6
Charge Per Foot, Oz.		0.62	0.62	0.62	0.62	0.62	0.67	0.67	.75
Operating Weight Lbs.		172	194	198	217	218	218	285	288

** These models are shipped with a Hard Start Kit installed at the factory.

1. Rated in accordance with AHRI Standard 110-2012, utilization range "A".
2. Dual element fuses or HACR circuit breaker. Maximum allowable overcurrent protection.
3. Dual element fuses or HACR circuit breaker. Minimum recommended overcurrent protection.
4. See Hard Start Kit Accessory Installation Manual for Hard Start Kit part number for each model.
5. The Unit Charge is correct for the outdoor unit, smallest matched indoor unit, and 15 feet of refrigerant tubing. For tubing lengths other than 15 feet, add or subtract the amount of refrigerant, using the difference in actual lineset length (not equivalent length) multiplied by the per foot value.



Unit Model	Dimensions (Inches)			Refrigerant Connection Service Valve Size	
	A	B	C	Liquid	Vapor
18	28-1/4	34	34	3/8	3/4
24	32-1/4	34	34		
30	32-1/4	34	34		
34	40-1/4	34	34		
36	40-1/4	34	34		7/8
42	40-1/4	34	34		
48	40-1/4	34	34	7/8*	
60	40-1/4	34	34		

All dimensions are in inches and are subject to change without notice.

Overall height is from bottom of basepan to top of fan guard.

Overall length and width include screw heads.

* Adapter fitting must be field installed for the required 1-1/8" line set.

System Charge for Various Matched Systems

Outdoor Unit	YHJD18 S41S2	YHJD24 S41S5	YHJD30 S41S5	YHJD34 S41S1	YHJD36 S41S4	YHJD42 S41S4	YHJD48 S41S4	YHJD60 S41S6
Required Orifice or TXV ^{1,2}	.051/4F1	.059/4G1	.065/4G1	.065/4G1	.071/4H1	.075/4J1	4K1	4K1
Indoor Unit ^{3,4,5}	Additional Charge, Oz							
AHE18B	.051/TXV+0	-	-	-	-	-	-	-
AHE22B	-	.059/TXV+0	-	-	-	-	-	-
AHE24B	-	.059/TXV+24	-	-	-	-	-	-
AHE30B	-	.059/TXV+24	.065/TXV+20	-	-	-	-	-
AHE34C	-	-	.065/TXV+20	-	.071/TXV+0	-	-	-
AHE36C	-	-	-	-	.071/TXV+0	-	-	-
AHE42D	-	-	-	-	.071/TXV+16	-	-	-
AHE48D	-	-	-	-	-	.075/TXV+0	TXV+0	-
AHE60D	-	-	-	-	-	-	TXV+25	TXV+0
AHR18B	.051/TXV+0	-	-	-	-	-	-	-
AHR22B	-	.059/TXV+0	-	-	-	-	-	-
AHR24B	-	.059/TXV+24	-	-	-	-	-	-
AHR29C	-	-	.065/TXV+0	-	-	-	-	-
AHR30B	-	-	.065/TXV+20	-	-	-	-	-
AHR34C	-	-	-	.065/TXV+0	-	-	-	-
AHR36B	-	-	-	-	.071/TXV+6	-	-	-
AHR42C	-	-	-	-	.071/TXV+16	-	-	-
AHR48D	-	-	-	-	-	.075/TXV+0	TXV+0	-
AHR60D	-	-	-	-	-	-	TXV+25	TXV+0
AHV18B	.051/TXV+0	-	-	-	-	-	-	-
AHV24B	-	.059/TXV+24	-	-	-	-	-	-
AHV30B	-	.059/TXV+24	.065/TXV+20	-	-	-	-	-
AHV36C	-	-	-	-	.071/TXV+6	-	-	-
AHV42D	-	-	-	-	.071/TXV+16	-	-	-
AHV48D	-	-	-	-	-	.075/TXV+0	TXV+0	-
AHV60D	-	-	-	-	-	-	TXV+25	TXV+0
FC/MC/PC18	.051/TXV+0	-	-	-	-	-	-	-
FC/MC/PC24	.051/TXV + 5	.059/TXV+18	-	-	-	-	-	-
FC/MC/PC30	.051/TXV + 5	.059/TXV+18	.065/TXV+0	-	-	-	-	-
FC/MC/PC32	-	.059/TXV+24	.065*/TXV+20	-	-	-	-	-
FC/MC/PC35	-	.059/TXV+24	.065*/TXV+20	-	-	-	-	-
FC/MC/PC36	-	-	.065*/TXV+1	-	-	-	-	-
FC/MC/PC37	-	-	-	-	.071/TXV+6	-	-	-
FC/MC/PC43	-	-	-	-	.071/TXV+6	-	-	-
FC/MC/PC48	-	-	-	-	.071/TXV+16	.075/TXV+0	-	-
FC/MC/PC60	-	-	-	-	-	.075/TXV+0	TXV+0	-
FC/MC62	-	-	-	-	-	-	TXV+25	TXV+0
FC64	-	-	-	-	-	-	-	TXV+35
UC18	.051/TXV+1	-	-	-	-	-	-	-
UC24	.051/TXV+7	.059/TXV+24	-	-	-	-	-	-
UC30	.051/TXV+7	.059/TXV+24	-	-	-	-	-	-
UC48	-	-	-	-	.071/TXV+25	-	-	-
UC60	-	-	-	-	-	.075/TXV+2	TXV+11	-

Some of the combinations shown in the above System Charge table require Advanced Main Air Circulating Fan indoor product. For approved coil only matches, please see the "COOLING CAPACITY - Upflow, Downflow & Horizontal Furnaces and Coils" table.

FOOTNOTES:

* Orifice option is only for High Efficiency Motor Furnaces matches.

- For applications requiring a TXV use S1-1TVM*** series kit.
- Approved orifice(s) shipped with outdoor unit.
- Systems matched with furnaces or air handlers not equipped with blower-off delays may require blower Time Delay Kit S1-2FD06700224.
- PC coils cannot be used in downflow or horizontal applications. FC coils cannot be used in horizontal applications.
- Refer to Cooling and Heating Performance Data tables for actual performance for specified system matches.

PROCEDURES:

- Unit factory charge listed on the unit nameplate includes refrigerant for the outdoor unit, the smallest matched indoor unit, and 15 feet of interconnecting line tubing.
- Verify the TXV or orifice and additional charge required for specific matched indoor unit in the system using the above table.
- Add additional charge for the amount of interconnecting line tubing greater than 15 feet at the rate specified in Physical and Electrical Data Table.
- For indoor matches requiring additional charge, the refrigerant needs to be weighed in for specific matched indoor unit and actual lineset length.
- Permanently mark the unit nameplate with the total system charge. Total System Charge = Base Charge (as shipped) + charge adder for matched indoor unit + charge adder for actual lineset length.

COOLING CAPACITY - With Air Handler Coils

UNIT MODEL	AIR HANDLER		COIL 1 MODEL	RATED CFM	COOLING		SEER	EER
	MODEL	WIDTH			NET MBH			
					TOTAL	SENS.		
13 SEER HP WITH AIR HANDLERS								
YHJD18S41S2	AHE18B	17.5	–	610	18.0	14.6	14.00	12.00
YHJD18S41S2	AHR18B	17.5	–	665	18.0	14.9	13.00	11.00
YHJD18S41S2	AHV18B	17.5	–	615	18.0	13.2	14.00	12.00
YHJD18S41S2	MV12B	17.5	FC/MC18B	600	18.0	13.7	14.50	12.00
YHJD18S41S2	MV12B	17.5	FC/MC24B	600	18.0	13.7	14.50	12.00
YHJD18S41S2	MV12B	17.5	FC/MC30B	600	18.0	13.7	14.50	12.00
YHJD18S41S2	MX12BN21	17.5	FC/MC18B	600	18.0	13.1	14.00	11.80
YHJD18S41S2	MX12BN21	17.5	FC/MC24B	600	18.0	13.5	14.50	12.50
YHJD18S41S2	MX12BN21	17.5	FC/MC30B	600	18.0	13.5	14.50	12.50
YHJD24S41S5	AHE22B	17.5	–	805	24.0	17.2	13.70	11.35
YHJD24S41S5	AHE24B	17.5	–	795	24.0	17.5	14.00	12.00
YHJD24S41S5	AHE30B	17.5	–	795	24.0	17.5	14.00	12.00
YHJD24S41S5	AHR22B	17.5	–	795	23.8	16.7	13.00	11.00
YHJD24S41S5	AHR24B	17.5	–	740	24.0	16.6	13.00	11.00
YHJD24S41S5	AHV24B	17.5	–	710	24.0	16.6	14.00	12.00
YHJD24S41S5	AHV30B	17.5	–	775	24.0	17.5	14.00	12.00
YHJD24S41S5	MV12B	17.5	FC/MC24B	830	24.0	17.1	13.70	11.35
YHJD24S41S5	MV12B	17.5	FC/MC24B	830	24.0	17.1	13.70	11.35
YHJD24S41S5	MV12B	17.5	FC/MC35B	800	24.0	17.4	14.20	11.80
YHJD24S41S5	MX12BN21	17.5	FC/MC24B	800	24.0	17.1	13.70	11.35
YHJD24S41S5	MX12BN21	17.5	FC/MC24B	800	24.0	17.1	13.70	11.35
YHJD24S41S5	MX12BN21	17.5	FC/MC35B	800	24.0	17.3	14.00	12.00
YHJD24S41S5	MX16CN21	17.5	FC/MC35C	800	24.0	17.3	14.00	12.00
YHJD30S41S5	AHE30B	17.5	–	985	30.0	21.2	13.50	11.35
YHJD30S41S5	AHE30B + TXV	17.5	–	985	30.0	21.2	14.00	12.00
YHJD30S41S5	AHR29C	21.0	–	800	28.6	19.6	13.00	11.00
YHJD30S41S5	AHR30B	17.5	–	1115	30.0	22.0	13.00	11.00
YHJD30S41S5	AHV30B	17.5	–	1000	29.8	21.2	13.25	11.35
YHJD30S41S5	AHV30B + TXV	17.5	–	1000	29.8	21.2	14.00	12.00
YHJD30S41S5	MV12B	17.5	FC/MC30B	1000	30.0	20.8	13.70	11.35
YHJD30S41S5	MV12B	17.5	FC/MC35B	1010	30.0	21.4	13.70	11.35
YHJD30S41S5	MV12B	17.5	FC/MC35B+TXV	1010	30.0	21.4	14.00	12.00
YHJD30S41S5	MV12B	17.5	FC/MC36B	1000	28.8	21.0	13.70	11.35
YHJD30S41S5	MV16C	21.0	FC/MC35C+TXV	1070	30.0	22.4	14.00	12.00
YHJD30S41S5	MV16C	21.0	FC/MC35C	1070	30.0	22.4	13.70	11.35
YHJD30S41S5	MV16C	21.0	FC/MC36C	1000	29.0	21.2	13.70	11.35
YHJD30S41S5	MX12BN21	17.5	FC/MC30B	950	30.0	20.6	13.70	11.35
YHJD30S41S5	MX12BN21	17.5	FC/MC35B	975	30.0	21.4	13.70	11.35
YHJD30S41S5	MX12BN21	17.5	FC/MC35B+TXV	975	30.0	21.4	14.00	12.00
YHJD30S41S5	MX12BN21	17.5	FC/MC36B	975	28.8	21.0	13.70	11.35
YHJD30S41S5	MX16CN21	21.0	FC/MC35C	1000	30.0	21.4	13.70	11.35
YHJD30S41S5	MX16CN21	21.0	FC/MC35C+TXV	1000	30.0	21.4	14.00	12.00
YHJD30S41S5	MX16CN21	21.0	FC/MC36C	950	28.8	21.0	14.20	12.00
YHJD34S41S1	AHR34C	21.0	–	1035	32.6	11.0	13.00	11.00
YHJD36S41S4	AHE36C	21.0	–	1190	35.6	25.7	14.50	12.00
YHJD36S41S4	AHE42D	24.5	–	1180	35.6	25.6	14.50	12.00
YHJD36S41S4	AHR36B	21.0	–	1245	35.6	26.1	13.00	11.00
YHJD36S41S4	AHR42C	21.0	–	1230	35.6	25.8	13.00	11.00
YHJD36S41S4	AHV36C	21.0	–	1215	36.0	27.4	14.00	12.00
YHJD36S41S4	AHV42D	24.5	–	1180	36.0	27.6	14.50	12.00
YHJD36S41S4	MV12B	17.5	FC/MC43B	1225	36.0	27.2	14.50	12.00
YHJD36S41S4	MV12D	24.5	FC/MC48D	1160	36.0	26.6	14.50	12.00
YHJD36S41S4	MV16C	21.0	FC/MC43C	1200	36.0	26.8	14.50	12.00

For Notes see Page 5

COOLING CAPACITY - With Air Handler Coils (Continued)

UNIT MODEL	AIR HANDLER		COIL 1 MODEL	COOLING				
	MODEL	WIDTH		RATED CFM	NET MBH		SEER	EER
					TOTAL	SENS.		
13 SEER HP WITH AIR HANDLERS								
YHJD36S41S4	MV16C	21.0	FC/MC48C	1200	36.0	26.6	14.50	12.00
YHJD36S41S4	MX12BN21	17.5	FC/MC43B	1125	36.0	26.0	13.50	11.35
YHJD36S41S4	MX16CN21	21.0	FC/MC43C	1200	36.0	26.8	13.50	11.35
YHJD36S41S4	MX12DN21	24.5	FC/MC48D	1125	36.0	26.6	14.00	12.00
YHJD36S41S4	MX16CN21	21.0	FC/MC48C	1200	36.0	27.0	13.50	11.35
YHJD36S41S4	MX20DN21	24.5	FC/MC48D	1200	36.0	27.4	14.20	12.00
YHJD42S41S4	AHE48D	24.5	—	1385	40.5	33.2	14.00	12.00
YHJD42S41S4	AHR48D	24.5	—	1320	39.5	29.6	13.00	11.00
YHJD42S41S4	AHV48D	24.5	—	1300	39.5	30.2	13.75	11.50
YHJD42S41S4	MV16C	21.0	FC/MC48C	1400	40.0	32.0	13.50	11.50
YHJD42S41S4	MV16C	21.0	FC60C	1400	40.0	30.0	13.50	11.75
YHJD42S41S4	MV20D	24.5	FC/MC48D	1440	40.5	32.8	14.00	12.00
YHJD42S41S4	MV20D	24.5	FC/MC60D	1400	42.0	32.4	14.00	12.00
YHJD42S41S4	MX16CN21	21.0	FC60C	1400	40.0	28.4	13.50	11.35
YHJD42S41S4	MX20DN21	24.5	FC/MC60D	1375	40.5	28.8	14.20	12.00
YHJD48S41S4	AHE48D	24.5	—	1635	44.0	33.2	14.00	12.00
YHJD48S41S4	AHE60D	24.5	—	1565	45.0	34.4	14.50	12.00
YHJD48S41S4	AHR48D	24.5	—	1610	43.5	32.8	13.00	11.00
YHJD48S41S4	AHR60D	24.5	—	1620	44.0	33.8	13.25	11.35
YHJD48S41S4	AHV48D	24.5	—	1585	44.5	33.2	14.50	12.00
YHJD48S41S4	AHV60D	24.5	—	1570	44.5	34.0	14.50	12.00
YHJD48S41S4	MV16C	21.0	FC60C	1625	44.5	34.2	14.50	12.00
YHJD48S41S4	MV20D	24.5	FC/MC60D	1600	44.5	33.8	14.50	12.00
YHJD48S41S4	MV20D	24.5	FC/MC62D	1630	45.5	34.4	14.50	12.00
YHJD48S41S4	MX20DN21	24.5	FC/MC62D	1525	45.0	33.8	14.50	12.50
YHJD48S41S4	MX16CN21	21.0	FC60C	1600	45.0	33.2	14.50	12.50
YHJD48S41S4	MX20DN21	24.5	FC/MC60D	1525	45.5	33.6	14.50	12.50
YHJD60S41S6	AHE60D	24.5	—	1835	54.5	40.00	14.00	11.75
YHJD60S41S6	AHR60D	24.5	—	1850	54.0	39.50	13.00	11.00
YHJD60S41S6	AHV60D	24.5	—	1635	53.5	37.8	13.70	11.35
YHJD60S41S6	MV20D	24.5	FC/MC62D	1855	54.5	39.5	13.70	11.35
YHJD60S41S6	MV20D	24.5	FC64D	1855	56.0	41.0	14.00	11.75
YHJD60S41S6	MX20DN21	24.5	FC/MC62D	1750	55.5	40.5	14.00	11.80
YHJD60S41S6	MX20DN21	24.5	FC64D	1750	55.0	41.5	14.50	12.00

Rated in accordance with DOE test procedures (Federal Register 12-27-79 and 3-18-88) and ANSI/AHRI Standard 210/240.

Cooling MBH based on 80 °F entering air temperature, 50% RH (Relative Humidity), and rated air flow.

EER (Energy Efficiency Ratio) is the total cooling output in BTUs at 95 °F outdoor ambient divided by the total electric power in watt-hours at those conditions.

SEER (Seasonal Energy Efficiency Ratio) is the total cooling output in BTUs during a normal annual usage period for cooling divided by the total electric power input in watt-hours during the same period.

1. MC coils available with a factory installed horizontal drain pan. See price pages for specific model number.

— = Not applicable.

MA Modular Air Handlers use Coil Only Ratings.

COOLING CAPACITY - Upflow, Downflow & Horizontal Furnaces and Coils (Coil Only Ratings)

UNIT MODEL	COIL		CFM RANGE (MIN.-MAX.)	COOLING				
	MODEL	WIDTH		RATED CFM	NET MBH		SEER ¹	EER
					TOTAL	SENS.		
13 SEER HP COIL ONLY RATINGS								
YHJD18S41S2	FC/MC/PC18	14.5,17.5	450 - 750	600	18.0	14.0	13.00	11.00
YHJD18S41S2	FC/MC/PC24	14.5,17.5	450 - 750	600	18.0	14.0	13.50	11.00
YHJD18S41S2	FC/MC/PC30	14.5,17.5	450 - 750	600	18.0	13.7	13.00	11.00
YHJD18S41S2	UC24	14.5,17.5	450 - 750	600	18.0	13.8	13.05	11.00
YHJD18S41S2	UC30	14.5,17.5	450 - 750	600	18.0	13.8	13.05	11.00
YHJD24S41S5	FC/MC/PC24	14.5,17.5	600 - 1000	800	24.0	17.2	13.00	11.00
YHJD24S41S5	FC/MC/PC30	14.5,17.5	600 - 1000	800	24.0	17.3	13.00	11.00
YHJD24S41S5	FC/MC/PC32	14.5	600 - 1000	800	24.0	17.6	13.25	11.35
YHJD24S41S5	FC/MC/PC35	17.5,21.0	600 - 1000	800	24.0	17.6	13.25	11.35
YHJD24S41S5	UC24	14.5,17.5	600 - 1000	800	23.8	16.9	13.25	11.35
YHJD24S41S5	UC30	14.5,17.5	600 - 1000	800	23.8	16.9	13.25	11.35
YHJD30S41S5	FC/MC/PC30	14.5,17.5	800 - 1200	1000	27.0	18.8	13.00	11.00
YHJD30S41S5	FC/MC/PC32+TXV*	14.5	800 - 1200	1000	29.8	21.6	13.25	11.35
YHJD30S41S5	FC/MC/PC35+TXV*	17.5,21.0	800 - 1200	1000	29.8	21.6	13.25	11.35
YHJD30S41S5	FC/MC/PC36+TXV*	14.5,17.5,21.0	800 - 1200	1000	28.6	20.6	13.25	11.35
YHJD36S41S4	FC/MC/PC37	14.5	1000 - 1400	1200	36.0	26.8	13.00	11.00
YHJD36S41S4	FC/MC/PC43	17.5,21.0	1000 - 1400	1200	36.0	26.6	13.00	11.00
YHJD36S41S4	FC/MC/PC48	21.0,24.5	1000 - 1400	1200	36.0	26.6	13.00	11.00
YHJD36S41S4	UC48	21.0,24.5	1000 - 1400	1200	36.0	26.8	13.00	11.00
YHJD42S41S4	FC/MC/PC60	21.0,24.5	1200 - 1600	1400	41.0	31.8	13.00	11.00
YHJD42S41S4	UC60	21.0,24.5	1200 - 1600	1400	40.5	31.0	13.00	11.00
YHJD48S41S4	FC/MC/PC60+TXV*	21.0,24.5	1400 - 1800	1600	44.0	33.4	13.00	11.00
YHJD48S41S4	FC/MC62+TXV*	24.5	1400 - 1800	1600	44.5	33.8	13.00	11.00
YHJD48S41S4	UC60+TXV*	21.0,24.5	1400 - 1800	1600	44.0	32.8	13.00	11.00
YHJD60S41S6	FC/MC62+TXV*	24.5	1600 - 2000	1800	54.0	40.0	13.25	11.35
YHJD60S41S6	FC64+TXV*	24.5	1600 - 2000	1800	55.5	41.0	13.25	11.35

* Designated match-ups require a TXV. Other matches on this page can use a TXV or orifice.

1. Requires a 2FD06700224 Blower Time Delay unless a standard furnace is equipped with one.

MA Modular Air Handlers use Coil Only Ratings.

PSC furnaces, such as the TG8S, TGLS, and TG9S, use Coil Only Ratings.

COOLING CAPACITY - With High Efficiency Motor Furnaces

UNIT MODEL	FURNACE		COIL MODEL	COOLING				
	MODEL	WIDTH		RATED CFM	Net MBH		SEER	EER
					TOTAL	SENS.		
13 SEER HP WITH HIGH EFFICIENCY MOTOR FURNACES²								
YHJD18S41S2	T*(8,L)V*A12	14.5	FC/MC/PC18A	620	18.0	12.3	14.50	12.30
YHJD18S41S2	T*(8,L)V*A12	14.5	FC/MC/PC24A	640	18.0	12.7	14.80	12.50
YHJD18S41S2	T*(8,L)V*A12	14.5	FC/MC/PC30A	640	18.0	12.7	14.80	12.50
YHJD18S41S2	T*(8,L)V*A12	14.5	UC18A	620	18.0	12.4	14.60	12.30
YHJD18S41S2	T*(8,L)V*A12	14.5	UC24A	640	18.0	12.8	14.80	12.50
YHJD18S41S2	T*(8,L)V*A12	14.5	UC30A	640	18.0	12.8	14.80	12.50
YHJD18S41S2	T*(8,L)V*B12	14.5	FC/MC/PC18A	620	18.0	12.3	14.50	12.30
YHJD18S41S2	T*(8,L)V*B12	17.5	FC/MC/PC24B	575	18.0	12.2	14.90	12.60
YHJD18S41S2	T*(8,L)V*B12	17.5	FC/MC/PC30B	575	18.0	12.2	14.90	12.60
YHJD18S41S2	T*(8,L)V*B12	17.5	UC18B	580	18.0	12.0	14.60	12.30
YHJD18S41S2	T*(8,L)V*B12	17.5	UC24B	575	18.0	12.3	14.90	12.60
YHJD18S41S2	T*(8,L)V*B12	17.5	UC30B	575	18.0	12.3	15.00	12.60
YHJD18S41S2	T*9(C,V)*B12	17.5	FC/MC/PC18B	610	18.0	12.2	14.60	12.40
YHJD18S41S2	T*9(C,V)*B12	17.5	FC/MC/PC24B	610	18.0	12.7	14.90	12.60
YHJD18S41S2	T*9(C,V)*B12	17.5	FC/MC/PC30B	610	18.0	12.7	14.90	12.60
YHJD18S41S2	T*9(C,V)*B12	17.5	UC18B	610	18.0	12.3	14.80	12.40
YHJD18S41S2	T*9(C,V)*B12	17.5	UC24B	610	18.0	12.8	14.90	12.60
YHJD18S41S2	T*9(C,V)*B12	17.5	UC30B	610	18.0	12.8	15.00	12.60
YHJD18S41S2	T*9V*A10	17.5	FC/MC/PC18A	580	18.0	13.6	14.00	12.00
YHJD18S41S2	T*9V*A10	17.5	FC/MC/PC24A	575	18.0	14.0	14.00	12.00
YHJD18S41S2	T*9V*A10	17.5	FC/MC/PC30A	575	18.0	14.0	14.00	12.00
YHJD18S41S2	TM8X060A12MP11	14.5	FC/MC/PC18A	600	18.0	13.8	14.00	11.80
YHJD18S41S2	TM8X060A12MP11	14.5	FC/MC/PC24A	600	18.0	14.2	14.20	12.00
YHJD18S41S2	TM8X060A12MP11	14.5	FC/MC/PC30A	600	18.0	14.2	14.20	12.00
YHJD18S41S2	TM8X060A12MP11	14.5	UC18A	600	18.0	13.9	14.20	12.00
YHJD18S41S2	TM8X060A12MP11	14.5	UC24A	600	18.0	14.2	14.20	12.00
YHJD18S41S2	TM8X060A12MP11	14.5	UC30A	600	18.0	14.2	14.20	12.00
YHJD18S41S2	TM8X080B12MP11	17.5	FC/MC/PC18B	600	18.0	13.8	14.00	11.80
YHJD18S41S2	TM8X080B12MP11	17.5	FC/MC/PC24B	600	18.0	14.2	14.20	12.00
YHJD18S41S2	TM8X080B12MP11	17.5	FC/MC/PC30B	600	18.0	14.2	14.20	12.00
YHJD18S41S2	TM8X080B12MP11	17.5	UC18B	600	18.0	13.9	14.20	12.00
YHJD18S41S2	TM8X080B12MP11	17.5	UC24B	600	18.0	14.2	14.20	12.00
YHJD18S41S2	TM8X080B12MP11	17.5	UC30B	600	18.0	14.2	14.20	12.00
YHJD18S41S2	TM9E040A10MP11	14.5	FC/MC/PC18A	600	18.0	13.6	13.25	11.35
YHJD18S41S2	TM9E040A10MP11	14.5	FC/MC/PC24A	600	18.0	13.9	13.25	11.35
YHJD18S41S2	TM9E040A10MP11	14.5	FC/MC/PC30A	600	18.0	13.9	13.25	11.35
YHJD18S41S2	TM9E040A10MP11	14.5	UC18A	600	18.0	13.6	13.25	11.35
YHJD18S41S2	TM9E040A10MP11	14.5	UC24A	600	18.0	13.9	13.25	11.35
YHJD18S41S2	TM9E040A10MP11	14.5	UC30A	600	18.0	13.9	13.25	11.35
YHJD18S41S2	TM9E060B12MP11	17.5	FC/MC/PC18B	600	18.0	13.8	13.70	11.35
YHJD18S41S2	TM9E060B12MP11	17.5	FC/MC/PC24B	600	18.0	14.1	14.20	12.00
YHJD18S41S2	TM9E060B12MP11	17.5	FC/MC/PC30B	600	18.0	14.1	14.20	12.00
YHJD18S41S2	TM9E060B12MP11	17.5	UC18B	600	18.0	13.9	13.70	11.35
YHJD18S41S2	TM9E060B12MP11	17.5	UC24B	600	18.0	14.2	13.70	11.35
YHJD18S41S2	TM9E060B12MP11	17.5	UC30B	600	18.0	14.2	13.70	11.35
YHJD18S41S2	TM9E080B12MP11	17.5	FC/MC/PC18B	600	18.0	13.8	13.70	11.35
YHJD18S41S2	TM9E080B12MP11	17.5	FC/MC/PC24B	600	18.0	14.1	14.20	12.00
YHJD18S41S2	TM9E080B12MP11	17.5	FC/MC/PC30B	600	18.0	14.1	14.20	12.00
YHJD18S41S2	TM9E080B12MP11	17.5	UC18B	600	18.0	13.9	13.70	11.35
YHJD18S41S2	TM9E080B12MP11	17.5	UC24B	600	18.0	14.2	13.70	11.35
YHJD18S41S2	TM9E080B12MP11	17.5	UC30B	600	18.0	14.2	13.70	11.35
YHJD18S41S2	TM9X040A10MP11	14.5	FC/MC/PC18A	600	18.0	13.6	13.25	11.35
YHJD18S41S2	TM9X040A10MP11	14.5	FC/MC/PC24A	600	18.0	13.9	13.25	11.35
YHJD18S41S2	TM9X040A10MP11	14.5	FC/MC/PC30A	600	18.0	13.9	13.25	11.35

For Notes see Page 16

COOLING CAPACITY - With High Efficiency Motor Furnaces (Continued)

UNIT MODEL	FURNACE		COIL MODEL	COOLING				
	MODEL	WIDTH		RATED CFM	Net MBH		SEER	EER
					TOTAL	SENS.		
13 SEER HP WITH HIGH EFFICIENCY MOTOR FURNACES²								
YHJD18S41S2	TM9X040A10MP11	14.5	UC18A	600	18.0	13.7	13.25	11.35
YHJD18S41S2	TM9X040A10MP11	14.5	UC24A	600	18.0	14.0	13.25	11.35
YHJD18S41S2	TM9X040A10MP11	14.5	UC30A	600	18.0	14.0	13.25	11.35
YHJD18S41S2	TM9X060B12MP11	17.5	FC/MC/PC18B	600	18.0	13.8	13.70	11.35
YHJD18S41S2	TM9X060B12MP11	17.5	FC/MC/PC24B	600	18.0	14.1	14.20	12.00
YHJD18S41S2	TM9X060B12MP11	17.5	FC/MC/PC30B	600	18.0	14.1	14.20	12.00
YHJD18S41S2	TM9X060B12MP11	17.5	UC18B	600	18.0	13.9	13.70	11.35
YHJD18S41S2	TM9X060B12MP11	17.5	UC24B	600	18.0	14.2	13.70	11.35
YHJD18S41S2	TM9X060B12MP11	17.5	UC30B	600	18.0	14.2	13.70	11.35
YHJD18S41S2	TM9X080B12MP11	17.5	FC/MC/PC18B	600	18.0	13.8	13.70	11.35
YHJD18S41S2	TM9X080B12MP11	17.5	FC/MC/PC24B	600	18.0	14.1	14.20	12.00
YHJD18S41S2	TM9X080B12MP11	17.5	FC/MC/PC30B	600	18.0	14.1	14.20	12.00
YHJD18S41S2	TM9X080B12MP11	17.5	UC18B	600	18.0	13.9	13.70	11.35
YHJD18S41S2	TM9X080B12MP11	17.5	UC24B	600	18.0	14.2	13.70	11.35
YHJD18S41S2	TM9X080B12MP11	17.5	UC30B	600	18.0	14.2	13.70	11.35
YHJD18S41S2	TMLX060A12MP11	14.5	FC/MC/PC18A	600	18.0	13.8	14.00	11.80
YHJD18S41S2	TMLX060A12MP11	14.5	FC/MC/PC24A	600	18.0	14.2	14.20	12.00
YHJD18S41S2	TMLX060A12MP11	14.5	FC/MC/PC30A	600	18.0	14.2	14.20	12.00
YHJD18S41S2	TMLX060A12MP11	14.5	UC18A	600	18.0	13.9	14.20	12.00
YHJD18S41S2	TMLX060A12MP11	14.5	UC24A	600	18.0	14.2	14.20	12.00
YHJD18S41S2	TMLX060A12MP11	14.5	UC30A	600	18.0	14.2	14.20	12.00
YHJD18S41S2	TMLX080B12MP11	17.5	FC/MC/PC18B	600	18.0	13.8	14.00	11.80
YHJD18S41S2	TMLX080B12MP11	17.5	FC/MC/PC24B	600	18.0	14.2	14.20	12.00
YHJD18S41S2	TMLX080B12MP11	17.5	FC/MC/PC30B	600	18.0	14.2	14.20	12.00
YHJD18S41S2	TMLX080B12MP11	17.5	UC18B	600	18.0	13.9	14.20	12.00
YHJD18S41S2	TMLX080B12MP11	17.5	UC24B	600	18.0	14.2	14.20	12.00
YHJD18S41S2	TMLX080B12MP11	17.5	UC24B	600	18.0	14.2	14.20	12.00
YHJD18S41S2	TMLX080B12MP11	17.5	UC30B	600	18.0	14.2	14.20	12.00
YHJD18S41S2	Y*(8,L)C*A12	14.5	FC/MC/PC18A	620	18.0	12.3	14.50	12.30
YHJD18S41S2	Y*(8,L)C*A12	14.5	FC/MC/PC24A	640	18.0	12.7	14.80	12.50
YHJD18S41S2	Y*(8,L)C*A12	14.5	FC/MC/PC30A	640	18.0	12.7	14.80	12.50
YHJD18S41S2	Y*(8,L)C*A12	14.5	UC18A	620	18.0	12.4	14.60	12.30
YHJD18S41S2	Y*(8,L)C*A12	14.5	UC24A	640	18.0	12.8	14.80	12.50
YHJD18S41S2	Y*(8,L)C*A12	14.5	UC30A	640	18.0	12.8	14.80	12.50
YHJD18S41S2	Y*(8,L)C*B12	14.5	FC/MC/PC18A	620	18.0	12.3	14.50	12.30
YHJD18S41S2	Y*(8,L)C*B12	17.5	FC/MC/PC24B	575	18.0	12.2	14.90	12.60
YHJD18S41S2	Y*(8,L)C*B12	17.5	FC/MC/PC30B	575	18.0	12.2	14.90	12.60
YHJD18S41S2	Y*(8,L)C*B12	17.5	UC18B	580	18.0	12.0	14.60	12.30
YHJD18S41S2	Y*(8,L)C*B12	17.5	UC24B	575	18.0	12.3	14.90	12.60
YHJD18S41S2	Y*(8,L)C*B12	17.5	UC30B	575	18.0	12.3	15.00	12.60
YHJD18S41S2	Y*9C*B12	17.5	FC/MC/PC18B	610	18.0	12.2	14.60	12.40
YHJD18S41S2	Y*9C*B12	17.5	FC/MC/PC24B	610	18.0	12.7	14.90	12.60
YHJD18S41S2	Y*9C*B12	17.5	FC/MC/PC30B	610	18.0	12.7	14.90	12.60
YHJD18S41S2	Y*9C*B12	17.5	UC18B	610	18.0	12.3	14.80	12.40
YHJD18S41S2	Y*9C*B12	17.5	UC24B	610	18.0	12.8	14.90	12.60
YHJD18S41S2	Y*9C*B12	17.5	UC30B	610	18.0	12.8	15.00	12.60
YHJD24S41S5	T*(8,L)V*A12	14.5	FC/MC/PC24A	770	24.0	17.6	13.70	11.35
YHJD24S41S5	T*(8,L)V*A12	14.5	FC/MC/PC30A	770	24.0	17.6	13.70	11.35
YHJD24S41S5	T*(8,L)V*A12	14.5	FC/MC/PC32A	755	24.0	17.7	13.70	11.35
YHJD24S41S5	T*(8,L)V*A12	14.5	UC24A	805	24.0	17.2	13.70	11.35
YHJD24S41S5	T*(8,L)V*A12	14.5	UC30A	805	24.0	17.2	13.70	11.35
YHJD24S41S5	T*(8,L)V*B12	17.5	FC/MC/PC24B	760	24.0	17.5	13.70	11.35
YHJD24S41S5	T*(8,L)V*B12	17.5	FC/MC/PC30B	760	24.0	17.5	13.70	11.35
YHJD24S41S5	T*(8,L)V*B12	17.5	FC/MC/PC35B	785	24.0	18.0	13.70	11.35
YHJD24S41S5	T*(8,L)V*B12	17.5	UC24B	815	24.0	17.3	13.70	11.35

For Notes see Page 16

COOLING CAPACITY - With High Efficiency Motor Furnaces (Continued)

UNIT MODEL	FURNACE		COIL MODEL	COOLING				
	MODEL	WIDTH		RATED CFM	Net MBH		SEER	EER
					TOTAL	SENS.		
13 SEER HP WITH HIGH EFFICIENCY MOTOR FURNACES²								
YHJD24S41S5	T*(8,L)V*B12	17.5	UC30B	815	24.0	17.3	13.70	11.35
YHJD24S41S5	T*(8,L)V*C16	21.0	FC/MC/PC35C	775	24.0	18.1	13.70	11.35
YHJD24S41S5	T*(8,L)V*C20	21.0	FC/MC/PC35C	755	24.0	17.8	13.70	11.35
YHJD24S41S5	T*9V*A10	14.5	FC/MC/PC24A	785	24.0	17.4	13.70	11.35
YHJD24S41S5	T*9V*A10	14.5	FC/MC/PC30A	785	24.0	17.4	13.70	11.35
YHJD24S41S5	T*9V*A10	14.5	FC/MC/PC32A	785	24.0	17.8	13.70	11.35
YHJD24S41S5	T*9V*B12	17.5	FC/MC/PC24B	790	24.0	17.5	13.70	11.35
YHJD24S41S5	T*9V*B12	17.5	FC/MC/PC30B	790	24.0	17.5	13.70	11.35
YHJD24S41S5	T*9V*B12	17.5	FC/MC/PC35B	815	24.0	18.0	13.70	11.35
YHJD24S41S5	T*9V*B12	17.5	UC24B	790	24.0	17.2	13.70	11.35
YHJD24S41S5	T*9V*B12	17.5	UC30B	790	24.0	17.2	13.70	11.35
YHJD24S41S5	T*9V*C16	21.0	FC/MC/PC35C	900	24.0	19.2	13.70	11.35
YHJD24S41S5	T*9V*C20	21.0	FC/MC/PC35C	755	24.0	17.8	13.70	11.35
YHJD24S41S5	TM8X060A12MP11	14.5	FC/MC/PC24A	750	24.0	17.3	13.70	11.35
YHJD24S41S5	TM8X060A12MP11	14.5	FC/MC/PC30A	750	24.0	17.3	13.70	11.35
YHJD24S41S5	TM8X060A12MP11	14.5	FC/MC/PC32A	800	24.0	18.0	13.70	11.35
YHJD24S41S5	TM8X060A12MP11	14.5	UC24A	750	24.0	16.9	13.70	11.35
YHJD24S41S5	TM8X060A12MP11	14.5	UC30A	750	24.0	16.9	13.70	11.35
YHJD24S41S5	TM8X080B12MP11	17.5	FC/MC/PC24B	775	24.0	17.6	13.70	11.35
YHJD24S41S5	TM8X080B12MP11	17.5	FC/MC/PC30B	775	24.0	17.6	13.70	11.35
YHJD24S41S5	TM8X080B12MP11	17.5	FC/MC/PC35B	750	24.0	17.6	13.70	11.35
YHJD24S41S5	TM8X080B12MP11	17.5	UC24B	775	24.0	17.2	13.70	11.35
YHJD24S41S5	TM8X080B12MP11	17.5	UC30B	775	24.0	17.2	13.70	11.35
YHJD24S41S5	TM8X080C16MP11	21.0	FC/MC/PC35C	800	24.0	17.9	13.70	11.35
YHJD24S41S5	TM8X100C16MP11	21.0	FC/MC/PC35C	800	24.0	17.9	13.70	11.35
YHJD24S41S5	TM8X100C20MP11	21.0	FC/MC/PC35C	800	24.0	17.8	13.70	11.35
YHJD24S41S5	TM8X120C20MP11	21.0	FC/MC/PC35C	800	24.0	17.8	13.70	11.35
YHJD24S41S5	TM9E040A10MP11	14.5	FC/MC/PC24A	800	24.0	17.3	13.25	12.00
YHJD24S41S5	TM9E040A10MP11	14.5	FC/MC/PC30A	800	24.0	17.3	13.25	12.00
YHJD24S41S5	TM9E040A10MP11	14.5	FC/MC/PC32A	775	24.0	17.7	13.70	11.35
YHJD24S41S5	TM9E040A10MP11	14.5	UC24A	800	24.0	16.9	13.70	11.35
YHJD24S41S5	TM9E040A10MP11	14.5	UC30A	800	24.0	16.9	13.70	11.35
YHJD24S41S5	TM9E060B12MP11	17.5	FC/MC/PC24B	800	24.0	17.4	13.70	11.35
YHJD24S41S5	TM9E060B12MP11	17.5	FC/MC/PC30B	800	24.0	17.4	13.70	11.35
YHJD24S41S5	TM9E060B12MP11	17.5	FC/MC/PC35B	800	24.0	17.9	13.70	11.35
YHJD24S41S5	TM9E060B12MP11	17.5	UC24B	800	24.0	17.1	13.70	11.35
YHJD24S41S5	TM9E060B12MP11	17.5	UC30B	800	24.0	17.1	13.70	11.35
YHJD24S41S5	TM9E060B12MP11	17.5	FC/MC/PC24B	800	24.0	17.4	13.70	11.35
YHJD24S41S5	TM9E080B12MP11	17.5	FC/MC/PC30B	800	24.0	17.4	13.70	11.35
YHJD24S41S5	TM9E080B12MP11	17.5	FC/MC/PC35B	800	24.0	17.9	13.70	11.35
YHJD24S41S5	TM9E080B12MP11	17.5	UC24B	800	24.0	17.1	13.70	11.35
YHJD24S41S5	TM9E080B12MP11	17.5	UC30B	800	24.0	17.1	13.70	11.35
YHJD24S41S5	TM9E080C16MP11	21.0	FC/MC/PC35C	800	24.0	17.8	13.70	11.35
YHJD24S41S5	TM9E100C16MP11	21.0	FC/MC/PC35C	800	24.0	17.8	13.70	11.35
YHJD24S41S5	TM9E100C20MP11	21.0	FC/MC/PC35C	800	24.0	17.9	13.70	11.35
YHJD24S41S5	TM9X040A10MP11	14.5	FC/MC/PC24A	800	24.0	17.3	13.25	12.00
YHJD24S41S5	TM9X040A10MP11	14.5	FC/MC/PC30A	800	24.0	17.3	13.25	12.00
YHJD24S41S5	TM9X040A10MP11	14.5	FC/MC/PC32A	775	24.0	17.7	13.70	11.35
YHJD24S41S5	TM9X040A10MP11	14.5	UC24A	800	24.0	16.9	13.70	11.35
YHJD24S41S5	TM9X040A10MP11	14.5	UC30A	800	24.0	16.9	13.70	11.35
YHJD24S41S5	TM9X060B12MP11	17.5	FC/MC/PC24B	800	24.0	17.4	13.70	11.35
YHJD24S41S5	TM9X060B12MP11	17.5	FC/MC/PC30B	800	24.0	17.4	13.70	11.35
YHJD24S41S5	TM9X060B12MP11	17.5	FC/MC/PC35B	800	24.0	17.9	13.70	11.35
YHJD24S41S5	TM9X060B12MP11	17.5	UC24B	800	24.0	17.1	13.70	11.35
YHJD24S41S5	TM9X060B12MP11	17.5	UC30B	800	24.0	17.1	13.70	11.35

For Notes see Page 16

COOLING CAPACITY - With High Efficiency Motor Furnaces (Continued)

UNIT MODEL	FURNACE		COIL MODEL	COOLING				
	MODEL	WIDTH		RATED CFM	Net MBH		SEER	EER
					TOTAL	SENS.		
13 SEER HP WITH HIGH EFFICIENCY MOTOR FURNACES²								
YHJD24S41S5	TM9X080B12MP11	17.5	FC/MC/PC24B	800	24.0	17.4	13.70	11.35
YHJD24S41S5	TM9X080B12MP11	17.5	FC/MC/PC30B	800	24.0	17.4	13.70	11.35
YHJD24S41S5	TM9X080B12MP11	17.5	FC/MC/PC35B	800	24.0	17.9	13.70	11.35
YHJD24S41S5	TM9X080B12MP11	17.5	UC24B	800	24.0	17.1	13.70	11.35
YHJD24S41S5	TM9X080B12MP11	17.5	UC30B	800	24.0	17.1	13.70	11.35
YHJD24S41S5	TM9X080C16MP11	21.0	FC/MC/PC35C	800	24.0	17.8	13.70	11.35
YHJD24S41S5	TM9X100C16MP11	21.0	FC/MC/PC35C	800	24.0	17.8	13.70	11.35
YHJD24S41S5	TM9X100C20MP11	21.0	FC/MC/PC35C	800	24.0	17.9	13.70	11.35
YHJD24S41S5	TMLX060A12MP11	14.5	FC/MC/PC24A	750	24.0	17.3	13.70	11.35
YHJD24S41S5	TMLX060A12MP11	14.5	FC/MC/PC30A	750	24.0	17.3	13.70	11.35
YHJD24S41S5	TMLX060A12MP11	14.5	FC/MC/PC32A	800	24.0	18.0	13.70	11.35
YHJD24S41S5	TMLX060A12MP11	14.5	UC24A	750	24.0	16.9	13.70	11.35
YHJD24S41S5	TMLX060A12MP11	14.5	UC30A	750	24.0	16.9	13.70	11.35
YHJD24S41S5	TMLX080B12MP11	17.5	FC/MC/PC24B	775	24.0	17.6	13.70	11.35
YHJD24S41S5	TMLX080B12MP11	17.5	FC/MC/PC30B	775	24.0	17.6	13.70	11.35
YHJD24S41S5	TMLX080B12MP11	17.5	FC/MC/PC35B	750	24.0	17.6	13.70	11.35
YHJD24S41S5	TMLX080B12MP11	17.5	UC24B	775	24.0	17.2	13.70	11.35
YHJD24S41S5	TMLX080B12MP11	17.5	UC30B	775	24.0	17.2	13.70	11.35
YHJD24S41S5	TMLX080C16MP11	21.0	FC/MC/PC35C	800	24.0	17.9	13.70	11.35
YHJD24S41S5	TMLX100C16MP11	21.0	FC/MC/PC35C	800	24.0	17.9	13.70	11.35
YHJD24S41S5	TMLX100C20MP11	21.0	FC/MC/PC35C	800	24.0	17.8	13.70	11.35
YHJD24S41S5	TMLX120C20MP11	21.0	FC/MC/PC35C	800	24.0	17.8	13.70	11.35
YHJD24S41S5	Y*(8,L)C*A12	14.5	FC/MC/PC24A	770	24.0	17.6	13.70	11.35
YHJD24S41S5	Y*(8,L)C*A12	14.5	FC/MC/PC30A	770	24.0	17.6	13.70	11.35
YHJD24S41S5	Y*(8,L)C*A12	14.5	FC/MC/PC32A	755	24.0	17.7	13.70	11.35
YHJD24S41S5	Y*(8,L)C*A12	14.5	UC24A	805	24.0	17.2	13.70	11.35
YHJD24S41S5	Y*(8,L)C*A12	14.5	UC30A	805	24.0	17.2	13.70	11.35
YHJD24S41S5	Y*(8,L)C*B12	17.5	FC/MC/PC24B	760	24.0	17.5	13.70	11.35
YHJD24S41S5	Y*(8,L)C*B12	17.5	FC/MC/PC30B	760	24.0	17.5	13.70	11.35
YHJD24S41S5	Y*(8,L)C*B12	17.5	FC/MC/PC35B	785	24.0	18.0	13.70	11.35
YHJD24S41S5	Y*(8,L)C*B12	17.5	UC24B	815	24.0	17.3	13.70	11.35
YHJD24S41S5	Y*(8,L)C*B12	17.5	UC30B	815	24.0	17.3	13.70	11.35
YHJD24S41S5	Y*(8,L)C*C16	21.0	FC/MC/PC35C	775	24.0	18.1	13.70	11.35
YHJD24S41S5	Y*(8,L)C*C20	21.0	FC/MC/PC35C	755	24.0	17.8	13.70	11.35
YHJD24S41S5	Y*9C*B12	17.5	FC/MC/PC24B	790	24.0	17.5	13.70	11.35
YHJD24S41S5	Y*9C*B12	17.5	FC/MC/PC30B	790	24.0	17.5	13.70	11.35
YHJD24S41S5	Y*9C*B12	17.5	FC/MC/PC35B	815	24.0	18.0	13.70	11.35
YHJD24S41S5	Y*9C*B12	17.5	UC24B	790	24.0	17.2	13.70	11.35
YHJD24S41S5	Y*9C*B12	17.5	UC30B	790	24.0	17.2	13.70	11.35
YHJD24S41S5	Y*9C*C16	21.0	FC/MC/PC35C	900	24.0	19.2	13.70	11.35
YHJD24S41S5	Y*9C*C20	21.0	FC/MC/PC35C	755	24.0	17.8	13.70	11.35
YHJD30S41S5	T*(8,L)V*A12	14.5	FC/MC/PC30A	1060	30.0	22.4	13.70	11.35
YHJD30S41S5	T*(8,L)V*A12	14.5	FC/MC/PC36A	975	28.8	21.0	13.70	11.35
YHJD30S41S5	T*(8,L)V*B12	17.5	FC/MC/PC30B	950	30.0	21.8	13.70	11.35
YHJD30S41S5	T*(8,L)V*B12	17.5	FC/MC/PC35B	1020	30.0	21.6	13.25	12.50
YHJD30S41S5	T*(8,L)V*B12	17.5	FC/MC/PC36B	995	28.8	21.0	13.50	12.00
YHJD30S41S5	T*(8,L)V*C16	21.0	FC/MC/PC35C	985	30.0	21.8	13.70	11.35
YHJD30S41S5	T*(8,L)V*C16	21.0	FC/MC/PC36C	995	28.8	21.0	13.70	11.35
YHJD30S41S5	T*(8,L)V*C20	21.0	FC/MC/PC35C	1035	30.0	21.6	13.50	12.70
YHJD30S41S5	T*(8,L)V*C20	21.0	FC/MC/PC36C	1030	28.6	21.0	13.25	11.80
YHJD30S41S5	T*9V*B12	17.5	FC/MC/PC30B	1050	30.0	22.4	13.70	11.35
YHJD30S41S5	T*9V*B12	17.5	FC/MC/PC36B	985	28.8	21.0	13.70	11.35
YHJD30S41S5	T*9V*C16	21.0	FC/MC/PC35C	1005	30.0	21.8	13.70	11.35
YHJD30S41S5	T*9V*C16	21.0	FC/MC/PC36C	1005	29.0	21.2	13.70	11.35
YHJD30S41S5	T*9V*C20	21.0	FC/MC/PC35C	985	30.0	21.8	13.70	11.35

For Notes see Page 16

COOLING CAPACITY - With High Efficiency Motor Furnaces (Continued)

UNIT MODEL	FURNACE		COIL MODEL	COOLING				
	MODEL	WIDTH		RATED CFM	Net MBH		SEER	EER
					TOTAL	SENS.		
13 SEER HP WITH HIGH EFFICIENCY MOTOR FURNACES²								
YHJD30S41S5	T*9V*C20	21.0	FC/MC/PC36C	1045	28.8	21.0	13.70	11.35
YHJD30S41S5	TM8X060A12MP11	14.5	FC/MC/PC30A	950	30.0	21.6	13.70	11.35
YHJD30S41S5	TM8X060A12MP11	14.5	FC/MC/PC36A	975	28.8	21.0	13.70	11.35
YHJD30S41S5	TM8X080B12MP11	17.5	FC/MC/PC30B	975	30.0	21.8	13.70	11.35
YHJD30S41S5	TM8X080B12MP11	17.5	FC/MC/PC35B	950	29.8	21.2	13.50	12.60
YHJD30S41S5	TM8X080B12MP11	17.5	FC/MC/PC36B	975	28.8	21.0	13.70	11.35
YHJD30S41S5	TM8X080C16MP11	21.0	FC/MC/PC35C	975	30.0	21.8	13.70	11.35
YHJD30S41S5	TM8X080C16MP11	21.0	FC/MC/PC36C	975	29.0	21.2	13.70	11.35
YHJD30S41S5	TM8X100C16MP11	21.0	FC/MC/PC35C	975	30.0	21.8	13.70	11.35
YHJD30S41S5	TM8X100C16MP11	21.0	FC/MC/PC36C	975	29.0	21.2	13.70	11.35
YHJD30S41S5	TM8X100C20MP11	21.0	FC/MC/PC35C	1000	30.0	21.8	13.70	11.35
YHJD30S41S5	TM8X100C20MP11	21.0	FC/MC/PC36C	1000	28.8	21.0	13.70	11.35
YHJD30S41S5	TM8X120C20MP11	21.0	FC/MC/PC35C	1000	30.0	21.8	13.70	11.35
YHJD30S41S5	TM8X120C20MP11	21.0	FC/MC/PC36C	1000	28.8	21.0	13.70	11.35
YHJD30S41S5	TM9E040A10MP11	14.5	FC/MC/PC30A	975	30.0	21.6	13.70	11.35
YHJD30S41S5	TM9E060B12MP11	17.5	FC/MC/PC30B	950	30.0	21.6	13.70	11.35
YHJD30S41S5	TM9E060B12MP11	17.5	FC/MC/PC35B	950	29.8	21.2	13.50	12.55
YHJD30S41S5	TM9E060B12MP11	17.5	FC/MC/PC36B	975	28.8	21.0	13.50	12.05
YHJD30S41S5	TM9E080B12MP11	17.5	FC/MC/PC30B	950	30.0	21.6	13.70	11.35
YHJD30S41S5	TM9E080B12MP11	17.5	FC/MC/PC35B	950	29.8	21.2	13.50	12.55
YHJD30S41S5	TM9E080B12MP11	17.5	FC/MC/PC36B	975	28.8	21.0	13.50	12.05
YHJD30S41S5	TM9E080C16MP11	21.0	FC/MC/PC35C	1000	30.0	21.8	13.70	11.35
YHJD30S41S5	TM9E080C16MP11	21.0	FC/MC/PC36C	1000	28.8	21.0	13.70	11.35
YHJD30S41S5	TM9E100C16MP11	21.0	FC/MC/PC35C	1000	30.0	21.8	13.70	11.35
YHJD30S41S5	TM9E100C16MP11	21.0	FC/MC/PC36C	1000	28.8	21.0	13.70	11.35
YHJD30S41S5	TM9X040A10MP11	14.5	FC/MC/PC30A	975	30.0	21.6	13.70	11.35
YHJD30S41S5	TM9X060B12MP11	17.5	FC/MC/PC30B	950	30.0	21.6	13.70	11.35
YHJD30S41S5	TM9X060B12MP11	17.5	FC/MC/PC35B	950	29.8	21.2	13.50	12.55
YHJD30S41S5	TM9X060B12MP11	17.5	FC/MC/PC36B	975	28.8	21.0	13.50	12.05
YHJD30S41S5	TM9X080B12MP11	17.5	FC/MC/PC30B	950	30.0	21.6	13.70	11.35
YHJD30S41S5	TM9X080B12MP11	17.5	FC/MC/PC35B	950	29.8	21.2	13.50	12.55
YHJD30S41S5	TM9X080B12MP11	17.5	FC/MC/PC36B	975	28.8	21.0	13.50	12.05
YHJD30S41S5	TM9X080C16MP11	21.0	FC/MC/PC35C	1000	30.0	21.8	13.70	11.35
YHJD30S41S5	TM9X080C16MP11	21.0	FC/MC/PC36C	1000	28.8	21.0	13.70	11.35
YHJD30S41S5	TM9X100C16MP11	21.0	FC/MC/PC35C	1000	30.0	21.8	13.70	11.35
YHJD30S41S5	TM9X100C16MP11	21.0	FC/MC/PC36C	1000	28.8	21.0	13.70	11.35
YHJD30S41S5	TMLX060A12MP11	14.5	FC/MC/PC30A	950	30.0	21.6	13.70	11.35
YHJD30S41S5	TMLX060A12MP11	14.5	FC/MC/PC36A	975	28.8	21.0	13.70	11.35
YHJD30S41S5	TMLX080B12MP11	17.5	FC/MC/PC30B	975	30.0	21.8	13.70	11.35
YHJD30S41S5	TMLX080B12MP11	17.5	FC/MC/PC35B	950	29.8	21.2	13.50	12.60
YHJD30S41S5	TMLX080B12MP11	17.5	FC/MC/PC36B	975	28.8	21.0	13.70	11.35
YHJD30S41S5	TMLX080C16MP11	21.0	FC/MC/PC35C	975	30.0	21.8	13.70	11.35
YHJD30S41S5	TMLX080C16MP11	21.0	FC/MC/PC36C	975	29.0	21.2	13.70	11.35
YHJD30S41S5	TMLX100C16MP11	21.0	FC/MC/PC35C	975	30.0	21.8	13.70	11.35
YHJD30S41S5	TMLX100C16MP11	21.0	FC/MC/PC36C	975	29.0	21.2	13.70	11.35
YHJD30S41S5	TMLX100C20MP11	21.0	FC/MC/PC35C	1000	30.0	21.8	13.70	11.35
YHJD30S41S5	TMLX100C20MP11	21.0	FC/MC/PC36C	1000	28.8	21.0	13.70	11.35
YHJD30S41S5	TMLX120C20MP11	21.0	FC/MC/PC35C	1000	30.0	21.8	13.70	11.35
YHJD30S41S5	TMLX120C20MP11	21.0	FC/MC/PC36C	1000	28.8	21.0	13.70	11.35
YHJD30S41S5	Y*(8,L)C*A12	14.5	FC/MC/PC30A	1060	30.0	22.4	13.70	11.35
YHJD30S41S5	Y*(8,L)C*A12	14.5	FC/MC/PC36A	975	28.8	21.0	13.70	11.35
YHJD30S41S5	Y*(8,L)C*B12	17.5	FC/MC/PC30B	950	30.0	21.8	13.70	11.35
YHJD30S41S5	Y*(8,L)C*B12	17.5	FC/MC/PC35B	1020	30.0	21.6	13.25	12.50
YHJD30S41S5	Y*(8,L)C*B12	17.5	FC/MC/PC36B	995	28.8	21.0	13.50	12.00
YHJD30S41S5	Y*(8,L)C*C16	21.0	FC/MC/PC35C	985	30.0	21.8	13.70	11.35

For Notes see Page 16

COOLING CAPACITY - With High Efficiency Motor Furnaces (Continued)

UNIT MODEL	FURNACE		COIL MODEL	COOLING				
	MODEL	WIDTH		RATED CFM	Net MBH		SEER	EER
					TOTAL	SENS.		
13 SEER HP WITH HIGH EFFICIENCY MOTOR FURNACES²								
YHJD30S41S5	Y*(8,L)C*C16	21.0	FC/MC/PC36C	995	28.8	21.0	13.70	11.35
YHJD30S41S5	Y*(8,L)C*C20	21.0	FC/MC/PC35C	1035	30.0	21.6	13.50	12.70
YHJD30S41S5	Y*(8,L)C*C20	21.0	FC/MC/PC36C	1030	28.6	21.0	13.25	11.80
YHJD30S41S5	Y*9C*B12	17.5	FC/MC/PC30B	1050	30.0	22.4	13.70	11.35
YHJD30S41S5	Y*9C*B12	17.5	FC/MC/PC36B	985	28.8	21.0	13.70	11.35
YHJD30S41S5	Y*9C*C16	21.0	FC/MC/PC35C	1005	30.0	21.8	13.70	11.35
YHJD30S41S5	Y*9C*C16	21.0	FC/MC/PC36C	1005	29.0	21.2	13.70	11.35
YHJD30S41S5	Y*9C*C20	21.0	FC/MC/PC35C	985	30.0	21.8	13.70	11.35
YHJD30S41S5	Y*9C*C20	21.0	FC/MC/PC36C	1045	28.8	21.0	13.70	11.35
YHJD36S41S4	T*(8,L)V*A12	14.5	FC/MC/PC37A	1150	36.0	26.4	13.75	11.50
YHJD36S41S4	T*(8,L)V*B12	17.5	FC/MC/PC43B	1270	36.0	27.2	13.75	11.50
YHJD36S41S4	T*(8,L)V*C16	21.0	FC/MC/PC43C	1205	36.0	26.8	14.50	12.00
YHJD36S41S4	T*(8,L)V*C16	21.0	FC/MC/PC48C	1210	36.0	26.6	14.50	12.00
YHJD36S41S4	T*(8,L)V*C16	21.0	UC48C	1210	36.0	26.8	14.50	12.00
YHJD36S41S4	T*(8,L)V*C20	21.0	FC/MC/PC43C	1190	36.0	26.8	14.50	12.00
YHJD36S41S4	T*(8,L)V*C20	21.0	FC/MC/PC48C	1155	36.0	26.6	14.50	12.00
YHJD36S41S4	T*(8,L)V*C20	21.0	UC48C	1155	36.0	26.8	14.50	12.00
YHJD36S41S4	T*9(C,V)*B12	17.5	FC/MC/PC43B	1200	36.0	26.8	14.00	11.50
YHJD36S41S4	T*9(C,V)*C16	21.0	FC/MC/PC43C	1240	36.0	27.0	14.00	12.00
YHJD36S41S4	T*9(C,V)*C16	21.0	FC/MC/PC48C	1195	36.0	26.6	14.50	12.00
YHJD36S41S4	T*9(C,V)*C16	21.0	UC48C	1195	36.0	26.8	14.50	12.00
YHJD36S41S4	T*9(C,V)*C20	21.0	FC/MC/PC43C	1200	36.0	26.8	14.50	12.00
YHJD36S41S4	T*9(C,V)*C20	21.0	FC/MC/PC48C	1330	36.0	27.6	14.50	12.00
YHJD36S41S4	T*9(C,V)*C20	21.0	UC48C	1330	36.0	27.8	14.50	12.00
YHJD36S41S4	T*9(C,V)*D20	24.5	FC/MC/PC48D	1240	36.0	26.6	14.50	12.00
YHJD36S41S4	T*9(C,V)*D20	24.5	UC48D	1240	36.0	26.8	14.50	12.00
YHJD36S41S4	TM8X080B12MP11	17.5	FC/MC/PC43B	1175	36.0	26.0	13.10	11.00
YHJD36S41S4	TM8X080C16MP11	21.0	FC/MC/PC43C	1150	36.0	26.2	13.70	11.35
YHJD36S41S4	TM8X080C16MP11	21.0	FC/MC/PC48C	1150	36.0	26.6	13.70	11.35
YHJD36S41S4	TM8X100C16MP11	21.0	FC/MC/PC43C	1150	36.0	26.2	13.70	11.35
YHJD36S41S4	TM8X100C16MP11	21.0	FC/MC/PC48C	1150	36.0	26.6	13.70	11.35
YHJD36S41S4	TM8X100C20MP11	21.0	FC/MC/PC43C	1200	36.0	27.2	13.70	11.35
YHJD36S41S4	TM8X100C20MP11	21.0	FC/MC/PC48C	1200	36.0	27.4	13.70	11.35
YHJD36S41S4	TM8X120C20MP11	21.0	FC/MC/PC43C	1200	36.0	27.2	13.70	11.35
YHJD36S41S4	TM8X120C20MP11	21.0	FC/MC/PC48C	1200	36.0	27.4	13.70	11.35
YHJD36S41S4	TM9E060B12MP11	17.5	FC/MC/PC43B	1125	36.0	26.0	13.10	11.00
YHJD36S41S4	TM9E080B12MP11	17.5	FC/MC/PC43B	1125	36.0	26.0	13.10	11.00
YHJD36S41S4	TM9E080C16MP11	21.0	FC/MC/PC43C	1175	36.0	26.2	13.50	11.35
YHJD36S41S4	TM9E080C16MP11	21.0	FC/MC/PC48C	1150	36.0	26.6	13.50	11.35
YHJD36S41S4	TM9E080C16MP11	21.0	UC48C	1150	35.8	24.8	13.25	11.35
YHJD36S41S4	TM9E100C16MP11	21.0	FC/MC/PC43C	1175	36.0	26.2	13.50	11.35
YHJD36S41S4	TM9E100C16MP11	21.0	FC/MC/PC48C	1150	36.0	26.6	13.50	11.35
YHJD36S41S4	TM9E100C16MP11	21.0	UC48C	1150	35.8	24.8	13.25	11.35
YHJD36S41S4	TM9E100C20MP11	21.0	FC/MC/PC43C	1150	36.0	26.2	13.50	11.35
YHJD36S41S4	TM9E100C20MP11	21.0	FC/MC/PC48C	1150	36.0	26.6	13.50	11.35
YHJD36S41S4	TM9E100C20MP11	21.0	UC48C	1150	35.8	24.8	13.25	11.35
YHJD36S41S4	TM9E120D20MP11	24.5	FC/MC/PC48D	1175	36.0	26.6	13.50	11.35
YHJD36S41S4	TM9E120D20MP11	24.5	UC48D	1175	35.8	24.8	13.50	11.35
YHJD36S41S4	TM9X060B12MP11	17.5	FC/MC/PC43B	1125	36.0	26.0	13.10	11.00
YHJD36S41S4	TM9X080B12MP11	17.5	FC/MC/PC43B	1125	36.0	26.0	13.10	11.00
YHJD36S41S4	TM9X080C16MP11	21.0	FC/MC/PC43C	1175	36.0	26.2	13.50	11.35
YHJD36S41S4	TM9X080C16MP11	21.0	FC/MC/PC48C	1150	36.0	26.6	13.50	11.35
YHJD36S41S4	TM9X080C16MP11	21.0	UC48C	1150	35.8	24.8	13.25	11.35
YHJD36S41S4	TM9X100C16MP11	21.0	FC/MC/PC43C	1175	36.0	26.2	13.50	11.35
YHJD36S41S4	TM9X100C16MP11	21.0	FC/MC/PC48C	1150	36.0	26.6	13.50	11.35

For Notes see Page 16

COOLING CAPACITY - With High Efficiency Motor Furnaces (Continued)

UNIT MODEL	FURNACE		COIL MODEL	COOLING				
	MODEL	WIDTH		RATED CFM	Net MBH		SEER	EER
					TOTAL	SENS.		
13 SEER HP WITH HIGH EFFICIENCY MOTOR FURNACES²								
YHJD36S41S4	TM9X100C16MP11	21.0	UC48C	1150	35.8	24.8	13.25	11.35
YHJD36S41S4	TM9X100C20MP11	21.0	FC/MC/PC43C	1150	36.0	26.2	13.50	11.35
YHJD36S41S4	TM9X100C20MP11	21.0	FC/MC/PC48C	1150	36.0	26.6	13.50	11.35
YHJD36S41S4	TM9X100C20MP11	21.0	UC48C	1150	35.8	24.8	13.25	11.35
YHJD36S41S4	TM9X120D20MP11	24.5	FC/MC/PC48D	1175	36.0	26.6	13.50	11.35
YHJD36S41S4	TM9X120D20MP11	24.5	UC48D	1175	35.8	24.8	13.50	11.35
YHJD36S41S4	TMLX080B12MP11	17.5	FC/MC/PC43B	1175	36.0	26.0	13.10	11.00
YHJD36S41S4	TMLX080C16MP11	21.0	FC/MC/PC43C	1150	36.0	26.2	13.70	11.35
YHJD36S41S4	TMLX080C16MP11	21.0	FC/MC/PC48C	1150	36.0	26.6	13.70	11.35
YHJD36S41S4	TMLX080C16MP11	21.0	UC48C	1150	35.8	25.0	13.50	11.35
YHJD36S41S4	TMLX100C16MP11	21.0	FC/MC/PC43C	1150	36.0	26.2	13.70	11.35
YHJD36S41S4	TMLX100C16MP11	21.0	FC/MC/PC48C	1150	36.0	26.6	13.70	11.35
YHJD36S41S4	TMLX100C16MP11	21.0	UC48C	1150	35.8	25.0	13.50	11.35
YHJD36S41S4	TMLX100C20MP11	21.0	FC/MC/PC43C	1200	36.0	27.2	13.70	11.35
YHJD36S41S4	TMLX100C20MP11	21.0	FC/MC/PC48C	1200	36.0	27.4	13.70	11.35
YHJD36S41S4	TMLX100C20MP11	21.0	UC48C	1200	35.8	24.8	13.25	11.35
YHJD36S41S4	TMLX120C20MP11	21.0	FC/MC/PC43C	1200	36.0	27.2	13.70	11.35
YHJD36S41S4	TMLX120C20MP11	21.0	FC/MC/PC48C	1200	36.0	27.4	13.70	11.35
YHJD36S41S4	TMLX120C20MP11	21.0	UC48C	1200	35.8	24.8	13.25	11.35
YHJD36S41S4	Y*(8,L)C*A12	14.5	FC/MC/PC37A	1150	36.0	26.4	13.75	11.50
YHJD36S41S4	Y*(8,L)C*B12	17.5	FC/MC/PC43B	1270	36.0	27.2	13.75	11.50
YHJD36S41S4	Y*(8,L)C*C16	21.0	FC/MC/PC43C	1205	36.0	26.8	14.50	12.00
YHJD36S41S4	Y*(8,L)C*C16	21.0	FC/MC/PC48C	1210	36.0	26.6	14.50	12.00
YHJD36S41S4	Y*(8,L)C*C16	21.0	UC48C	1210	36.0	26.8	14.50	12.00
YHJD36S41S4	Y*(8,L)C*C20	21.0	FC/MC/PC43C	1190	36.0	26.8	14.50	12.00
YHJD36S41S4	Y*(8,L)C*C20	21.0	FC/MC/PC48C	1155	36.0	26.6	14.50	12.00
YHJD36S41S4	Y*(8,L)C*C20	21.0	UC48C	1155	36.0	26.8	14.50	12.00
YHJD36S41S4	Y*9C*B12	17.5	FC/MC/PC43B	1200	36.0	26.8	14.00	11.50
YHJD36S41S4	Y*9C*C16	21.0	FC/MC/PC43C	1240	36.0	27.0	14.00	12.00
YHJD36S41S4	Y*9C*C16	21.0	FC/MC/PC48C	1195	36.0	26.6	14.50	12.00
YHJD36S41S4	Y*9C*C16	21.0	UC48C	1195	36.0	26.8	14.50	12.00
YHJD36S41S4	Y*9C*C20	21.0	FC/MC/PC43C	1200	36.0	26.8	14.50	12.00
YHJD36S41S4	Y*9C*C20	21.0	FC/MC/PC48C	1330	36.0	27.6	14.50	12.00
YHJD36S41S4	Y*9C*C20	21.0	UC48C	1330	36.0	27.8	14.50	12.00
YHJD36S41S4	Y*9C*D20	24.5	FC/MC/PC48D	1240	36.0	26.6	14.50	12.00
YHJD36S41S4	Y*9C*D20	24.5	UC48D	1240	36.0	26.8	14.50	12.00
YHJD42S41S4	T*(8,L)V*C16	21.0	FC/MC/PC48C	1435	40.0	29.8	13.25	11.50
YHJD42S41S4	T*(8,L)V*C16	21.0	FC/PC60C	1420	41.5	32.2	14.00	12.00
YHJD42S41S4	T*(8,L)V*C16	21.0	UC60C	1420	41.0	31.4	13.75	11.50
YHJD42S41S4	T*(8,L)V*C20	21.0	FC/MC/PC48C	1410	40.0	29.6	13.50	11.50
YHJD42S41S4	T*(8,L)V*C20	21.0	FC/PC60C	1410	42.0	32.4	14.00	12.00
YHJD42S41S4	T*(8,L)V*C20	21.0	UC60C	1410	41.0	31.4	14.00	12.00
YHJD42S41S4	T*9(C,V)*C16	21.0	FC/MC/PC48C	1395	40.0	29.2	13.20	11.50
YHJD42S41S4	T*9(C,V)*C16	21.0	FC/PC60C	1445	41.0	32.0	13.25	11.50
YHJD42S41S4	T*9(C,V)*C16	21.0	UC60C	1445	40.5	31.0	13.20	11.50
YHJD42S41S4	T*9(C,V)*C20	21.0	FC/MC/PC48C	1430	40.0	29.6	13.15	11.50
YHJD42S41S4	T*9(C,V)*C20	21.0	FC/PC60C	1445	41.5	32.0	13.75	11.50
YHJD42S41S4	T*9(C,V)*C20	21.0	UC60C	1445	41.0	31.2	13.50	11.50
YHJD42S41S4	T*9(C,V)*D20	24.5	FC/MC/PC48D	1450	40.5	29.8	13.25	11.50
YHJD42S41S4	T*9(C,V)*D20	24.5	FC/MC/PC60D	1445	41.5	32.2	13.75	11.50
YHJD42S41S4	T*9(C,V)*D20	24.5	UC60D	1445	41.0	31.4	13.50	11.50
YHJD42S41S4	TM8X080C16MP11	21.0	FC/PC60C	1350	40.0	30.2	13.50	11.35
YHJD42S41S4	TM8X080C16MP11	21.0	UC60C	1350	39.5	29.6	13.25	11.35
YHJD42S41S4	TM8X100C16MP11	21.0	FC/PC60C	1350	40.0	30.2	13.50	11.35
YHJD42S41S4	TM8X100C16MP11	21.0	UC60C	1350	39.5	29.6	13.25	11.35

For Notes see Page 16

COOLING CAPACITY - With High Efficiency Motor Furnaces (Continued)

UNIT MODEL	FURNACE		COIL MODEL	COOLING				
	MODEL	WIDTH		RATED CFM	Net MBH		SEER	EER
					TOTAL	SENS.		
13 SEER HP WITH HIGH EFFICIENCY MOTOR FURNACES²								
YHJD42S41S4	TM8X100C20MP11	21.0	FC/PC60C	1375	40.0	30.2	13.50	11.35
YHJD42S41S4	TM8X100C20MP11	21.0	UC60C	1375	39.5	29.6	13.25	11.35
YHJD42S41S4	TM8X120C20MP11	21.0	FC/PC60C	1375	40.0	30.2	13.50	11.35
YHJD42S41S4	TM8X120C20MP11	21.0	UC60C	1375	39.5	29.6	13.25	11.35
YHJD42S41S4	TM9E120D20MP11	24.5	FC/MC/PC60D	1325	40.0	29.4	13.50	11.35
YHJD42S41S4	TM9E120D20MP11	24.5	UC60D	1325	39.5	29.6	13.25	11.35
YHJD42S41S4	TM9X120D20MP11	24.5	FC/MC/PC60D	1325	40.0	29.4	13.50	11.35
YHJD42S41S4	TM9X120D20MP11	24.5	UC60D	1325	39.5	29.6	13.25	11.35
YHJD42S41S4	TMLX080C16MP11	21.0	FC/PC60C	1350	40.0	30.2	13.50	11.35
YHJD42S41S4	TMLX080C16MP11	21.0	UC60C	1350	39.5	29.6	13.25	11.35
YHJD42S41S4	TMLX100C16MP11	21.0	FC/PC60C	1350	40.0	30.2	13.50	11.35
YHJD42S41S4	TMLX100C16MP11	21.0	UC60C	1350	39.5	29.6	13.25	11.35
YHJD42S41S4	TMLX100C20MP11	21.0	FC/PC60C	1375	40.0	30.2	13.50	11.35
YHJD42S41S4	TMLX100C20MP11	21.0	UC60C	1375	39.5	29.6	13.25	11.35
YHJD42S41S4	TMLX120C20MP11	21.0	FC/PC60C	1375	40.0	30.2	13.50	11.35
YHJD42S41S4	TMLX120C20MP11	21.0	UC60C	1375	39.5	29.6	13.25	11.35
YHJD42S41S4	Y*(8,L)C*C16	21.0	FC/MC/PC48C	1435	40.0	29.8	13.25	11.50
YHJD42S41S4	Y*(8,L)C*C16	21.0	FC/PC60C	1420	41.5	32.2	14.00	12.00
YHJD42S41S4	Y*(8,L)C*C16	21.0	UC60C	1420	41.0	31.4	13.75	11.50
YHJD42S41S4	Y*(8,L)C*C20	21.0	FC/MC/PC48C	1410	40.0	29.6	13.50	11.50
YHJD42S41S4	Y*(8,L)C*C20	21.0	FC/PC60C	1410	42.0	32.4	14.00	12.00
YHJD42S41S4	Y*(8,L)C*C20	21.0	UC60C	1410	41.0	31.4	14.00	12.00
YHJD42S41S4	Y*9C*C16	21.0	FC/MC/PC48C	1395	40.0	29.2	13.20	11.50
YHJD42S41S4	Y*9C*C16	21.0	FC/PC60C	1445	41.0	32.0	13.25	11.50
YHJD42S41S4	Y*9C*C16	21.0	UC60C	1445	40.5	31.0	13.20	11.50
YHJD42S41S4	Y*9C*C20	21.0	FC/MC/PC48C	1430	40.0	29.6	13.15	11.50
YHJD42S41S4	Y*9C*C20	21.0	FC/PC60C	1445	41.5	32.0	13.75	11.50
YHJD42S41S4	Y*9C*C20	21.0	UC60C	1445	41.0	31.2	13.50	11.50
YHJD42S41S4	Y*9C*D20	24.5	FC/MC/PC48D	1450	40.5	29.8	13.25	11.50
YHJD42S41S4	Y*9C*D20	24.5	FC/MC/PC60D	1445	41.5	32.2	13.75	11.50
YHJD42S41S4	Y*9C*D20	24.5	UC60D	1445	41.0	31.4	13.50	11.50
YHJD48S41S4	T*(8,L)V*C16	21.0	FC/MC62D	1635	45.0	34.2	14.50	12.00
YHJD48S41S4	T*(8,L)V*C16	21.0	FC/PC60C	1600	44.5	33.6	14.00	12.00
YHJD48S41S4	T*(8,L)V*C16	21.0	UC60C	1625	44.0	33.0	14.00	12.00
YHJD48S41S4	T*(8,L)V*C20	21.0	FC/MC62D	1615	45.0	34.2	14.50	12.00
YHJD48S41S4	T*(8,L)V*C20	21.0	FC/PC60C	1620	44.5	33.8	14.00	12.00
YHJD48S41S4	T*(8,L)V*C20	21.0	UC60C	1605	44.5	33.2	14.50	12.00
YHJD48S41S4	T*9(C,V)*C16	21.0	FC/MC62D	1590	45.0	34.0	14.00	12.00
YHJD48S41S4	T*9(C,V)*C16	21.0	FC/PC60C	1590	44.0	33.6	14.00	12.00
YHJD48S41S4	T*9(C,V)*C16	21.0	UC60C	1590	44.0	33.0	14.00	12.00
YHJD48S41S4	T*9(C,V)*C20	21.0	FC/MC62D	1655	44.5	33.8	14.00	12.00
YHJD48S41S4	T*9(C,V)*C20	21.0	FC/PC60C	1645	44.0	33.6	14.00	12.00
YHJD48S41S4	T*9(C,V)*C20	21.0	UC60C	1645	44.0	33.0	13.75	11.50
YHJD48S41S4	T*9(C,V)*D20	24.5	FC/MC/PC60D	1615	44.5	33.6	14.00	12.00
YHJD48S41S4	T*9(C,V)*D20	24.5	FC/MC62D	1630	45.0	34.0	14.00	12.00
YHJD48S41S4	T*9(C,V)*D20	24.5	UC60D	1615	44.0	33.0	14.00	12.00
YHJD48S41S4	TM8X080C16MP11	21.0	FC/MC62D	1550	45.0	34.0	14.20	12.00
YHJD48S41S4	TM8X080C16MP11	21.0	FC/PC60C	1525	45.0	33.8	14.20	12.00
YHJD48S41S4	TM8X080C16MP11	21.0	UC60C	1525	44.0	32.6	14.00	11.80
YHJD48S41S4	TM8X100C16MP11	21.0	FC/MC62D	1550	45.0	34.0	14.20	12.00
YHJD48S41S4	TM8X100C16MP11	21.0	FC/PC60C	1525	45.0	33.8	14.20	12.00
YHJD48S41S4	TM8X100C16MP11	21.0	UC60C	1525	44.0	32.6	14.00	11.80
YHJD48S41S4	TM8X100C20MP11	21.0	FC/MC62D	1575	45.0	34.0	14.50	12.00
YHJD48S41S4	TM8X100C20MP11	21.0	FC/PC60C	1550	45.0	33.8	14.50	12.00
YHJD48S41S4	TM8X100C20MP11	21.0	UC60C	1550	44.0	32.8	14.20	12.00

For Notes see Page 16

COOLING CAPACITY - With High Efficiency Motor Furnaces (Continued)

UNIT MODEL	FURNACE		COIL MODEL	COOLING				
	MODEL	WIDTH		RATED CFM	Net MBH		SEER	EER
					TOTAL	SENS.		
13 SEER HP WITH HIGH EFFICIENCY MOTOR FURNACES²								
YHJD48S41S4	TM8X120C20MP11	21.0	FC/MC62D	1575	45.0	34.0	14.50	12.00
YHJD48S41S4	TM8X120C20MP11	21.0	FC/PC60C	1550	45.0	33.8	14.50	12.00
YHJD48S41S4	TM8X120C20MP11	21.0	UC60C	1550	44.0	32.8	14.20	12.00
YHJD48S41S4	TM9E100C20MP11	21.0	FC/MC62D	1550	45.0	34.0	14.20	12.00
YHJD48S41S4	TM9E120D20MP11	24.5	FC/MC/PC60D	1550	45.0	33.8	14.50	12.00
YHJD48S41S4	TM9E120D20MP11	24.5	FC/MC62D	1550	45.0	34.0	14.50	12.00
YHJD48S41S4	TM9E120D20MP11	24.5	UC60D	1550	44.0	32.8	14.20	12.00
YHJD48S41S4	TM9X100C20MP11	21.0	FC/MC62D	1550	45.0	34.0	14.20	12.00
YHJD48S41S4	TM9X120D20MP11	24.5	FC/MC/PC60D	1550	45.0	33.8	14.50	12.00
YHJD48S41S4	TM9X120D20MP11	24.5	FC/MC62D	1550	45.0	34.0	14.50	12.00
YHJD48S41S4	TM9X120D20MP11	24.5	UC60D	1550	44.0	32.8	14.20	12.00
YHJD48S41S4	TMLX080C16MP11	21.0	FC/MC62D	1550	45.0	34.0	14.20	12.00
YHJD48S41S4	TMLX080C16MP11	21.0	FC/PC60C	1525	45.0	33.8	14.20	12.00
YHJD48S41S4	TMLX080C16MP11	21.0	UC60C	1525	44.0	32.6	14.00	11.80
YHJD48S41S4	TMLX100C16MP11	21.0	FC/MC62D	1550	45.0	34.0	14.20	12.00
YHJD48S41S4	TMLX100C16MP11	21.0	FC/PC60C	1525	45.0	33.8	14.20	12.00
YHJD48S41S4	TMLX100C16MP11	21.0	UC60C	1525	44.0	32.6	14.00	11.80
YHJD48S41S4	TMLX100C20MP11	21.0	FC/MC62D	1575	45.0	34.0	14.50	12.00
YHJD48S41S4	TMLX100C20MP11	21.0	FC/PC60C	1550	45.0	33.8	14.50	12.00
YHJD48S41S4	TMLX100C20MP11	21.0	UC60C	1550	44.0	32.8	14.20	12.00
YHJD48S41S4	TMLX120C20MP11	21.0	FC/MC62D	1575	45.0	34.0	14.50	12.00
YHJD48S41S4	TMLX120C20MP11	21.0	FC/PC60C	1550	45.0	33.8	14.50	12.00
YHJD48S41S4	TMLX120C20MP11	21.0	UC60C	1550	44.0	32.8	14.20	12.00
YHJD48S41S4	Y*(8,L)C*C16	21.0	FC/MC62D	1635	45.0	34.2	14.50	12.00
YHJD48S41S4	Y*(8,L)C*C16	21.0	FC/PC60C	1600	44.5	33.6	14.00	12.00
YHJD48S41S4	Y*(8,L)C*C16	21.0	UC60C	1625	44.0	33.0	14.00	12.00
YHJD48S41S4	Y*(8,L)C*C20	21.0	FC/MC62D	1615	45.0	34.2	14.50	12.00
YHJD48S41S4	Y*(8,L)C*C20	21.0	FC/PC60C	1620	44.5	33.8	14.00	12.00
YHJD48S41S4	Y*(8,L)C*C20	21.0	UC60C	1605	44.5	33.2	14.50	12.00
YHJD48S41S4	Y*9C*C16	21.0	FC/MC62D	1590	45.0	34.0	14.00	12.00
YHJD48S41S4	Y*9C*C16	21.0	FC/PC60C	1590	44.0	33.6	14.00	12.00
YHJD48S41S4	Y*9C*C16	21.0	UC60C	1590	44.0	33.0	14.00	12.00
YHJD48S41S4	Y*9C*C20	21.0	FC/MC62D	1655	44.5	33.8	14.00	12.00
YHJD48S41S4	Y*9C*C20	21.0	FC/PC60C	1645	44.0	33.6	14.00	12.00
YHJD48S41S4	Y*9C*C20	21.0	UC60C	1645	44.0	33.0	13.75	11.50
YHJD48S41S4	Y*9C*D20	24.5	FC/MC/PC60D	1615	44.5	33.6	14.00	12.00
YHJD48S41S4	Y*9C*D20	24.5	FC/MC62D	1630	45.0	34.0	14.00	12.00
YHJD48S41S4	Y*9C*D20	24.5	UC60D	1615	44.0	33.0	14.00	12.00
YHJD60S41S6	T*(8,L)V*C20	21.0	FC/MC62D	1600	53.5	38.0	13.70	11.35
YHJD60S41S6	T*(8,L)V*C20	21.0	FC64D	1855	56.0	41.0	13.70	11.35
YHJD60S41S6	T*9V*C20	21.0	FC/MC62D	1655	53.5	38.5	13.70	11.35
YHJD60S41S6	T*9V*C20	21.0	FC64D	1655	55.5	39.0	13.70	11.35
YHJD60S41S6	T*9V*D20	24.5	FC/MC62D	1630	53.5	38.5	13.70	11.35
YHJD60S41S6	T*9V*D20	24.5	FC64D	1630	55.0	38.5	13.70	11.35
YHJD60S41S6	TM8X080C16MP11	21.0	FC/MC62D	1550	53.5	37.8	13.70	11.35
YHJD60S41S6	TM8X080C16MP11	21.0	FC64D	1550	53.5	37.2	13.70	11.35
YHJD60S41S6	TM8X100C16MP11	21.0	FC/MC62D	1550	53.5	37.8	13.70	11.35
YHJD60S41S6	TM8X100C16MP11	21.0	FC64D	1550	53.5	37.2	13.70	11.35
YHJD60S41S6	TM8X100C20MP11	21.0	FC/MC62D	1575	54.0	38.0	13.70	11.35
YHJD60S41S6	TM8X100C20MP11	21.0	FC64D	1600	54.0	38.0	13.70	11.35
YHJD60S41S6	TM8X120C20MP11	21.0	FC/MC62D	1575	54.0	38.0	13.70	11.35
YHJD60S41S6	TM8X120C20MP11	21.0	FC64D	1600	54.0	38.0	13.70	11.35
YHJD60S41S6	TM9E100C20MP11	21.0	FC/MC62D	1550	53.5	37.8	13.70	11.35
YHJD60S41S6	TM9E100C20MP11	21.0	FC64D	1550	53.5	37.2	13.70	11.35
YHJD60S41S6	TM9E120D20MP11	24.5	FC/MC62D	1550	54.0	37.8	13.70	11.35

For Notes see Page 16

COOLING CAPACITY - With High Efficiency Motor Furnaces (Continued)

UNIT MODEL	FURNACE		COIL MODEL	COOLING				
	MODEL	WIDTH		RATED CFM	Net MBH		SEER	EER
					TOTAL	SENS.		
13 SEER HP WITH HIGH EFFICIENCY MOTOR FURNACES²								
YHJD60S41S6	TM9E120D20MP11	24.5	FC64D	1525	53.0	37.0	13.70	11.35
YHJD60S41S6	TM9X100C20MP11	21.0	FC/MC62D	1550	53.5	37.8	13.70	11.35
YHJD60S41S6	TM9X100C20MP11	21.0	FC64D	1550	53.5	37.2	13.70	11.35
YHJD60S41S6	TM9X120D20MP11	24.5	FC/MC62D	1550	54.0	37.8	13.70	11.35
YHJD60S41S6	TM9X120D20MP11	24.5	FC64D	1525	53.0	37.0	13.70	11.35
YHJD60S41S6	TMLX080C16MP11	21.0	FC/MC62D	1550	53.5	37.8	13.70	11.35
YHJD60S41S6	TMLX080C16MP11	21.0	FC64D	1550	53.5	37.2	13.70	11.35
YHJD60S41S6	TMLX100C16MP11	21.0	FC/MC62D	1550	53.5	37.8	13.70	11.35
YHJD60S41S6	TMLX100C16MP11	21.0	FC64D	1550	53.5	37.2	13.70	11.35
YHJD60S41S6	TMLX100C20MP11	21.0	FC/MC62D	1575	54.0	38.0	13.70	11.35
YHJD60S41S6	TMLX100C20MP11	21.0	FC64D	1600	54.0	38.0	13.70	11.35
YHJD60S41S6	TMLX120C20MP11	21.0	FC/MC62D	1575	54.0	38.0	13.70	11.35
YHJD60S41S6	TMLX120C20MP11	21.0	FC64D	1600	54.0	38.0	13.70	11.35
YHJD60S41S6	Y*(8,L)C*C20	21.0	FC/MC62D	1600	53.5	38.0	13.70	11.35
YHJD60S41S6	Y*(8,L)C*C20	21.0	FC64D	1855	56.0	41.0	13.70	11.35
YHJD60S41S6	Y*9C*C20	21.0	FC/MC62D	1655	53.5	38.5	13.70	11.35
YHJD60S41S6	Y*9C*C20	21.0	FC64D	1655	55.5	39.0	13.70	11.35
YHJD60S41S6	Y*9C*D20	24.5	FC/MC62D	1630	53.5	38.5	13.70	11.35
YHJD60S41S6	Y*9C*D20	24.5	FC64D	1630	55.0	38.5	13.70	11.35

1. MC coils available with a factory installed horizontal drain pan. See price pages for specific model number.

2. High Efficiency Motor Furnaces have B.O.D (Blower on Delay) standard.

PSC furnaces, such as the TG8S, TGLS, and TG9S, use Coil Only Ratings.

HEATING CAPACITY - With Air Handler Coils

UNIT MODEL	AIR HANDLER	COIL ¹ MODEL	HEATING ²						
			47°F			17°F			HSPF
			MBH	COP	KW	MBH	COP	KW	STD
13 SEER HP WITH AIR HANDLERS									
YHJD18S41S2	AHE18B	–	18.0	3.70	1.43	11.1	2.28	1.43	7.70
YHJD18S41S2	AHR18B	–	18.0	3.54	1.49	11.4	2.22	1.50	7.70
YHJD18S41S2	AHV18B	–	18.0	3.50	1.51	11.1	2.22	1.46	8.00
YHJD18S41S2	MV12B	FC/MC18B	18.0	3.58	1.39	8.6	2.52	1.24	7.95
YHJD18S41S2	MV12B	FC/MC24B	18.0	3.62	1.36	10.6	2.88	1.03	8.10
YHJD18S41S2	MV12B	FC/MC30B	18.0	3.62	1.36	10.6	2.88	1.03	8.10
YHJD18S41S2	MX12BN21	FC/MC18B	18.0	3.50	1.51	11.2	2.20	1.49	8.05
YHJD18S41S2	MX12BN21	FC/MC24B	18.0	3.68	1.43	11.1	2.30	1.41	8.20
YHJD18S41S2	MX12BN21	FC/MC30B	18.0	3.66	1.44	11.1	2.30	1.41	8.20
YHJD24S41S5	AHE22B	–	22.2	3.48	1.87	13.8	2.38	1.70	7.75
YHJD24S41S5	AHE24B	–	23.8	3.78	1.84	13.8	2.44	1.66	8.05
YHJD24S41S5	AHE30B	–	23.8	3.78	1.84	13.8	2.44	1.66	8.05
YHJD24S41S5	AHR22B	–	23.8	3.48	2.00	13.7	2.24	1.79	7.75
YHJD24S41S5	AHR24B	–	24.0	3.60	1.95	14.0	2.34	1.75	7.75
YHJD24S41S5	AHV24B	–	23.6	3.66	1.89	13.7	2.40	1.67	8.05
YHJD24S41S5	AHV30B	–	23.8	3.78	1.84	13.8	2.44	1.66	8.05
YHJD24S41S5	MV12B	FC/MC24B	22.2	3.56	1.83	13.9	2.44	1.67	7.75
YHJD24S41S5	MV12B	FC/MC24B	22.2	3.56	1.83	13.9	2.44	1.67	7.75
YHJD24S41S5	MV12B	FC/MC35B	23.8	3.80	1.84	13.8	2.46	1.64	8.05
YHJD24S41S5	MX12BN21	FC/MC24B	22.2	3.54	1.84	13.9	2.42	1.68	7.75
YHJD24S41S5	MX12BN21	FC/MC24B	22.2	3.54	1.84	13.9	2.42	1.68	7.75
YHJD24S41S5	MX12BN21	FC/MC35B	23.8	3.78	1.84	13.8	2.44	1.66	8.05
YHJD24S41S5	MX16CN21	FC/MC35C	24.0	3.76	1.87	13.9	2.42	1.68	8.05
YHJD30S41S5	AHE30B	–	28.8	3.78	2.23	13.8	2.30	1.76	7.75
YHJD30S41S5	AHR29C	–	28.6	3.52	2.38	14.7	2.16	1.99	7.70
YHJD30S41S5	AHR30B	–	30.0	3.74	2.40	14.2	2.20	1.89	7.70
YHJD30S41S5	AHV30B	–	29.0	3.72	2.28	13.9	2.26	1.80	7.75
YHJD30S41S5	MV12B	FC/MC30B	29.0	3.82	2.22	13.8	2.32	1.74	7.75
YHJD30S41S5	MV12B	FC/MC35B	28.8	3.86	2.19	13.7	2.34	1.72	7.75
YHJD30S41S5	MV12B	FC/MC36B	28.8	3.74	2.26	14.2	2.30	1.81	7.75
YHJD30S41S5	MV16C	FC/MC35C	26.6	3.76	2.07	14.0	2.46	1.67	7.75
YHJD30S41S5	MV16C	FC/MC36C	28.8	3.76	2.24	14.1	2.30	1.80	7.75
YHJD30S41S5	MX12BN21	FC/MC30B	28.6	3.78	2.22	13.6	2.30	1.73	7.75
YHJD30S41S5	MX12BN21	FC/MC35B	29.0	3.82	2.22	13.8	2.32	1.74	7.75
YHJD30S41S5	MX12BN21	FC/MC36B	28.8	3.74	2.26	14.1	2.30	1.80	7.75
YHJD30S41S5	MX16CN21	FC/MC35C	29.0	3.82	2.22	13.8	2.32	1.74	7.75
YHJD30S41S5	MX16CN21	FC/MC36C	30.0	3.98	2.28	13.5	2.28	1.73	8.05
YHJD34S41S1	AHR34C	–	34.4	3.50	2.88	19.6	2.22	2.59	7.70
YHJD36S41S4	AHE36C	–	30.6	3.44	2.61	21.6	2.84	2.23	8.20
YHJD36S41S4	AHE42D	–	30.6	3.48	2.93	21.4	2.88	2.42	8.20
YHJD36S41S4	AHR36B	–	31.4	3.28	2.80	22.6	2.68	2.47	7.70
YHJD36S41S4	AHR42C	–	31.4	3.32	2.77	22.2	2.70	2.41	7.70
YHJD36S41S4	AHV36C	–	30.8	3.42	2.64	22.0	2.78	2.32	8.00
YHJD36S41S4	AHV42D	–	30.6	3.46	2.59	21.6	2.88	2.20	8.20
YHJD36S41S4	MV12B	FC/MC43B	34.2	3.58	2.80	21.8	2.76	2.31	8.20
YHJD36S41S4	MV12D	FC/MC48D	33.8	3.70	2.68	21.6	2.86	2.21	8.20
YHJD36S41S4	MV16C	FC/MC43C	33.8	3.60	2.75	21.6	2.78	2.28	8.20
YHJD36S41S4	MV16C	FC/MC48C	34.0	3.64	2.74	21.8	2.82	2.27	8.20
YHJD36S41S4	MX12BN21	FC/MC43B	31.2	3.38	2.70	22.2	2.78	2.34	7.75
YHJD36S41S4	MX16CN21	FC/MC43C	31.6	3.42	2.71	22.4	2.80	2.34	7.75
YHJD36S41S4	MX12DN21	FC/MC48D	31.0	3.48	2.61	21.8	2.88	2.22	8.05
YHJD36S41S4	MX16CN21	FC/MC48C	31.6	3.44	2.69	22.4	2.78	2.36	7.75

For Notes see Page 18

HEATING CAPACITY - With Air Handler Coils (Continued)

UNIT MODEL	AIR HANDLER	COIL ¹ MODEL	HEATING ²						
			47°F			17°F			HSPF
			MBH	COP	KW	MBH	COP	KW	STD
13 SEER HP WITH AIR HANDLERS									
YHJD36S41S4	MX20DN21	FC/MC48D	31.4	3.54	2.60	22.0	2.90	2.22	8.20
YHJD42S41S4	AHE48D	—	39.0	3.90	3.00	21.8	2.64	2.52	8.20
YHJD42S41S4	AHR48D	—	40.0	3.66	3.20	22.4	2.48	2.65	7.70
YHJD42S41S4	AHV48D	—	39.5	3.86	3.00	21.0	2.54	2.42	8.20
YHJD42S41S4	MV16C	FC/MC48C	36.0	3.58	2.95	23.4	2.76	2.48	8.20
YHJD42S41S4	MV16C	FC60C	40.0	3.86	3.04	21.4	2.50	2.51	8.20
YHJD42S41S4	MV20D	FC/MC48D	36.0	3.66	2.88	23.4	2.82	2.43	8.20
YHJD42S41S4	MV20D	FC/MC60D	39.5	3.94	2.94	22.2	2.66	2.45	8.20
YHJD42S41S4	MX16CN21	FC60C	40.5	3.82	3.11	21.6	2.44	2.59	7.75
YHJD42S41S4	MX20DN21	FC/MC60D	40.0	3.92	2.99	21.2	2.52	2.46	8.05
YHJD48S41S4	AHE48D	—	45.5	3.68	3.62	26.8	2.84	2.76	8.20
YHJD48S41S4	AHE60D	—	44.5	3.72	3.50	26.4	2.90	2.67	8.20
YHJD48S41S4	AHR48D	—	46.0	3.56	3.79	27.4	2.74	2.93	7.70
YHJD48S41S4	AHR60D	—	45.5	3.52	3.79	27.2	2.74	2.91	7.75
YHJD48S41S4	AHV48D	—	44.5	3.56	3.66	26.4	2.78	2.78	8.20
YHJD48S41S4	AHV60D	—	45.0	3.62	3.64	26.8	2.82	2.78	8.20
YHJD48S41S4	MV16C	FC60C	45.0	3.70	3.56	26.6	2.90	2.69	8.20
YHJD48S41S4	MV20D	FC/MC60D	45.5	3.72	3.58	27.0	2.86	2.77	8.20
YHJD48S41S4	MV20D	FC/MC62D	45.0	3.72	3.54	26.6	2.90	2.69	8.20
YHJD48S41S4	MX20DN21	FC/MC62D	44.0	3.72	3.47	26.8	2.88	2.73	8.50
YHJD48S41S4	MX16CN21	FC60C	44.0	3.58	3.60	27.0	2.78	2.85	8.50
YHJD48S41S4	MX20DN21	FC/MC60D	44.0	3.68	3.50	26.6	2.86	2.73	8.50
YHJD60S41S6	AHE60D	—	55.5	3.70	4.39	31.0	2.44	3.72	7.75
YHJD60S41S6	AHR60D	—	56.5	3.60	4.60	31.4	2.36	3.90	7.70
YHJD60S41S6	AHV60D	—	55.0	3.54	4.55	30.8	2.34	3.86	7.75
YHJD60S41S6	MV20D	FC/MC62D	56.0	3.66	4.48	31.2	2.40	3.81	7.75
YHJD60S41S6	MV20D	FC64D	58.0	3.82	4.45	31.6	2.48	3.73	8.70
YHJD60S41S6	MX20DN21	FC/MC62D	55.0	3.70	4.36	31.4	2.36	3.90	8.05
YHJD60S41S6	MX20DN21	FC64D	58.0	4.06	4.19	31.4	2.36	3.90	8.20

* Designated match-ups require a TXV. Other matches on this page can use a TXV or orifice.

1. Rated CFM same as for cooling.

2. Heating MBH based on AHR standards of 70 °F DB (Dry Bulb) entering indoor air, 72% RH (Relative Humidity) outdoor air with 25 feet of interconnecting piping and no supplemental electric heat operation.

COP equals MBH output divided by (total KW input x 3.412).

HSPF (Heating Seasonal Performance Factor) is the total heating output during a normal annual usage period for heating divided by the total electric power input during the same period.

MA Modular Air Handlers use Coil Only Ratings.

— = Not Applicable.

HEATING CAPACITY - Upflow, Downflow, and Horizontal Furnaces and Coils (Coil Only Ratings)

UNIT MODEL	COIL ¹ MODEL	HEATING ²						HSPF	
		47°F			17°F				STD
		MBH	COP	KW	MBH	COP	KW		
13 SEER HP COIL ONLY RATINGS									
YHJD18S41S2	FC/MC/PC18	18.0	3.36	1.50	12.7	2.16	1.24	8.20	
YHJD18S41S2	FC/MC/PC24	18.0	3.36	1.45	10.4	2.60	1.17	8.20	
YHJD18S41S2	FC/MC/PC30	18.0	3.42	1.54	11.4	2.18	1.53	7.75	
YHJD18S41S2	UC24	18.0	3.42	1.54	11.4	2.20	1.52	7.75	
YHJD18S41S2	UC30	18.0	3.42	1.54	11.4	2.20	1.52	7.75	
YHJD24S41S5	FC/MC/PC24	23.8	3.46	2.02	14.0	2.24	1.83	7.70	
YHJD24S41S5	FC/MC/PC30	23.8	3.46	2.02	14.1	2.24	1.84	7.70	
YHJD24S41S5	FC/MC/PC32	24.0	3.58	1.96	14.3	2.32	1.81	7.75	
YHJD24S41S5	FC/MC/PC35	24.0	3.58	1.96	14.3	2.32	1.81	7.75	
YHJD24S41S5	UC24	24.0	3.52	2.00	14.4	2.24	1.88	7.75	
YHJD24S41S5	UC30	24.0	3.52	2.00	14.4	2.24	1.88	7.75	
YHJD30S41S5	FC/MC/PC30	28.2	3.44	2.40	14.7	2.14	2.01	7.70	
YHJD30S41S5	FC/MC/PC32+TXV*	29.4	3.62	2.38	14.2	2.20	1.89	7.75	
YHJD30S41S5	FC/MC/PC35+TXV*	29.4	3.64	2.37	14.2	2.20	1.89	7.75	
YHJD30S41S5	FC/MC/PC36+TXV*	29.4	3.54	2.43	14.6	2.16	1.98	7.75	
YHJD36S41S4	FC/MC/PC37	34.4	3.42	2.95	22.4	2.62	2.51	7.70	
YHJD36S41S4	FC/MC/PC43	34.6	3.40	2.98	22.2	2.60	2.50	7.70	
YHJD36S41S4	FC/MC/PC48	34.8	3.44	2.96	22.6	2.64	2.51	7.70	
YHJD36S41S4	UC48	35.0	3.52	2.91	22.4	2.62	2.51	7.70	
YHJD42S41S4	FC/MC/PC60	40.5	3.72	3.19	23.0	2.50	2.70	7.70	
YHJD42S41S4	UC60	40.0	3.68	3.18	22.8	2.48	2.69	7.70	
YHJD48S41S4	FC/MC/PC60+TXV*	46.0	3.58	3.76	27.4	2.76	2.91	7.70	
YHJD48S41S4	FC/MC62+TXV*	46.0	3.54	3.81	27.4	2.76	2.91	7.70	
YHJD48S41S4	UC60+TXV*	46.0	3.56	3.79	27.4	2.74	2.93	7.70	
YHJD60S41S6	FC/MC62+TXV*	56.0	3.60	4.56	31.2	2.36	3.87	7.75	
YHJD60S41S6	FC64+TXV*	58.0	3.72	4.61	31.8	2.42	3.85	7.75	

* Designated match-ups require a TXV. Other matches on this page can use a TXV or orifice.

1. Rated CFM same as for cooling.

2. Heating MBH based on AHRI standards of 70 °F DB (Dry Bulb) entering indoor air, 72% RH (Relative Humidity) outdoor air with 25 feet of interconnecting piping and no supplemental electric heat operation.

COP equals MBH output divided by (total KW input x 3.412).

HSPF (Heating Seasonal Performance Factor) is the total heating output during a normal annual usage period for heating divided by the total electric power input during the same period.

MA Modular Air Handlers use Coil Only Ratings.

PSC furnaces, such as the TG8S, TGLS, and TG9S, use Coil Only Ratings.

— = Not Applicable.

HEATING CAPACITY - With High Efficiency Motor Furnaces

UNIT MODEL	FURNACE MODEL	COIL ¹ MODEL	HEATING ²						
			47°F			17°F			HSPF
			MBH	COP	KW	MBH	COP	KW	STD
13 SEER HP WITH HIGH EFFICIENCY MOTOR FURNACES³									
YHJD18S41S2	T*(8,L)V*A12	FC/MC/PC18A	18.0	3.58	1.37	7.7	2.28	0.99	8.00
YHJD18S41S2	T*(8,L)V*A12	FC/MC/PC24A	18.0	3.70	1.36	10.6	2.90	1.07	8.30
YHJD18S41S2	T*(8,L)V*A12	FC/MC/PC30A	18.0	3.70	1.36	10.6	2.90	1.07	8.30
YHJD18S41S2	T*(8,L)V*A12	UC18A	18.0	3.62	1.37	9.1	2.58	1.03	8.10
YHJD18S41S2	T*(8,L)V*A12	UC24A	18.0	3.72	1.36	10.7	2.94	1.07	8.30
YHJD18S41S2	T*(8,L)V*A12	UC30A	18.0	3.72	1.36	10.7	2.94	1.07	8.30
YHJD18S41S2	T*(8,L)V*B12	FC/MC/PC18B	18.0	3.56	1.37	7.7	2.30	0.98	7.90
YHJD18S41S2	T*(8,L)V*B12	FC/MC/PC24B	18.0	3.68	1.34	10.1	2.88	1.03	8.20
YHJD18S41S2	T*(8,L)V*B12	FC/MC/PC30B	18.0	3.68	1.34	10.1	2.88	1.03	8.20
YHJD18S41S2	T*(8,L)V*B12	UC18B	18.0	3.60	1.36	9.7	2.74	1.04	8.00
YHJD18S41S2	T*(8,L)V*B12	UC24B	18.0	3.70	1.34	10.5	2.96	1.04	8.20
YHJD18S41S2	T*(8,L)V*B12	UC30B	18.0	3.70	1.34	10.4	2.96	1.03	8.20
YHJD18S41S2	T*9(C,V)*B12	FC/MC/PC18B	18.0	3.60	1.36	7.7	2.30	0.98	8.00
YHJD18S41S2	T*9(C,V)*B12	FC/MC/PC24B	18.0	3.74	1.34	10.5	2.94	1.05	8.30
YHJD18S41S2	T*9(C,V)*B12	FC/MC/PC30B	18.0	3.74	1.34	10.5	2.94	1.05	8.30
YHJD18S41S2	T*9(C,V)*B12	UC18B	18.0	3.64	1.35	9.1	2.62	1.02	8.10
YHJD18S41S2	T*9(C,V)*B12	UC24B	18.0	3.76	1.34	10.7	2.96	1.06	8.30
YHJD18S41S2	T*9(C,V)*B12	UC30B	18.0	3.76	1.34	10.7	2.96	1.06	8.30
YHJD18S41S2	T*9V*A10	FC/MC/PC18A	18.0	3.44	1.62	11.2	2.18	1.51	7.90
YHJD18S41S2	T*9V*A10	FC/MC/PC24A	18.0	3.60	1.55	11.1	2.28	1.43	7.95
YHJD18S41S2	T*9V*A10	FC/MC/PC30A	18.0	3.60	1.55	11.1	2.28	1.43	7.95
YHJD18S41S2	TM8X060A12MP11	FC/MC/PC18A	18.0	3.46	1.52	11.2	2.16	1.52	8.05
YHJD18S41S2	TM8X060A12MP11	FC/MC/PC24A	18.0	3.64	1.45	11.1	2.28	1.43	8.05
YHJD18S41S2	TM8X060A12MP11	FC/MC/PC30A	18.0	3.64	1.45	11.1	2.28	1.43	8.05
YHJD18S41S2	TM8X060A12MP11	UC18A	18.0	3.50	1.51	11.2	2.22	1.48	8.05
YHJD18S41S2	TM8X060A12MP11	UC24A	18.0	3.62	1.46	11.0	2.32	1.39	8.05
YHJD18S41S2	TM8X060A12MP11	UC30A	18.0	3.62	1.46	11.0	2.32	1.39	8.05
YHJD18S41S2	TM8X080B12MP11	FC/MC/PC18B	18.0	3.46	1.52	11.3	2.16	1.53	8.05
YHJD18S41S2	TM8X080B12MP11	FC/MC/PC24B	18.0	3.62	1.46	11.1	2.28	1.43	8.05
YHJD18S41S2	TM8X080B12MP11	FC/MC/PC30B	18.0	3.62	1.46	11.1	2.28	1.43	8.05
YHJD18S41S2	TM8X080B12MP11	UC18B	18.0	3.50	1.51	11.2	2.22	1.48	8.05
YHJD18S41S2	TM8X080B12MP11	UC24B	18.0	3.60	1.46	11.1	2.30	1.41	8.05
YHJD18S41S2	TM8X080B12MP11	UC30B	18.0	3.60	1.46	11.1	2.30	1.41	8.05
YHJD18S41S2	TM9E040A10MP11	FC/MC/PC18A	18.0	3.34	1.58	11.5	2.10	1.60	7.75
YHJD18S41S2	TM9E040A10MP11	FC/MC/PC24A	18.0	3.48	1.52	11.4	2.20	1.52	7.75
YHJD18S41S2	TM9E040A10MP11	FC/MC/PC30A	18.0	3.48	1.52	11.4	2.20	1.52	7.75
YHJD18S41S2	TM9E040A10MP11	UC18A	18.0	3.38	1.56	11.4	2.16	1.55	7.75
YHJD18S41S2	TM9E040A10MP11	UC24A	18.0	3.46	1.52	11.3	2.22	1.49	7.75
YHJD18S41S2	TM9E040A10MP11	UC30A	18.0	3.46	1.52	11.3	2.22	1.49	7.75
YHJD18S41S2	TM9E060B12MP11	FC/MC/PC18B	18.0	3.44	1.53	11.3	2.16	1.53	7.75
YHJD18S41S2	TM9E060B12MP11	FC/MC/PC24B	18.0	3.60	1.46	11.2	2.26	1.45	8.05
YHJD18S41S2	TM9E060B12MP11	FC/MC/PC30B	18.0	3.60	1.46	11.2	2.26	1.45	8.05
YHJD18S41S2	TM9E060B12MP11	UC18B	18.0	3.48	1.52	11.2	2.20	1.49	7.75
YHJD18S41S2	TM9E060B12MP11	UC24B	18.0	3.58	1.47	11.1	2.30	1.41	7.75
YHJD18S41S2	TM9E060B12MP11	UC30B	18.0	3.58	1.47	11.1	2.30	1.41	7.75
YHJD18S41S2	TM9E080B12MP11	FC/MC/PC18B	18.0	3.44	1.53	11.3	2.16	1.53	7.75
YHJD18S41S2	TM9E080B12MP11	FC/MC/PC24B	18.0	3.60	1.46	11.2	2.26	1.45	8.05
YHJD18S41S2	TM9E080B12MP11	FC/MC/PC30B	18.0	3.60	1.46	11.2	2.26	1.45	8.05
YHJD18S41S2	TM9E080B12MP11	UC18B	18.0	3.48	1.52	11.2	2.20	1.49	7.75
YHJD18S41S2	TM9E080B12MP11	UC24B	18.0	3.58	1.47	11.1	2.30	1.41	7.75
YHJD18S41S2	TM9E080B12MP11	UC30B	18.0	3.58	1.47	11.1	2.30	1.41	7.75
YHJD18S41S2	TM9X040A10MP11	FC/MC/PC18A	18.0	3.34	1.58	11.5	2.10	1.60	7.75
YHJD18S41S2	TM9X040A10MP11	FC/MC/PC24A	18.0	3.48	1.52	11.4	2.20	1.52	7.75
YHJD18S41S2	TM9X040A10MP11	FC/MC/PC30A	18.0	3.48	1.52	11.4	2.20	1.52	7.75

For Notes see Page 29

HEATING CAPACITY - With High Efficiency Motor Furnaces (Continued)

UNIT MODEL	FURNACE MODEL	COIL ¹ MODEL	HEATING ²						
			47°F			17°F			HSPF
			MBH	COP	KW	MBH	COP	KW	STD
13 SEER HP WITH HIGH EFFICIENCY MOTOR FURNACES³									
YHJD18S41S2	TM9X040A10MP11	UC18A	18.0	3.38	1.56	11.4	2.16	1.55	7.75
YHJD18S41S2	TM9X040A10MP11	UC24A	18.0	3.46	1.52	11.3	2.22	1.49	7.75
YHJD18S41S2	TM9X040A10MP11	UC30A	18.0	3.46	1.52	11.3	2.22	1.49	7.75
YHJD18S41S2	TM9X060B12MP11	FC/MC/PC18B	18.0	3.44	1.53	11.3	2.16	1.53	7.75
YHJD18S41S2	TM9X060B12MP11	FC/MC/PC24B	18.0	3.60	1.46	11.2	2.26	1.45	8.05
YHJD18S41S2	TM9X060B12MP11	FC/MC/PC30B	18.0	3.60	1.46	11.2	2.26	1.45	8.05
YHJD18S41S2	TM9X060B12MP11	UC18B	18.0	3.48	1.52	11.2	2.20	1.49	7.75
YHJD18S41S2	TM9X060B12MP11	UC24B	18.0	3.58	1.47	11.1	2.30	1.41	7.75
YHJD18S41S2	TM9X060B12MP11	UC30B	18.0	3.58	1.47	11.1	2.30	1.41	7.75
YHJD18S41S2	TM9X080B12MP11	FC/MC/PC18B	18.0	3.44	1.53	11.3	2.16	1.53	7.75
YHJD18S41S2	TM9X080B12MP11	FC/MC/PC24B	18.0	3.60	1.46	11.2	2.26	1.45	8.05
YHJD18S41S2	TM9X080B12MP11	FC/MC/PC30B	18.0	3.60	1.46	11.2	2.26	1.45	8.05
YHJD18S41S2	TM9X080B12MP11	UC18B	18.0	3.48	1.52	11.2	2.20	1.49	7.75
YHJD18S41S2	TM9X080B12MP11	UC24B	18.0	3.58	1.47	11.1	2.30	1.41	7.75
YHJD18S41S2	TM9X080B12MP11	UC30B	18.0	3.58	1.47	11.1	2.30	1.41	7.75
YHJD18S41S2	TMLX060A12MP11	FC/MC/PC18A	18.0	3.46	1.52	11.2	2.16	1.52	8.05
YHJD18S41S2	TMLX060A12MP11	FC/MC/PC24A	18.0	3.64	1.45	11.1	2.28	1.43	8.05
YHJD18S41S2	TMLX060A12MP11	FC/MC/PC30A	18.0	3.64	1.45	11.1	2.28	1.43	8.05
YHJD18S41S2	TMLX060A12MP11	UC18A	18.0	3.50	1.51	11.2	2.22	1.48	8.05
YHJD18S41S2	TMLX060A12MP11	UC24A	18.0	3.62	1.46	11.0	2.32	1.39	8.05
YHJD18S41S2	TMLX060A12MP11	UC30A	18.0	3.62	1.46	11.0	2.32	1.39	8.05
YHJD18S41S2	TMLX080B12MP11	FC/MC/PC18B	18.0	3.46	1.52	11.3	2.16	1.53	8.05
YHJD18S41S2	TMLX080B12MP11	FC/MC/PC24B	18.0	3.62	1.46	11.1	2.28	1.43	8.05
YHJD18S41S2	TMLX080B12MP11	FC/MC/PC30B	18.0	3.62	1.46	11.1	2.28	1.43	8.05
YHJD18S41S2	TMLX080B12MP11	UC18B	18.0	3.50	1.51	11.2	2.22	1.48	8.05
YHJD18S41S2	TMLX080B12MP11	UC24B	18.0	3.60	1.46	11.1	2.30	1.41	8.05
YHJD18S41S2	TMLX080B12MP11	UC24B	18.0	3.60	1.46	11.1	2.30	1.41	8.05
YHJD18S41S2	TMLX080B12MP11	UC30B	18.0	3.60	1.46	11.1	2.30	1.41	8.05
YHJD18S41S2	Y*(8,L)C*A12	FC/MC/PC18A	18.0	3.58	1.37	7.7	2.28	0.99	8.00
YHJD18S41S2	Y*(8,L)C*A12	FC/MC/PC24A	18.0	3.70	1.36	10.6	2.90	1.07	8.30
YHJD18S41S2	Y*(8,L)C*A12	FC/MC/PC30A	18.0	3.70	1.36	10.6	2.90	1.07	8.30
YHJD18S41S2	Y*(8,L)C*A12	UC18A	18.0	3.62	1.37	9.1	2.58	1.03	8.10
YHJD18S41S2	Y*(8,L)C*A12	UC24A	18.0	3.72	1.36	10.7	2.94	1.07	8.30
YHJD18S41S2	Y*(8,L)C*A12	UC30A	18.0	3.72	1.36	10.7	2.94	1.07	8.30
YHJD18S41S2	Y*(8,L)C*B12	FC/MC/PC18B	18.0	3.56	1.37	7.7	2.30	0.98	7.90
YHJD18S41S2	Y*(8,L)C*B12	FC/MC/PC24B	18.0	3.68	1.34	10.1	2.88	1.03	8.20
YHJD18S41S2	Y*(8,L)C*B12	FC/MC/PC30B	18.0	3.68	1.34	10.1	2.88	1.03	8.20
YHJD18S41S2	Y*(8,L)C*B12	UC18B	18.0	3.60	1.36	9.7	2.74	1.04	8.00
YHJD18S41S2	Y*(8,L)C*B12	UC24B	18.0	3.70	1.34	10.5	2.96	1.04	8.20
YHJD18S41S2	Y*(8,L)C*B12	UC30B	18.0	3.70	1.34	10.4	2.96	1.03	8.20
YHJD18S41S2	Y*9C*B12	FC/MC/PC18B	18.0	3.60	1.36	7.7	2.30	0.98	8.00
YHJD18S41S2	Y*9C*B12	FC/MC/PC24B	18.0	3.74	1.34	10.5	2.94	1.05	8.30
YHJD18S41S2	Y*9C*B12	FC/MC/PC30B	18.0	3.74	1.34	10.5	2.94	1.05	8.30
YHJD18S41S2	Y*9C*B12	UC18B	18.0	3.64	1.35	9.1	2.62	1.02	8.10
YHJD18S41S2	Y*9C*B12	UC24B	18.0	3.76	1.34	10.7	2.96	1.06	8.30
YHJD18S41S2	Y*9C*B12	UC30B	18.0	3.76	1.34	10.7	2.96	1.06	8.30
YHJD24S41S5	T*(8,L)V*A12	FC/MC/PC24A	22.2	3.54	1.84	13.9	2.42	1.68	7.75
YHJD24S41S5	T*(8,L)V*A12	FC/MC/PC30A	22.2	3.54	1.84	13.9	2.42	1.68	7.75
YHJD24S41S5	T*(8,L)V*A12	FC/MC/PC32A	23.8	3.72	1.87	13.7	2.42	1.66	7.75
YHJD24S41S5	T*(8,L)V*A12	UC24A	22.4	3.56	1.84	14.4	2.42	1.74	7.75
YHJD24S41S5	T*(8,L)V*A12	UC30A	22.4	3.56	1.84	14.4	2.42	1.74	7.75
YHJD24S41S5	T*(8,L)V*B12	FC/MC/PC24B	22.2	3.50	1.86	13.9	2.40	1.70	7.75
YHJD24S41S5	T*(8,L)V*B12	FC/MC/PC30B	22.2	3.50	1.86	13.9	2.40	1.70	7.75
YHJD24S41S5	T*(8,L)V*B12	FC/MC/PC35B	23.8	3.80	1.84	13.8	2.46	1.64	7.75
YHJD24S41S5	T*(8,L)V*B12	UC24B	22.4	3.60	1.82	14.3	2.42	1.73	7.75

For Notes see Page 29

HEATING CAPACITY - With High Efficiency Motor Furnaces (Continued)

UNIT MODEL	FURNACE MODEL	COIL ¹ MODEL	HEATING ²						
			47°F			17°F			HSPF
			MBH	COP	KW	MBH	COP	KW	STD
13 SEER HP WITH HIGH EFFICIENCY MOTOR FURNACES³									
YHJD24S41S5	T*(8,L)V*B12	UC30B	22.4	3.60	1.82	14.3	2.42	1.73	7.75
YHJD24S41S5	T*(8,L)V*C16	FC/MC/PC35C	23.8	3.82	1.83	13.7	2.48	1.62	7.75
YHJD24S41S5	T*(8,L)V*C20	FC/MC/PC35C	23.6	3.78	1.83	13.6	2.44	1.63	7.75
YHJD24S41S5	T*9V*A10	FC/MC/PC24A	22.4	3.44	1.91	14.1	2.36	1.75	7.75
YHJD24S41S5	T*9V*A10	FC/MC/PC30A	22.4	3.44	1.91	14.1	2.36	1.75	7.75
YHJD24S41S5	T*9V*A10	FC/MC/PC32A	24.0	3.70	1.90	14.0	2.38	1.72	7.75
YHJD24S41S5	T*9V*B12	FC/MC/PC24B	22.2	3.52	1.85	14.0	2.40	1.71	7.75
YHJD24S41S5	T*9V*B12	FC/MC/PC30B	22.2	3.52	1.85	14.0	2.40	1.71	7.75
YHJD24S41S5	T*9V*B12	FC/MC/PC35B	23.8	3.76	1.85	13.9	2.42	1.68	7.75
YHJD24S41S5	T*9V*B12	UC24B	22.4	3.56	1.84	14.4	2.40	1.76	7.75
YHJD24S41S5	T*9V*B12	UC30B	22.4	3.56	1.84	14.4	2.40	1.76	7.75
YHJD24S41S5	T*9V*C16	FC/MC/PC35C	24.0	3.90	1.80	13.8	2.48	1.63	7.75
YHJD24S41S5	T*9V*C20	FC/MC/PC35C	23.6	3.76	1.84	13.7	2.44	1.65	7.75
YHJD24S41S5	TM8X060A12MP11	FC/MC/PC24A	22.2	3.48	1.87	13.8	2.40	1.68	7.75
YHJD24S41S5	TM8X060A12MP11	FC/MC/PC30A	22.2	3.48	1.87	13.8	2.40	1.68	7.75
YHJD24S41S5	TM8X060A12MP11	FC/MC/PC32A	23.8	3.76	1.85	13.9	2.44	1.67	7.75
YHJD24S41S5	TM8X060A12MP11	UC24A	22.2	3.52	1.85	14.3	2.40	1.75	7.75
YHJD24S41S5	TM8X060A12MP11	UC30A	22.2	3.52	1.85	14.3	2.40	1.75	7.75
YHJD24S41S5	TM8X080B12MP11	FC/MC/PC24B	22.2	3.54	1.84	13.9	2.42	1.68	7.75
YHJD24S41S5	TM8X080B12MP11	FC/MC/PC30B	22.2	3.54	1.84	13.9	2.42	1.68	7.75
YHJD24S41S5	TM8X080B12MP11	FC/MC/PC35B	23.8	3.72	1.87	13.7	2.42	1.66	7.75
YHJD24S41S5	TM8X080B12MP11	UC24B	22.4	3.58	1.83	14.4	2.42	1.74	7.75
YHJD24S41S5	TM8X080B12MP11	UC30B	22.4	3.58	1.83	14.4	2.42	1.74	7.75
YHJD24S41S5	TM8X080C16MP11	FC/MC/PC35C	24.0	3.70	1.90	14.0	2.40	1.71	7.75
YHJD24S41S5	TM8X100C16MP11	FC/MC/PC35C	24.0	3.70	1.90	14.0	2.40	1.71	7.75
YHJD24S41S5	TM8X100C20MP11	FC/MC/PC35C	24.0	3.68	1.93	14.1	2.38	1.74	7.75
YHJD24S41S5	TM8X120C20MP11	FC/MC/PC35C	24.0	3.68	1.93	14.1	2.38	1.74	7.75
YHJD24S41S5	TM9E040A10MP11	FC/MC/PC24A	22.6	3.38	1.96	14.3	2.32	1.81	7.75
YHJD24S41S5	TM9E040A10MP11	FC/MC/PC30A	22.6	3.38	1.96	14.3	2.32	1.81	7.75
YHJD24S41S5	TM9E040A10MP11	FC/MC/PC32A	24.0	3.64	1.95	14.1	2.36	1.75	7.75
YHJD24S41S5	TM9E040A10MP11	UC24A	22.8	3.42	1.95	14.7	2.32	1.86	7.75
YHJD24S41S5	TM9E040A10MP11	UC30A	22.8	3.42	1.95	14.7	2.32	1.86	7.75
YHJD24S41S5	TM9E060B12MP11	FC/MC/PC24B	22.4	3.44	1.91	14.1	2.36	1.75	7.75
YHJD24S41S5	TM9E060B12MP11	FC/MC/PC30B	22.4	3.44	1.91	14.1	2.36	1.75	7.75
YHJD24S41S5	TM9E060B12MP11	FC/MC/PC35B	24.0	3.70	1.90	14.0	2.40	1.71	7.75
YHJD24S41S5	TM9E060B12MP11	UC24B	22.6	3.48	1.90	14.6	2.36	1.81	7.75
YHJD24S41S5	TM9E060B12MP11	UC30B	22.6	3.48	1.90	14.6	2.36	1.81	7.75
YHJD24S41S5	TM9E080B12MP11	FC/MC/PC24B	22.4	3.44	1.91	14.1	2.36	1.75	7.75
YHJD24S41S5	TM9E080B12MP11	FC/MC/PC30B	22.4	3.44	1.91	14.1	2.36	1.75	7.75
YHJD24S41S5	TM9E080B12MP11	FC/MC/PC35B	24.0	3.70	1.90	14.0	2.40	1.71	7.75
YHJD24S41S5	TM9E080B12MP11	UC24B	22.6	3.48	1.90	14.6	2.36	1.81	7.75
YHJD24S41S5	TM9E080B12MP11	UC30B	22.6	3.48	1.90	14.6	2.36	1.81	7.75
YHJD24S41S5	TM9E080C16MP11	FC/MC/PC35C	24.0	3.66	1.94	14.1	2.36	1.75	7.75
YHJD24S41S5	TM9E100C16MP11	FC/MC/PC35C	24.0	3.66	1.94	14.1	2.36	1.75	7.75
YHJD24S41S5	TM9E100C20MP11	FC/MC/PC35C	24.0	3.76	1.87	13.9	2.42	1.68	7.75
YHJD24S41S5	TM9X040A10MP11	FC/MC/PC24A	22.6	3.38	1.96	14.3	2.32	1.81	7.75
YHJD24S41S5	TM9X040A10MP11	FC/MC/PC30A	22.6	3.38	1.96	14.3	2.32	1.81	7.75
YHJD24S41S5	TM9X040A10MP11	FC/MC/PC32A	24.0	3.64	1.95	14.1	2.36	1.75	7.75
YHJD24S41S5	TM9X040A10MP11	UC24A	22.8	3.42	1.95	14.7	2.32	1.86	7.75
YHJD24S41S5	TM9X040A10MP11	UC30A	22.8	3.42	1.95	14.7	2.32	1.86	7.75
YHJD24S41S5	TM9X060B12MP11	FC/MC/PC24B	22.4	3.44	1.91	14.1	2.36	1.75	7.75
YHJD24S41S5	TM9X060B12MP11	FC/MC/PC30B	22.4	3.44	1.91	14.1	2.36	1.75	7.75
YHJD24S41S5	TM9X060B12MP11	FC/MC/PC35B	24.0	3.70	1.90	14.0	2.40	1.71	7.75
YHJD24S41S5	TM9X060B12MP11	UC24B	22.6	3.48	1.90	14.6	2.36	1.81	7.75
YHJD24S41S5	TM9X060B12MP11	UC30B	22.6	3.48	1.90	14.6	2.36	1.81	7.75

For Notes see Page 29

HEATING CAPACITY - With High Efficiency Motor Furnaces (Continued)

UNIT MODEL	FURNACE MODEL	COIL ¹ MODEL	HEATING ²						
			47°F			17°F			HSPF
			MBH	COP	KW	MBH	COP	KW	STD
13 SEER HP WITH HIGH EFFICIENCY MOTOR FURNACES³									
YHJD24S41S5	TM9X080B12MP11	FC/MC/PC24B	22.4	3.44	1.91	14.1	2.36	1.75	7.75
YHJD24S41S5	TM9X080B12MP11	FC/MC/PC30B	22.4	3.44	1.91	14.1	2.36	1.75	7.75
YHJD24S41S5	TM9X080B12MP11	FC/MC/PC35B	24.0	3.70	1.90	14.0	2.40	1.71	7.75
YHJD24S41S5	TM9X080B12MP11	UC24B	22.6	3.48	1.90	14.6	2.36	1.81	7.75
YHJD24S41S5	TM9X080B12MP11	UC30B	22.6	3.48	1.90	14.6	2.36	1.81	7.75
YHJD24S41S5	TM9X080C16MP11	FC/MC/PC35C	24.0	3.66	1.94	14.1	2.36	1.75	7.75
YHJD24S41S5	TM9X100C16MP11	FC/MC/PC35C	24.0	3.66	1.94	14.1	2.36	1.75	7.75
YHJD24S41S5	TM9X100C20MP11	FC/MC/PC35C	24.0	3.76	1.87	13.9	2.42	1.68	7.75
YHJD24S41S5	TMLX060A12MP11	FC/MC/PC24A	22.2	3.48	1.87	13.8	2.40	1.68	7.75
YHJD24S41S5	TMLX060A12MP11	FC/MC/PC30A	22.2	3.48	1.87	13.8	2.40	1.68	7.75
YHJD24S41S5	TMLX060A12MP11	FC/MC/PC32A	23.8	3.76	1.85	13.9	2.44	1.67	7.75
YHJD24S41S5	TMLX060A12MP11	UC24A	22.2	3.52	1.85	14.3	2.40	1.75	7.75
YHJD24S41S5	TMLX060A12MP11	UC30A	22.2	3.52	1.85	14.3	2.40	1.75	7.75
YHJD24S41S5	TMLX080B12MP11	FC/MC/PC24B	22.2	3.54	1.84	13.9	2.42	1.68	7.75
YHJD24S41S5	TMLX080B12MP11	FC/MC/PC30B	22.2	3.54	1.84	13.9	2.42	1.68	7.75
YHJD24S41S5	TMLX080B12MP11	FC/MC/PC35B	23.8	3.72	1.87	13.7	2.42	1.66	7.75
YHJD24S41S5	TMLX080B12MP11	UC24B	22.4	3.58	1.83	14.4	2.42	1.74	7.75
YHJD24S41S5	TMLX080B12MP11	UC30B	22.4	3.58	1.83	14.4	2.42	1.74	7.75
YHJD24S41S5	TMLX080C16MP11	FC/MC/PC35C	24.0	3.70	1.90	14.0	2.40	1.71	7.75
YHJD24S41S5	TMLX100C16MP11	FC/MC/PC35C	24.0	3.70	1.90	14.0	2.40	1.71	7.75
YHJD24S41S5	TMLX100C20MP11	FC/MC/PC35C	24.0	3.68	1.93	14.1	2.38	1.74	7.75
YHJD24S41S5	TMLX120C20MP11	FC/MC/PC35C	24.0	3.68	1.93	14.1	2.38	1.74	7.75
YHJD24S41S5	Y*(8,L)C*A12	FC/MC/PC24A	22.2	3.54	1.84	13.9	2.42	1.68	7.75
YHJD24S41S5	Y*(8,L)C*A12	FC/MC/PC30A	22.2	3.54	1.84	13.9	2.42	1.68	7.75
YHJD24S41S5	Y*(8,L)C*A12	FC/MC/PC32A	23.8	3.72	1.87	13.7	2.42	1.66	7.75
YHJD24S41S5	Y*(8,L)C*A12	UC24A	22.4	3.56	1.84	14.4	2.42	1.74	7.75
YHJD24S41S5	Y*(8,L)C*A12	UC30A	22.4	3.56	1.84	14.4	2.42	1.74	7.75
YHJD24S41S5	Y*(8,L)C*B12	FC/MC/PC24B	22.2	3.50	1.86	13.9	2.40	1.70	7.75
YHJD24S41S5	Y*(8,L)C*B12	FC/MC/PC30B	22.2	3.50	1.86	13.9	2.40	1.70	7.75
YHJD24S41S5	Y*(8,L)C*B12	FC/MC/PC35B	23.8	3.80	1.84	13.8	2.46	1.64	7.75
YHJD24S41S5	Y*(8,L)C*B12	UC24B	22.4	3.60	1.82	14.3	2.42	1.73	7.75
YHJD24S41S5	Y*(8,L)C*B12	UC30B	22.4	3.60	1.82	14.3	2.42	1.73	7.75
YHJD24S41S5	Y*(8,L)C*C16	FC/MC/PC35C	23.8	3.82	1.83	13.7	2.48	1.62	7.75
YHJD24S41S5	Y*(8,L)C*C20	FC/MC/PC35C	23.6	3.78	1.83	13.6	2.44	1.63	7.75
YHJD24S41S5	Y*9C*B12	FC/MC/PC24B	22.2	3.52	1.85	14.0	2.40	1.71	7.75
YHJD24S41S5	Y*9C*B12	FC/MC/PC30B	22.2	3.52	1.85	14.0	2.40	1.71	7.75
YHJD24S41S5	Y*9C*B12	FC/MC/PC35B	23.8	3.76	1.85	13.9	2.42	1.68	7.75
YHJD24S41S5	Y*9C*B12	UC24B	22.4	3.56	1.84	14.4	2.40	1.76	7.75
YHJD24S41S5	Y*9C*B12	UC30B	22.4	3.56	1.84	14.4	2.40	1.76	7.75
YHJD24S41S5	Y*9C*C16	FC/MC/PC35C	24.0	3.90	1.80	13.8	2.48	1.63	7.75
YHJD24S41S5	Y*9C*C20	FC/MC/PC35C	23.6	3.76	1.84	13.7	2.44	1.65	7.75
YHJD30S41S5	T*(8,L)V*A12	FC/MC/PC30A	29.4	3.78	2.28	14.1	2.28	1.81	7.75
YHJD30S41S5	T*(8,L)V*A12	FC/MC/PC36A	28.8	3.74	2.26	14.1	2.30	1.80	7.75
YHJD30S41S5	T*(8,L)V*B12	FC/MC/PC30B	28.6	3.78	2.22	13.7	2.30	1.75	7.75
YHJD30S41S5	T*(8,L)V*B12	FC/MC/PC35B	29.0	3.76	2.26	13.9	2.28	1.79	7.75
YHJD30S41S5	T*(8,L)V*B12	FC/MC/PC36B	29.0	3.68	2.31	14.3	2.26	1.85	7.75
YHJD30S41S5	T*(8,L)V*C16	FC/MC/PC35C	28.8	3.84	2.20	13.8	2.32	1.74	7.75
YHJD30S41S5	T*(8,L)V*C16	FC/MC/PC36C	28.8	3.74	2.26	14.2	2.30	1.81	7.75
YHJD30S41S5	T*(8,L)V*C20	FC/MC/PC35C	29.0	3.80	2.24	13.8	2.30	1.76	7.75
YHJD30S41S5	T*(8,L)V*C20	FC/MC/PC36C	29.2	3.64	2.35	14.4	2.22	1.90	7.75
YHJD30S41S5	T*9V*B12	FC/MC/PC30B	26.8	3.62	2.17	14.4	2.34	1.80	7.75
YHJD30S41S5	T*9V*B12	FC/MC/PC36B	29.0	3.72	2.28	14.2	2.28	1.82	7.75
YHJD30S41S5	T*9V*C16	FC/MC/PC35C	29.0	3.82	2.22	13.8	2.32	1.74	7.75
YHJD30S41S5	T*9V*C16	FC/MC/PC36C	28.8	3.76	2.24	14.1	2.30	1.80	7.75
YHJD30S41S5	T*9V*C20	FC/MC/PC35C	29.0	3.84	2.21	13.8	2.32	1.74	7.75

For Notes see Page 29

HEATING CAPACITY - With High Efficiency Motor Furnaces (Continued)

UNIT MODEL	FURNACE MODEL	COIL ¹ MODEL	HEATING ²						
			47°F			17°F			HSPF
			MBH	COP	KW	MBH	COP	KW	STD
13 SEER HP WITH HIGH EFFICIENCY MOTOR FURNACES³									
YHJD30S41S5	T*9V*C20	FC/MC/PC36C	28.8	3.72	2.27	14.2	2.28	1.82	7.75
YHJD30S41S5	TM8X060A12MP11	FC/MC/PC30A	28.8	3.76	2.24	13.7	2.28	1.76	7.75
YHJD30S41S5	TM8X060A12MP11	FC/MC/PC36A	29.0	3.72	2.28	14.2	2.28	1.82	7.75
YHJD30S41S5	TM8X080B12MP11	FC/MC/PC30B	29.0	3.80	2.24	13.8	2.30	1.76	7.75
YHJD30S41S5	TM8X080B12MP11	FC/MC/PC35B	28.8	3.76	2.24	13.6	2.30	1.73	7.75
YHJD30S41S5	TM8X080B12MP11	FC/MC/PC36B	29.0	3.72	2.28	14.2	2.28	1.82	7.75
YHJD30S41S5	TM8X080C16MP11	FC/MC/PC35C	28.8	3.86	2.19	13.7	2.34	1.72	7.75
YHJD30S41S5	TM8X080C16MP11	FC/MC/PC36C	28.8	3.78	2.23	14.1	2.32	1.78	7.75
YHJD30S41S5	TM8X100C16MP11	FC/MC/PC35C	28.8	3.86	2.19	13.7	2.34	1.72	7.75
YHJD30S41S5	TM8X100C16MP11	FC/MC/PC36C	28.8	3.78	2.23	14.1	2.32	1.78	7.75
YHJD30S41S5	TM8X100C20MP11	FC/MC/PC35C	28.8	3.84	2.20	13.7	2.34	1.72	7.75
YHJD30S41S5	TM8X100C20MP11	FC/MC/PC36C	28.8	3.74	2.26	14.1	2.30	1.80	7.75
YHJD30S41S5	TM8X120C20MP11	FC/MC/PC35C	28.8	3.84	2.20	13.7	2.34	1.72	7.75
YHJD30S41S5	TM8X120C20MP11	FC/MC/PC36C	28.8	3.74	2.26	14.1	2.30	1.80	7.75
YHJD30S41S5	TM9E040A10MP11	FC/MC/PC30A	29.4	3.64	2.37	14.2	2.20	1.89	7.75
YHJD30S41S5	TM9E060B12MP11	FC/MC/PC30B	28.8	3.74	2.26	13.8	2.26	1.79	7.75
YHJD30S41S5	TM9E060B12MP11	FC/MC/PC35B	28.8	3.74	2.26	13.7	2.28	1.76	7.75
YHJD30S41S5	TM9E060B12MP11	FC/MC/PC36B	29.0	3.70	2.30	14.2	2.26	1.84	7.75
YHJD30S41S5	TM9E080B12MP11	FC/MC/PC30B	28.8	3.74	2.26	13.8	2.26	1.79	7.75
YHJD30S41S5	TM9E080B12MP11	FC/MC/PC35B	28.8	3.74	2.26	13.7	2.28	1.76	7.75
YHJD30S41S5	TM9E080B12MP11	FC/MC/PC36B	29.0	3.70	2.30	14.2	2.26	1.84	7.75
YHJD30S41S5	TM9E080C16MP11	FC/MC/PC35C	28.8	3.84	2.20	13.8	2.32	1.74	7.75
YHJD30S41S5	TM9E080C16MP11	FC/MC/PC36C	28.8	3.74	2.26	14.1	2.30	1.80	7.75
YHJD30S41S5	TM9E100C16MP11	FC/MC/PC35C	28.8	3.84	2.20	13.8	2.32	1.74	7.75
YHJD30S41S5	TM9E100C16MP11	FC/MC/PC36C	28.8	3.74	2.26	14.1	2.30	1.80	7.75
YHJD30S41S5	TM9X040A10MP11	FC/MC/PC30A	29.4	3.64	2.37	14.2	2.20	1.89	7.75
YHJD30S41S5	TM9X060B12MP11	FC/MC/PC30B	28.8	3.74	2.26	13.8	2.26	1.79	7.75
YHJD30S41S5	TM9X060B12MP11	FC/MC/PC35B	28.8	3.74	2.26	13.7	2.28	1.76	7.75
YHJD30S41S5	TM9X060B12MP11	FC/MC/PC36B	29.0	3.70	2.30	14.2	2.26	1.84	7.75
YHJD30S41S5	TM9X080B12MP11	FC/MC/PC30B	28.8	3.74	2.26	13.8	2.26	1.79	7.75
YHJD30S41S5	TM9X080B12MP11	FC/MC/PC35B	28.8	3.74	2.26	13.7	2.28	1.76	7.75
YHJD30S41S5	TM9X080B12MP11	FC/MC/PC36B	29.0	3.70	2.30	14.2	2.26	1.84	7.75
YHJD30S41S5	TM9X080C16MP11	FC/MC/PC35C	28.8	3.84	2.20	13.8	2.32	1.74	7.75
YHJD30S41S5	TM9X080C16MP11	FC/MC/PC36C	28.8	3.74	2.26	14.1	2.30	1.80	7.75
YHJD30S41S5	TM9X100C16MP11	FC/MC/PC35C	28.8	3.84	2.20	13.8	2.32	1.74	7.75
YHJD30S41S5	TM9X100C16MP11	FC/MC/PC36C	28.8	3.74	2.26	14.1	2.30	1.80	7.75
YHJD30S41S5	TMLX060A12MP11	FC/MC/PC30A	28.8	3.76	2.24	13.7	2.28	1.76	7.75
YHJD30S41S5	TMLX060A12MP11	FC/MC/PC36A	29.0	3.72	2.28	14.2	2.28	1.82	7.75
YHJD30S41S5	TMLX080B12MP11	FC/MC/PC30B	29.0	3.80	2.24	13.8	2.30	1.76	7.75
YHJD30S41S5	TMLX080B12MP11	FC/MC/PC35B	28.8	3.76	2.24	13.6	2.30	1.73	7.75
YHJD30S41S5	TMLX080B12MP11	FC/MC/PC36B	29.0	3.72	2.28	14.2	2.28	1.82	7.75
YHJD30S41S5	TMLX080C16MP11	FC/MC/PC35C	28.8	3.86	2.19	13.7	2.34	1.72	7.75
YHJD30S41S5	TMLX080C16MP11	FC/MC/PC36C	28.8	3.78	2.23	14.1	2.32	1.78	7.75
YHJD30S41S5	TMLX100C16MP11	FC/MC/PC35C	28.8	3.86	2.19	13.7	2.34	1.72	7.75
YHJD30S41S5	TMLX100C16MP11	FC/MC/PC36C	28.8	3.78	2.23	14.1	2.32	1.78	7.75
YHJD30S41S5	TMLX100C20MP11	FC/MC/PC35C	28.8	3.84	2.20	13.7	2.34	1.72	7.75
YHJD30S41S5	TMLX100C20MP11	FC/MC/PC36C	28.8	3.74	2.26	14.1	2.30	1.80	7.75
YHJD30S41S5	TMLX120C20MP11	FC/MC/PC35C	28.8	3.84	2.20	13.7	2.34	1.72	7.75
YHJD30S41S5	TMLX120C20MP11	FC/MC/PC36C	28.8	3.74	2.26	14.1	2.30	1.80	7.75
YHJD30S41S5	Y*(8,L)C*A12	FC/MC/PC30A	29.4	3.78	2.28	14.1	2.28	1.81	7.75
YHJD30S41S5	Y*(8,L)C*A12	FC/MC/PC36A	28.8	3.74	2.26	14.1	2.30	1.80	7.75
YHJD30S41S5	Y*(8,L)C*B12	FC/MC/PC30B	28.6	3.78	2.22	13.7	2.30	1.75	7.75
YHJD30S41S5	Y*(8,L)C*B12	FC/MC/PC35B	29.0	3.76	2.26	13.9	2.28	1.79	7.75
YHJD30S41S5	Y*(8,L)C*B12	FC/MC/PC36B	29.0	3.68	2.31	14.3	2.26	1.85	7.75
YHJD30S41S5	Y*(8,L)C*C16	FC/MC/PC35C	28.8	3.84	2.20	13.8	2.32	1.74	7.75

For Notes see Page 29

HEATING CAPACITY - With High Efficiency Motor Furnaces (Continued)

UNIT MODEL	FURNACE MODEL	COIL ¹ MODEL	HEATING ²						
			47°F			17°F			HSPF
			MBH	COP	KW	MBH	COP	KW	STD
13 SEER HP WITH HIGH EFFICIENCY MOTOR FURNACES³									
YHJD30S41S5	Y*(8,L)C*C16	FC/MC/PC36C	28.8	3.74	2.26	14.2	2.30	1.81	7.75
YHJD30S41S5	Y*(8,L)C*C20	FC/MC/PC35C	29.0	3.80	2.24	13.8	2.30	1.76	7.75
YHJD30S41S5	Y*(8,L)C*C20	FC/MC/PC36C	29.2	3.64	2.35	14.4	2.22	1.90	7.75
YHJD30S41S5	Y*9C*B12	FC/MC/PC30B	26.8	3.62	2.17	14.4	2.34	1.80	7.75
YHJD30S41S5	Y*9C*B12	FC/MC/PC36B	29.0	3.72	2.28	14.2	2.28	1.82	7.75
YHJD30S41S5	Y*9C*C16	FC/MC/PC35C	29.0	3.82	2.22	13.8	2.32	1.74	7.75
YHJD30S41S5	Y*9C*C16	FC/MC/PC36C	28.8	3.76	2.24	14.1	2.30	1.80	7.75
YHJD30S41S5	Y*9C*C20	FC/MC/PC35C	29.0	3.84	2.21	13.8	2.32	1.74	7.75
YHJD30S41S5	Y*9C*C20	FC/MC/PC36C	28.8	3.72	2.27	14.2	2.28	1.82	7.75
YHJD36S41S4	Y*9C*C16	FC/MC/PC36C	28.8	3.76	2.24	14.1	2.30	1.80	7.75
YHJD36S41S4	Y*9C*C20	FC/MC/PC35C	29.0	3.84	2.21	13.8	2.32	1.74	7.75
YHJD36S41S4	Y*9C*C20	FC/MC/PC36C	28.8	3.72	2.27	14.2	2.28	1.82	7.75
YHJD36S41S4	T*(8,L)V*C16	FC/MC/PC48C	34.2	3.62	2.77	21.8	2.78	2.30	8.20
YHJD36S41S4	T*(8,L)V*C16	UC48C	34.4	3.72	2.71	21.6	2.78	2.28	8.20
YHJD36S41S4	T*(8,L)V*C20	FC/MC/PC43C	33.8	3.58	2.77	21.6	2.76	2.29	8.20
YHJD36S41S4	T*(8,L)V*C20	FC/MC/PC48C	34.0	3.66	2.72	21.8	2.82	2.27	8.20
YHJD36S41S4	T*(8,L)V*C20	UC48C	34.4	3.74	2.69	21.6	2.80	2.26	8.20
YHJD36S41S4	T*9(C,V)*B12	FC/MC/PC43B	34.2	3.48	2.88	22.0	2.66	2.42	8.20
YHJD36S41S4	T*9(C,V)*C16	FC/MC/PC43C	34.0	3.52	2.83	22.0	2.70	2.39	8.20
YHJD36S41S4	T*9(C,V)*C16	FC/MC/PC48C	34.2	3.58	2.80	22.0	2.76	2.34	8.20
YHJD36S41S4	T*9(C,V)*C16	UC48C	34.6	3.68	2.75	21.8	2.76	2.31	8.20
YHJD36S41S4	T*9(C,V)*C20	FC/MC/PC43C	34.0	3.56	2.80	21.8	2.74	2.33	8.20
YHJD36S41S4	T*9(C,V)*C20	FC/MC/PC48C	34.8	3.60	2.83	22.4	2.74	2.40	8.20
YHJD36S41S4	T*9(C,V)*C20	UC48C	35.2	3.68	2.80	22.4	2.74	2.40	8.20
YHJD36S41S4	T*9(C,V)*D20	FC/MC/PC48D	34.2	3.60	2.78	21.8	2.78	2.30	8.20
YHJD36S41S4	T*9(C,V)*D20	UC48D	34.6	3.70	2.74	21.8	2.76	2.31	8.20
YHJD36S41S4	TM8X080B12MP11	FC/MC/PC43B	31.0	3.22	2.82	22.2	2.66	2.45	7.70
YHJD36S41S4	TM8X080C16MP11	FC/MC/PC43C	30.8	3.32	2.72	21.8	2.74	2.33	7.75
YHJD36S41S4	TM8X080C16MP11	FC/MC/PC48C	30.8	3.34	2.70	21.8	2.74	2.33	7.75
YHJD36S41S4	TM8X100C16MP11	FC/MC/PC43C	30.8	3.32	2.72	21.8	2.74	2.33	7.75
YHJD36S41S4	TM8X100C16MP11	FC/MC/PC48C	30.8	3.34	2.70	21.8	2.74	2.33	7.75
YHJD36S41S4	TM8X100C20MP11	FC/MC/PC43C	31.0	3.34	2.72	22.2	2.74	2.37	7.75
YHJD36S41S4	TM8X100C20MP11	FC/MC/PC48C	31.2	3.38	2.70	22.0	2.74	2.35	7.75
YHJD36S41S4	TM8X120C20MP11	FC/MC/PC43C	31.0	3.34	2.72	22.2	2.74	2.37	7.75
YHJD36S41S4	TM8X120C20MP11	FC/MC/PC48C	31.2	3.38	2.70	22.0	2.74	2.35	7.75
YHJD36S41S4	TM9E060B12MP11	FC/MC/PC43B	31.0	3.22	2.82	22.2	2.66	2.45	7.70
YHJD36S41S4	TM9E080B12MP11	FC/MC/PC43B	31.0	3.22	2.82	22.2	2.66	2.45	7.70
YHJD36S41S4	TM9E080C16MP11	FC/MC/PC43C	30.8	3.28	2.75	22.0	2.70	2.39	7.75
YHJD36S41S4	TM9E080C16MP11	FC/MC/PC48C	31.0	3.30	2.75	22.0	2.72	2.37	7.75
YHJD36S41S4	TM9E080C16MP11	UC48C	30.0	3.14	2.80	21.8	2.64	2.42	7.75
YHJD36S41S4	TM9E100C16MP11	FC/MC/PC43C	30.8	3.28	2.75	22.0	2.70	2.39	7.75
YHJD36S41S4	TM9E100C16MP11	FC/MC/PC48C	31.0	3.30	2.75	22.0	2.72	2.37	7.75
YHJD36S41S4	TM9E100C16MP11	UC48C	30.0	3.14	2.80	21.8	2.64	2.42	7.75
YHJD36S41S4	TM9E100C20MP11	FC/MC/PC43C	30.8	3.30	2.73	21.8	2.72	2.35	7.75
YHJD36S41S4	TM9E100C20MP11	FC/MC/PC48C	30.8	3.32	2.72	22.0	2.72	2.37	7.75
YHJD36S41S4	TM9E100C20MP11	UC48C	30.0	3.14	2.80	21.8	2.64	2.42	7.75
YHJD36S41S4	TM9E120D20MP11	FC/MC/PC48D	30.8	3.34	2.70	21.8	2.74	2.33	7.75
YHJD36S41S4	TM9E120D20MP11	UC48D	30.0	3.16	2.78	21.6	2.66	2.38	7.75
YHJD36S41S4	TM9X060B12MP11	FC/MC/PC43B	31.0	3.22	2.82	22.2	2.66	2.45	7.70
YHJD36S41S4	TM9X080B12MP11	FC/MC/PC43B	31.0	3.22	2.82	22.2	2.66	2.45	7.70
YHJD36S41S4	TM9X080C16MP11	FC/MC/PC43C	30.8	3.28	2.75	22.0	2.70	2.39	7.75
YHJD36S41S4	TM9X080C16MP11	FC/MC/PC48C	31.0	3.30	2.75	22.0	2.72	2.37	7.75
YHJD36S41S4	TM9X080C16MP11	UC48C	30.0	3.14	2.80	21.8	2.64	2.42	7.75
YHJD36S41S4	TM9X100C16MP11	FC/MC/PC43C	30.8	3.28	2.75	22.0	2.70	2.39	7.75
YHJD36S41S4	TM9X100C16MP11	FC/MC/PC48C	31.0	3.30	2.75	22.0	2.72	2.37	7.75

For Notes see Page 29

HEATING CAPACITY - With High Efficiency Motor Furnaces (Continued)

UNIT MODEL	FURNACE MODEL	COIL ¹ MODEL	HEATING ²						
			47°F			17°F			HSPF
			MBH	COP	KW	MBH	COP	KW	STD
13 SEER HP WITH HIGH EFFICIENCY MOTOR FURNACES³									
YHJD36S41S4	TM9X100C16MP11	UC48C	30.0	3.14	2.80	21.8	2.64	2.42	7.75
YHJD36S41S4	TM9X100C20MP11	FC/MC/PC43C	30.8	3.30	2.73	21.8	2.72	2.35	7.75
YHJD36S41S4	TM9X100C20MP11	FC/MC/PC48C	30.8	3.32	2.72	22.0	2.72	2.37	7.75
YHJD36S41S4	TM9X100C20MP11	UC48C	30.0	3.14	2.80	21.8	2.64	2.42	7.75
YHJD36S41S4	TM9X120D20MP11	FC/MC/PC48D	30.8	3.34	2.70	21.8	2.74	2.33	7.75
YHJD36S41S4	TM9X120D20MP11	UC48D	30.0	3.16	2.78	21.6	2.66	2.38	7.75
YHJD36S41S4	TMLX080B12MP11	FC/MC/PC43B	31.0	3.22	2.82	22.2	2.66	2.45	7.70
YHJD36S41S4	TMLX080C16MP11	FC/MC/PC43C	30.8	3.32	2.72	21.8	2.74	2.33	7.75
YHJD36S41S4	TMLX080C16MP11	FC/MC/PC48C	30.8	3.34	2.70	21.8	2.74	2.33	7.75
YHJD36S41S4	TMLX080C16MP11	UC48C	30.0	3.18	2.76	21.6	2.68	2.36	7.75
YHJD36S41S4	TMLX100C16MP11	FC/MC/PC43C	30.8	3.32	2.72	21.8	2.74	2.33	7.75
YHJD36S41S4	TMLX100C16MP11	FC/MC/PC48C	30.8	3.34	2.70	21.8	2.74	2.33	7.75
YHJD36S41S4	TMLX100C16MP11	UC48C	30.0	3.18	2.76	21.6	2.68	2.36	7.75
YHJD36S41S4	TMLX100C20MP11	FC/MC/PC43C	31.0	3.34	2.72	22.2	2.74	2.37	7.75
YHJD36S41S4	TMLX100C20MP11	FC/MC/PC48C	31.2	3.38	2.70	22.0	2.74	2.35	7.75
YHJD36S41S4	TMLX100C20MP11	UC48C	30.0	3.16	2.78	21.8	2.66	2.40	7.75
YHJD36S41S4	Y*(8,L)C*A12	FC/MC/PC37A	34.0	3.46	2.88	22.2	2.66	2.45	8.20
YHJD36S41S4	Y*(8,L)C*B12	FC/MC/PC43B	34.6	3.48	2.91	22.4	2.66	2.47	8.20
YHJD36S41S4	Y*(8,L)C*C16	FC/MC/PC43C	34.0	3.56	2.80	21.6	2.74	2.31	8.20
YHJD36S41S4	Y*(8,L)C*C16	FC/MC/PC48C	34.2	3.62	2.77	21.8	2.78	2.30	8.20
YHJD36S41S4	Y*(8,L)C*C16	UC48C	34.4	3.72	2.71	21.6	2.78	2.28	8.20
YHJD36S41S4	Y*(8,L)C*C20	FC/MC/PC43C	33.8	3.58	2.77	21.6	2.76	2.29	8.20
YHJD36S41S4	Y*(8,L)C*C20	FC/MC/PC48C	34.0	3.66	2.72	21.8	2.82	2.27	8.20
YHJD36S41S4	Y*(8,L)C*C20	UC48C	34.4	3.74	2.69	21.6	2.80	2.26	8.20
YHJD36S41S4	Y*9C*B12	FC/MC/PC43B	34.2	3.48	2.88	22.0	2.66	2.42	8.20
YHJD36S41S4	Y*9C*C16	FC/MC/PC43C	34.0	3.52	2.83	22.0	2.70	2.39	8.20
YHJD36S41S4	Y*9C*C16	FC/MC/PC48C	34.2	3.58	2.80	22.0	2.76	2.34	8.20
YHJD36S41S4	Y*9C*C16	UC48C	34.6	3.68	2.75	21.8	2.76	2.31	8.20
YHJD36S41S4	Y*9C*C20	FC/MC/PC43C	34.0	3.56	2.80	21.8	2.74	2.33	8.20
YHJD36S41S4	Y*9C*C20	FC/MC/PC48C	34.8	3.60	2.83	22.4	2.74	2.40	8.20
YHJD36S41S4	Y*9C*C20	UC48C	35.2	3.68	2.80	22.4	2.74	2.40	8.20
YHJD36S41S4	Y*9C*D20	FC/MC/PC48D	34.2	3.60	2.78	21.8	2.78	2.30	8.20
YHJD36S41S4	Y*9C*D20	UC48D	34.6	3.70	2.74	21.8	2.76	2.31	8.20
YHJD42S41S4	T*(8,L)V*C16	FC/MC/PC48C	36.4	3.58	2.98	23.6	2.74	2.52	8.20
YHJD42S41S4	T*(8,L)V*C16	FC/PC60C	40.0	3.88	3.02	22.4	2.60	2.52	8.20
YHJD42S41S4	T*(8,L)V*C16	UC60C	39.5	3.84	3.01	22.4	2.58	2.54	8.20
YHJD42S41S4	T*(8,L)V*C20	FC/MC/PC48C	36.2	3.58	2.96	23.6	2.76	2.51	8.20
YHJD42S41S4	T*(8,L)V*C20	FC/PC60C	39.5	3.92	2.95	22.4	2.64	2.49	8.20
YHJD42S41S4	T*(8,L)V*C20	UC60C	39.5	3.88	2.98	22.2	2.62	2.48	8.20
YHJD42S41S4	T*9(C,V)*C16	FC/MC/PC48C	36.2	3.52	3.01	23.8	2.70	2.58	8.20
YHJD42S41S4	T*9(C,V)*C16	FC/PC60C	40.0	3.78	3.10	22.8	2.54	2.63	8.20
YHJD42S41S4	T*9(C,V)*C16	UC60C	40.0	3.74	3.13	22.8	2.52	2.65	8.20
YHJD42S41S4	T*9(C,V)*C20	FC/MC/PC48C	36.4	3.52	3.03	23.8	2.70	2.58	8.20
YHJD42S41S4	T*9(C,V)*C20	FC/PC60C	40.0	3.82	3.07	22.6	2.56	2.59	8.20
YHJD42S41S4	T*9(C,V)*C20	UC60C	40.0	3.78	3.10	22.6	2.54	2.61	8.20
YHJD42S41S4	T*9(C,V)*D20	FC/MC/PC48D	36.4	3.56	3.00	23.8	2.74	2.55	8.20
YHJD42S41S4	T*9(C,V)*D20	FC/MC/PC60D	40.0	3.86	3.04	22.6	2.60	2.55	8.20
YHJD42S41S4	T*9(C,V)*D20	UC60D	39.5	3.82	3.03	22.4	2.58	2.54	8.20
YHJD42S41S4	TM8X080C16MP11	FC/PC60C	40.5	3.80	3.12	21.6	2.44	2.59	7.75
YHJD42S41S4	TM8X080C16MP11	UC60C	40.0	3.76	3.12	21.4	2.40	2.61	7.75
YHJD42S41S4	TM8X100C16MP11	FC/PC60C	40.5	3.80	3.12	21.6	2.44	2.59	7.75
YHJD42S41S4	TM8X100C16MP11	UC60C	40.0	3.74	3.13	21.4	2.40	2.61	7.75

For Notes see Page 29

HEATING CAPACITY - With High Efficiency Motor Furnaces (Continued)

UNIT MODEL	FURNACE MODEL	COIL ¹ MODEL	HEATING ²						
			47°F			17°F			HSPF
			MBH	COP	KW	MBH	COP	KW	STD
13 SEER HP WITH HIGH EFFICIENCY MOTOR FURNACES³									
YHJD42S41S4	TM8X100C20MP11	FC/PC60C	40.5	3.80	3.12	21.6	2.44	2.59	7.75
YHJD42S41S4	TM8X100C20MP11	UC60C	40.0	3.76	3.12	21.4	2.40	2.61	7.75
YHJD42S41S4	TM8X120C20MP11	FC/PC60C	40.5	3.80	3.12	21.6	2.44	2.59	7.75
YHJD42S41S4	TM8X120C20MP11	UC60C	40.0	3.76	3.12	21.4	2.40	2.61	7.75
YHJD42S41S4	TM9E120D20MP11	FC/MC/PC60D	40.0	3.76	3.12	21.6	2.44	2.59	7.75
YHJD42S41S4	TM9E120D20MP11	UC60D	40.0	3.76	3.12	21.4	2.40	2.61	7.75
YHJD42S41S4	TM9X120D20MP11	FC/MC/PC60D	40.0	3.76	3.12	21.6	2.44	2.59	7.75
YHJD42S41S4	TM9X120D20MP11	UC60D	40.0	3.76	3.12	21.4	2.40	2.61	7.75
YHJD42S41S4	TMLX080C16MP11	FC/PC60C	40.5	3.80	3.12	21.6	2.44	2.59	7.75
YHJD42S41S4	TMLX080C16MP11	UC60C	40.0	3.74	3.13	21.4	2.40	2.61	7.75
YHJD42S41S4	TMLX100C16MP11	FC/PC60C	40.5	3.80	3.12	21.6	2.44	2.59	7.75
YHJD42S41S4	TMLX100C16MP11	UC60C	40.0	3.74	3.13	21.4	2.40	2.61	7.75
YHJD42S41S4	TMLX100C20MP11	FC/PC60C	40.5	3.80	3.12	21.6	2.44	2.59	7.75
YHJD42S41S4	TMLX100C20MP11	UC60C	40.0	3.76	3.12	21.4	2.40	2.61	7.75
YHJD42S41S4	TMLX120C20MP11	FC/PC60C	40.5	3.80	3.12	21.6	2.44	2.59	7.75
YHJD42S41S4	TMLX120C20MP11	UC60C	40.0	3.76	3.12	21.4	2.40	2.61	7.75
YHJD42S41S4	Y*(8,L)C*C16	FC/MC/PC48C	36.4	3.58	2.98	23.6	2.74	2.52	8.20
YHJD42S41S4	Y*(8,L)C*C16	FC/PC60C	40.0	3.88	3.02	22.4	2.60	2.52	8.20
YHJD42S41S4	Y*(8,L)C*C16	UC60C	39.5	3.84	3.01	22.4	2.58	2.54	8.20
YHJD42S41S4	Y*(8,L)C*C20	FC/MC/PC48C	36.2	3.58	2.96	23.6	2.76	2.51	8.20
YHJD42S41S4	Y*(8,L)C*C20	FC/PC60C	39.5	3.92	2.95	22.4	2.64	2.49	8.20
YHJD42S41S4	Y*(8,L)C*C20	UC60C	39.5	3.88	2.98	22.2	2.62	2.48	8.20
YHJD42S41S4	Y*9C*C16	FC/MC/PC48C	36.2	3.52	3.01	23.8	2.70	2.58	8.20
YHJD42S41S4	Y*9C*C16	FC/PC60C	40.0	3.78	3.10	22.8	2.54	2.63	8.20
YHJD42S41S4	Y*9C*C16	UC60C	40.0	3.74	3.13	22.8	2.52	2.65	8.20
YHJD42S41S4	Y*9C*C20	FC/MC/PC48C	36.4	3.52	3.03	23.8	2.70	2.58	8.20
YHJD42S41S4	Y*9C*C20	FC/PC60C	40.0	3.82	3.07	22.6	2.56	2.59	8.20
YHJD42S41S4	Y*9C*C20	UC60C	40.0	3.78	3.10	22.6	2.54	2.61	8.20
YHJD42S41S4	Y*9C*D20	FC/MC/PC48D	36.4	3.56	3.00	23.8	2.74	2.55	8.20
YHJD42S41S4	Y*9C*D20	FC/MC/PC60D	40.0	3.86	3.04	22.6	2.60	2.55	8.20
YHJD42S41S4	Y*9C*D20	UC60D	39.5	3.82	3.03	22.4	2.58	2.54	8.20
YHJD48S41S4	T*(8,L)V*C16	FC/MC62D	45.5	3.64	3.66	27.0	2.84	2.79	8.20
YHJD48S41S4	T*(8,L)V*C16	FC/PC60C	46.0	3.64	3.70	27.2	2.80	2.85	8.20
YHJD48S41S4	T*(8,L)V*C16	UC60C	45.5	3.62	3.68	27.0	2.80	2.83	8.20
YHJD48S41S4	T*(8,L)V*C20	FC/MC62D	45.5	3.66	3.64	26.8	2.84	2.76	8.20
YHJD48S41S4	T*(8,L)V*C20	FC/PC60C	46.0	3.64	3.70	27.2	2.82	2.83	8.20
YHJD48S41S4	T*(8,L)V*C20	UC60C	45.5	3.68	3.62	26.8	2.84	2.76	8.20
YHJD48S41S4	T*9(C,V)*C16	FC/MC62D	45.5	3.60	3.70	27.0	2.80	2.83	8.20
YHJD48S41S4	T*9(C,V)*C16	FC/PC60C	46.0	3.62	3.72	27.4	2.80	2.87	8.20
YHJD48S41S4	T*9(C,V)*C16	UC60C	45.5	3.58	3.72	27.2	2.78	2.87	8.20
YHJD48S41S4	T*9(C,V)*C20	FC/MC62D	45.5	3.56	3.74	27.2	2.78	2.87	8.20
YHJD48S41S4	T*9(C,V)*C20	FC/PC60C	46.0	3.62	3.72	27.4	2.80	2.87	8.20
YHJD48S41S4	T*9(C,V)*C20	UC60C	45.5	3.58	3.72	27.2	2.78	2.87	8.20
YHJD48S41S4	T*9(C,V)*D20	FC/MC/PC60D	46.0	3.64	3.70	27.2	2.80	2.85	8.20
YHJD48S41S4	T*9(C,V)*D20	FC/MC62D	45.5	3.60	3.70	27.2	2.80	2.85	8.20
YHJD48S41S4	T*9(C,V)*D20	UC60D	45.5	3.60	3.70	27.0	2.78	2.85	8.20
YHJD48S41S4	TM8X080C16MP11	FC/MC62D	44.5	3.54	3.68	27.0	2.78	2.85	8.50
YHJD48S41S4	TM8X080C16MP11	FC/PC60C	44.5	3.50	3.73	26.8	2.74	2.87	8.50
YHJD48S41S4	TM8X080C16MP11	UC60C	44.5	3.48	3.75	26.4	2.70	2.86	8.05
YHJD48S41S4	TM8X100C16MP11	FC/MC62D	44.5	3.54	3.68	27.0	2.78	2.85	8.50
YHJD48S41S4	TM8X100C16MP11	FC/PC60C	44.5	3.50	3.73	26.8	2.74	2.87	8.50
YHJD48S41S4	TM8X100C16MP11	UC60C	44.5	3.46	3.77	26.4	2.68	2.89	8.05
YHJD48S41S4	TM8X100C20MP11	FC/MC62D	44.5	3.58	3.64	26.8	2.80	2.80	8.50
YHJD48S41S4	TM8X100C20MP11	FC/PC60C	44.5	3.54	3.68	26.6	2.78	2.80	8.50
YHJD48S41S4	TM8X100C20MP11	UC60C	44.5	3.50	3.73	26.2	2.72	2.82	8.50

For Notes see Page 29

HEATING CAPACITY - With High Efficiency Motor Furnaces (Continued)

UNIT MODEL	FURNACE MODEL	COIL ¹ MODEL	HEATING ²						
			47°F			17°F			HSPF
			MBH	COP	KW	MBH	COP	KW	STD
13 SEER HP WITH HIGH EFFICIENCY MOTOR FURNACES³									
YHJD48S41S4	TM8X120C20MP11	FC/MC62D	44.5	3.58	3.64	26.8	2.80	2.80	8.50
YHJD48S41S4	TM8X120C20MP11	FC/PC60C	44.5	3.54	3.68	26.6	2.78	2.80	8.50
YHJD48S41S4	TM8X120C20MP11	UC60C	44.5	3.50	3.73	26.2	2.72	2.82	8.50
YHJD48S41S4	TM9E100C20MP11	FC/MC62D	44.5	3.54	3.68	27.0	2.78	2.85	8.50
YHJD48S41S4	TM9E120D20MP11	FC/MC/PC60D	44.5	3.52	3.70	26.8	2.76	2.85	8.50
YHJD48S41S4	TM9E120D20MP11	FC/MC62D	44.5	3.56	3.66	27.0	2.78	2.85	8.50
YHJD48S41S4	TM9E120D20MP11	UC60D	44.5	3.50	3.73	26.2	2.72	2.82	8.50
YHJD48S41S4	TM9X100C20MP11	FC/MC62D	44.5	3.54	3.68	27.0	2.78	2.85	8.50
YHJD48S41S4	TM9X120D20MP11	FC/MC/PC60D	44.5	3.52	3.70	26.8	2.76	2.85	8.50
YHJD48S41S4	TM9X120D20MP11	FC/MC62D	44.5	3.56	3.66	27.0	2.78	2.85	8.50
YHJD48S41S4	TM9X120D20MP11	UC60D	44.5	3.50	3.73	26.2	2.72	2.82	8.50
YHJD48S41S4	TMLX080C16MP11	FC/MC62D	44.5	3.54	3.68	27.0	2.78	2.85	8.50
YHJD48S41S4	TMLX080C16MP11	FC/PC60C	44.5	3.50	3.73	26.8	2.74	2.87	8.50
YHJD48S41S4	TMLX080C16MP11	UC60C	44.5	3.48	3.75	26.4	2.70	2.86	8.05
YHJD48S41S4	TMLX100C16MP11	FC/MC62D	44.5	3.54	3.68	27.0	2.78	2.85	8.50
YHJD48S41S4	TMLX100C16MP11	FC/PC60C	44.5	3.50	3.73	26.8	2.74	2.87	8.50
YHJD48S41S4	TMLX100C16MP11	UC60C	44.5	3.46	3.77	26.4	2.68	2.89	8.05
YHJD48S41S4	TMLX100C20MP11	FC/MC62D	44.5	3.58	3.64	26.8	2.80	2.80	8.50
YHJD48S41S4	TMLX100C20MP11	FC/PC60C	44.5	3.54	3.68	26.6	2.78	2.80	8.50
YHJD48S41S4	TMLX100C20MP11	UC60C	44.5	3.50	3.73	26.2	2.72	2.82	8.50
YHJD48S41S4	TMLX120C20MP11	FC/MC62D	44.5	3.58	3.64	26.8	2.80	2.80	8.50
YHJD48S41S4	TMLX120C20MP11	FC/PC60C	44.5	3.54	3.68	26.6	2.78	2.80	8.50
YHJD48S41S4	TMLX120C20MP11	UC60C	44.5	3.50	3.73	26.2	2.72	2.82	8.50
YHJD48S41S4	Y*(8,L)C*C16	FC/MC62D	45.5	3.64	3.66	27.0	2.84	2.79	8.20
YHJD48S41S4	Y*(8,L)C*C16	FC/PC60C	46.0	3.64	3.70	27.2	2.80	2.85	8.20
YHJD48S41S4	Y*(8,L)C*C16	UC60C	45.5	3.62	3.68	27.0	2.80	2.83	8.20
YHJD48S41S4	Y*(8,L)C*C20	FC/MC62D	45.5	3.66	3.64	26.8	2.84	2.76	8.20
YHJD48S41S4	Y*(8,L)C*C20	FC/PC60C	46.0	3.64	3.70	27.2	2.82	2.83	8.20
YHJD48S41S4	Y*(8,L)C*C20	UC60C	45.5	3.68	3.62	26.8	2.84	2.76	8.20
YHJD48S41S4	Y*9C*C16	FC/MC62D	45.5	3.60	3.70	27.0	2.80	2.83	8.20
YHJD48S41S4	Y*9C*C16	FC/PC60C	46.0	3.62	3.72	27.4	2.80	2.87	8.20
YHJD48S41S4	Y*9C*C16	UC60C	45.5	3.58	3.72	27.2	2.78	2.87	8.20
YHJD48S41S4	Y*9C*C20	FC/MC62D	45.5	3.56	3.74	27.2	2.78	2.87	8.20
YHJD48S41S4	Y*9C*C20	FC/PC60C	46.0	3.62	3.72	27.4	2.80	2.87	8.20
YHJD48S41S4	Y*9C*C20	UC60C	45.5	3.58	3.72	27.2	2.78	2.87	8.20
YHJD48S41S4	Y*9C*D20	FC/MC/PC60D	46.0	3.64	3.70	27.2	2.80	2.85	8.20
YHJD48S41S4	Y*9C*D20	FC/MC62D	45.5	3.60	3.70	27.2	2.80	2.85	8.20
YHJD48S41S4	Y*9C*D20	UC60D	45.5	3.60	3.70	27.0	2.78	2.85	8.20
YHJD60S41S6	T*(8,L)V*C20	FC/MC62D	55.0	3.50	4.60	30.8	2.30	3.92	7.75
YHJD60S41S6	T*(8,L)V*C20	FC64D	58.0	3.78	4.53	31.8	2.46	3.79	7.75
YHJD60S41S6	T*9V*C20	FC/MC62D	55.5	3.54	4.59	31.0	2.32	3.92	7.75
YHJD60S41S6	T*9V*C20	FC64D	58.0	3.92	4.78	35.0	2.54	4.04	7.75
YHJD60S41S6	T*9V*D20	FC/MC62D	55.0	3.54	4.55	30.8	2.32	3.89	7.75
YHJD60S41S6	T*9V*D20	FC64D	58.0	3.92	4.78	34.8	2.54	4.01	7.75
YHJD60S41S6	TM8X080C16MP11	FC/MC62D	55.0	3.48	4.63	31.4	2.36	3.90	7.75
YHJD60S41S6	TM8X080C16MP11	FC64D	58.0	3.82	4.45	31.4	2.36	3.90	7.75
YHJD60S41S6	TM8X100C16MP11	FC/MC62D	55.0	3.48	4.63	31.4	2.36	3.90	7.75
YHJD60S41S6	TM8X100C16MP11	FC64D	58.0	3.82	4.45	31.4	2.36	3.90	7.75
YHJD60S41S6	TM8X100C20MP11	FC/MC62D	55.0	3.52	4.58	31.4	2.36	3.90	7.75
YHJD60S41S6	TM8X100C20MP11	FC64D	58.0	3.90	4.36	31.4	2.36	3.90	7.75
YHJD60S41S6	TM8X120C20MP11	FC/MC62D	55.0	3.52	4.58	31.4	2.36	3.90	7.75
YHJD60S41S6	TM8X120C20MP11	FC64D	58.0	3.90	4.36	31.4	2.36	3.90	7.75
YHJD60S41S6	TM9E100C20MP11	FC/MC62D	55.0	3.48	4.63	31.4	2.36	3.90	7.75
YHJD60S41S6	TM9E100C20MP11	FC64D	58.0	3.82	4.45	31.4	2.36	3.90	7.75
YHJD60S41S6	TM9E120D20MP11	FC/MC62D	55.0	3.48	4.63	31.4	2.36	3.90	7.75

For Notes see Page 29

HEATING CAPACITY - With High Efficiency Motor Furnaces (Continued)

UNIT MODEL	FURNACE MODEL	COIL ¹ MODEL	HEATING ²						
			47°F			17°F			HSPF
			MBH	COP	KW	MBH	COP	KW	STD
13 SEER HP WITH HIGH EFFICIENCY MOTOR FURNACES³									
YHJD60S41S6	TM9E120D20MP11	FC64D	58.0	3.80	4.47	31.4	2.36	3.90	7.75
YHJD60S41S6	TM9X100C20MP11	FC/MC62D	55.0	3.48	4.63	31.4	2.36	3.90	7.75
YHJD60S41S6	TM9X100C20MP11	FC64D	58.0	3.82	4.45	31.4	2.36	3.90	7.75
YHJD60S41S6	TM9X120D20MP11	FC/MC62D	55.0	3.48	4.63	31.4	2.36	3.90	7.75
YHJD60S41S6	TM9X120D20MP11	FC64D	58.0	3.80	4.47	31.4	2.36	3.90	7.75
YHJD60S41S6	TMLX080C16MP11	FC/MC62D	55.0	3.48	4.63	31.4	2.36	3.90	7.75
YHJD60S41S6	TMLX080C16MP11	FC64D	58.0	3.82	4.45	31.4	2.36	3.90	7.75
YHJD60S41S6	TMLX100C16MP11	FC/MC62D	55.0	3.48	4.63	31.4	2.36	3.90	7.75
YHJD60S41S6	TMLX100C16MP11	FC64D	58.0	3.82	4.45	31.4	2.36	3.90	7.75
YHJD60S41S6	TMLX100C20MP11	FC/MC62D	55.0	3.52	4.58	31.4	2.36	3.90	7.75
YHJD60S41S6	TMLX100C20MP11	FC64D	58.0	3.90	4.36	31.4	2.36	3.90	7.75
YHJD60S41S6	TMLX120C20MP11	FC/MC62D	55.0	3.52	4.58	31.4	2.36	3.90	7.75
YHJD60S41S6	TMLX120C20MP11	FC64D	58.0	3.90	4.36	31.4	2.36	3.90	7.75
YHJD60S41S6	Y*(8,L)C*C20	FC/MC62D	55.0	3.50	4.60	30.8	2.30	3.92	7.75
YHJD60S41S6	Y*(8,L)C*C20	FC64D	58.0	3.78	4.53	31.8	2.46	3.79	7.75
YHJD60S41S6	Y*9C*C20	FC/MC62D	55.5	3.54	4.59	31.0	2.32	3.92	7.75
YHJD60S41S6	Y*9C*C20	FC64D	58.0	3.92	4.78	35.0	2.54	4.04	7.75
YHJD60S41S6	Y*9C*D20	FC/MC62D	55.0	3.54	4.55	30.8	2.32	3.89	7.75
YHJD60S41S6	Y*9C*D20	FC64D	58.0	3.92	4.78	34.8	2.54	4.01	7.75

1. Rated CFM same as for cooling.

2. Heating MBH based on AHRI standards of 70 °F DB (Dry Bulb) entering indoor air, 72% RH (Relative Humidity) outdoor air with 25 feet of interconnecting piping and no supplemental electric heat operation.

3. High Efficiency Motor Furnaces have B.O.D (Blower on Delay) standard.

COP equals MBH output divided by (total KW input x 3.412).

HSPF (Heating Seasonal Performance Factor) is the total heating output during a normal annual usage period for heating divided by the total electric power input during the same period.

PSC furnaces, such as the TG8S, TGLS, and TG9S, use Coil Only Ratings.

— = Not Applicable.

ACCESSORIES

Refer to Price Manual for specific model numbers.

Application Limits		
Maximum Lineset Equivalent Length		75 Ft
Outdoor Ambient Temperature Limits		
Cooling Operation	Maximum DB	115°F
	Minimum DB	50°F
Heating Operation	Maximum DB	75°F
	Minimum DB	-10°F

Long Lineset Applications - For installations with more than 75' of equivalent lineset length, refer to the current version of the **Piping Application Guide 247077-UAD-H-0209**, available in the Application Bulletins section on UPGnet.

Start Assist Kit (S1-2SA067) - Provides increased starting torque for areas with low voltage. See Hard Start Kit Accessory Installation Manual for Hard Start Kit part number for each model.

Blower Time Delay - Available to increase efficiency when installed. Installs on indoor section and maintains blower for approximately one minute after cooling thermostat has been satisfied.

Low Temperature Cutout (S1-2LT06700224) - Prevents heat pump operation below -10 °F ambient temperature.

Compressor Blanket - Designed to further reduce the normal operating sound.

TXV Kits - S1-1TVM series thermal expansion valves precisely meter refrigerant for optimum performance over a wide range of conditions. See System Charge table for TXV part number for each model.

Outdoor Thermostat (S1-2TD06700124) - Provides additional staging of supplemental electric heat.

Low Ambient Pressure Switch Kit (S1-2LA06700424) - Allows the use of air conditioning at low outdoor ambient temperatures down to +20°F (-7°C). For use with single-stage models containing R-410A refrigerant only.

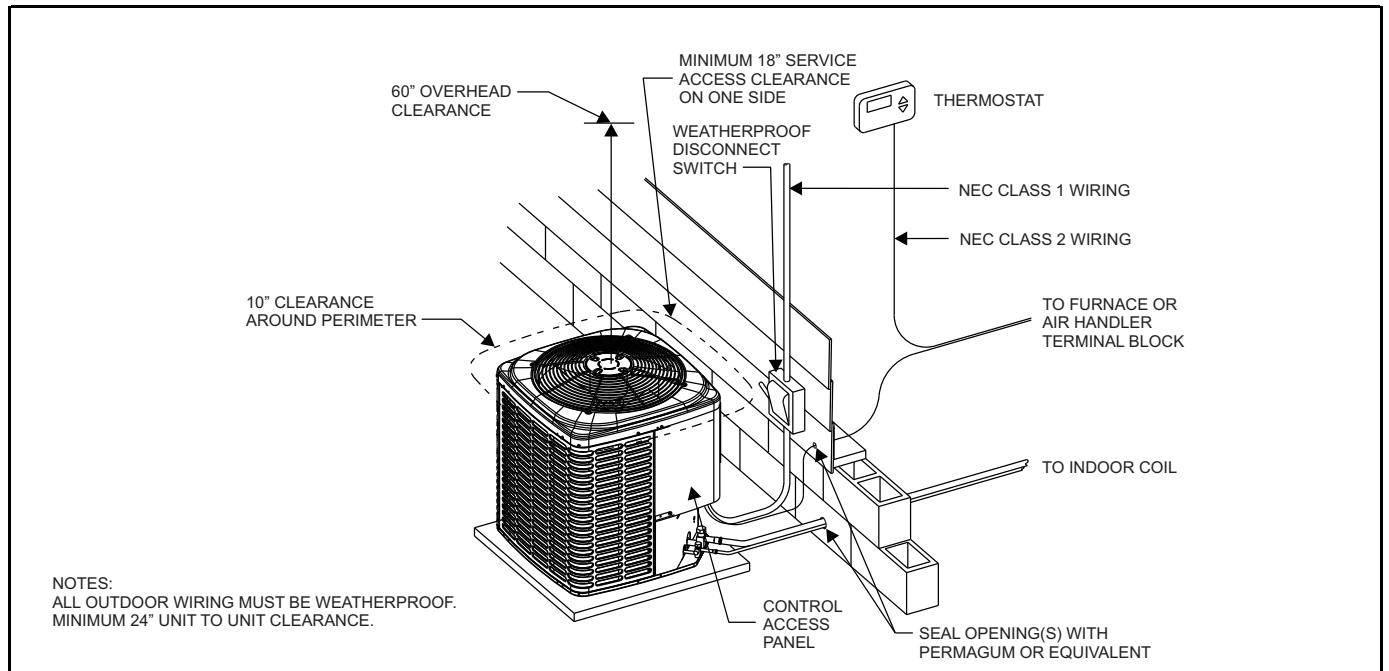
Thermostats - Compatible thermostat controls are available through accessory sourcing. For optimum performance and installation, refer to the UPGNET "Low Voltage Wiring Diagram" document to select and apply controls.

SOUND POWER LEVEL - TYPICAL OCTAVE BAND SPECTRUM (db re. 1-pW)

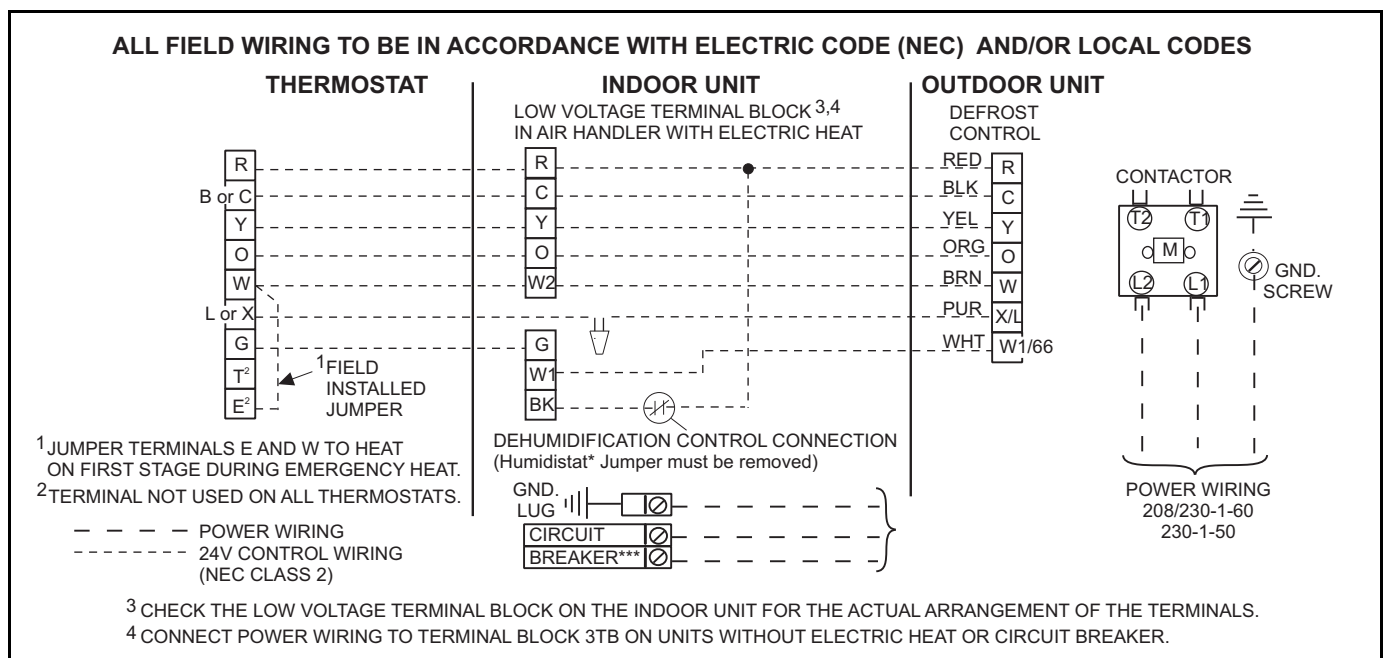
SOUND POWER LEVEL - TYPICAL OCTAVE BAND SPECTRUM (without tone adjustment)											
Size	Test Condition	63	125	250	500	1000	2000	4000	8000	dBA	SQI
18	Cooling Mode	67	71	66	69	65	59	58	55	70	19.2
	Heating Mode	68	70	66	68	67	61	60	57	71	19.2
24	Cooling Mode	70	70	66	70	70	64	61	58	73	19.2
	Heating Mode	75	69	66	70	69	64	62	59	73	19.0
30	Cooling Mode	69	71	68	70	71	67	66	62	75	19.1
	Heating Mode	70	73	67	69	70	65	64	62	74	19.1
34	Cooling Mode	67	72	60	66	68	61	58	56	71	19.1
	Heating Mode	67	68	64	66	66	60	62	60	70	19.1
36	Cooling Mode	72	73	71	72	73	67	66	63	76	19.0
	Heating Mode	70	72	69	70	71	69	65	64	75	19.2
42	Cooling Mode	71	71	73	73	72	67	67	64	77	19.1
	Heating Mode	71	71	71	72	72	69	69	65	77	19.1
48	Cooling Mode	72	71	68	69	66	62	57	53	71	19.1
	Heating Mode	71	73	70	72	70	68	65	63	75	19.1
60	Cooling Mode	71	71	71	71	71	64	60	57	74	19.1
	Heating Mode	70	70	70	70	70	64	62	62	73	19.2

Rated in accordance with ARI Standard 270.

TYPICAL INSTALLATION



TYPICAL FIELD WIRING



COOLING PERFORMANCE DATA																
AIR CONDITIONER MODEL NO.		YHJD18S41S2														
AIR TEMP. ENTERING OUTDOOR UNIT (°F)	IDCFM	450					600					750				
	ID DB (°F)	80	80	75	80	80	80	80	75	80	80	80	80	75	80	80
	ID WB (°F)	57	62	62	67	72	57	62	62	67	72	57	62	62	67	72
65	T.C.	16.8	18.5	18.8	20.3	21.7	18.9	19.4	19.9	21.3	22.3	21.0	20.3	20.9	22.2	22.9
	S.C.	16.8	15.4	13.3	13.2	11.1	18.9	18.2	15.6	15.1	12.0	21.0	20.3	17.8	17.0	12.9
	KW	1.00	1.00	1.00	1.00	1.00	1.10	1.10	1.10	1.10	1.10	1.20	1.20	1.20	1.20	1.20
75	T.C.	16.0	17.6	17.6	19.4	20.9	18.0	18.5	18.7	20.3	21.6	20.0	19.5	19.7	21.2	22.2
	S.C.	16.0	14.9	12.8	12.8	10.6	18.0	17.6	15.0	14.7	11.6	20.0	19.5	17.3	16.7	12.6
	KW	1.20	1.20	1.20	1.20	1.20	1.20	1.20	1.20	1.20	1.20	1.30	1.30	1.30	1.30	1.30
85	T.C.	15.2	16.6	16.5	18.5	20.1	17.1	17.7	17.5	19.4	20.8	19.0	18.8	18.5	20.2	21.5
	S.C.	15.2	14.4	12.2	12.4	10.2	17.1	17.0	14.5	14.4	11.2	19.0	18.8	16.7	16.4	12.3
	KW	1.30	1.30	1.30	1.30	1.30	1.40	1.40	1.40	1.40	1.40	1.50	1.50	1.50	1.50	1.50
95	T.C.	14.4	15.6	15.3	17.7	19.3	16.2	16.8	16.3	18.5	20.1	18.0	18.0	17.3	19.2	20.8
	S.C.	14.4	13.9	11.7	11.9	9.7	16.2	16.3	13.9	14.0	10.8	18.0	18.0	16.2	16.1	11.9
	KW	1.40	1.40	1.40	1.40	1.50	1.50	1.50	1.50	1.50	1.50	1.60	1.60	1.60	1.60	1.60
105	T.C.	13.5	14.2	14.1	16.2	18.0	15.2	15.6	15.0	17.0	18.7	16.9	16.9	15.8	17.8	19.4
	S.C.	13.5	13.3	11.1	11.3	9.1	15.2	15.4	13.3	13.4	10.3	16.9	16.9	15.5	15.5	11.5
	KW	1.60	1.60	1.60	1.60	1.60	1.70	1.70	1.70	1.70	1.70	1.80	1.80	1.70	1.80	1.80
115	T.C.	12.5	12.8	12.8	14.8	16.7	14.2	14.3	13.6	15.6	17.4	15.9	15.9	14.4	16.3	18.0
	S.C.	12.5	12.6	10.5	10.7	8.6	14.2	14.3	12.7	12.8	9.8	15.9	15.9	14.4	14.9	11.0
	KW	1.70	1.70	1.70	1.80	1.80	1.80	1.80	1.80	1.80	1.90	1.90	1.90	1.90	1.90	2.00
125	T.C.	11.5	11.4	11.6	13.4	15.5	13.2	13.1	12.2	14.1	16.0	14.8	14.8	12.9	14.9	16.6
	S.C.	11.5	11.4	9.9	10.0	8.0	13.2	13.1	12.1	12.2	9.3	14.8	14.8	12.9	14.4	10.6
	KW	1.90	1.90	1.90	1.90	2.00	2.00	2.00	2.00	2.00	2.00	2.10	2.10	2.10	2.10	2.10

NOTE: ALL CAPACITIES INCLUDE INDOOR FAN HEAT. KW VALUES ARE FOR THE SYSTEM (OUTDOOR + INDOOR).

Blue shaded cells are AHRI conditions. **Green** shaded cells are ACCA (TVA) conditions.

Multipliers for determining the performance with other indoor sections.

NOTE: For dry bulb temperatures different than those listed (between 73-87 °F), sensible capacity increases by 1060 BTUH per 1000 CFM per degree above the listed temperature and decreases by 1060 BTUH per 1000 CFM per degree below the listed temperature.

Air Handlers	Coils	T.C.	S.C.	KW
–	FC/MC/PC18	0.97	0.96	1.02
–	FC/MC/PC24	0.99	0.98	1.02
–	FC/MC/PC30	0.99	0.98	1.02
–	UC24	0.99	0.99	1.02
–	UC30	0.99	0.99	1.02
AHE18B	–	0.99	1.00	0.93
AHR18B	–	0.98	1.01	1.01
AHV18B	–	0.99	1.00	0.93

Air Handlers	Coils	T.C.	S.C.	KW
MV12B	FC/MC/PC18B	0.99	0.99	0.92
MV12B	FC/MC24B	1.01	1.01	0.94
MV12B	FC/MC30B	1.01	1.01	0.94
MX12BN21	FC/MC18B	0.99	0.94	0.92
MX12BN21	FC/MC24B	1.01	0.96	0.93
MX12BN21	FC/MC30B	1.01	0.96	0.93

Furnaces	Coils	T.C.	S.C.	KW
T*(8,L)V*A12	FC/MC/PC18A	0.99	0.98	0.93
T*(8,L)V*A12	FC/MC/PC24A	1.02	1.06	0.93
T*(8,L)V*A12	FC/MC/PC30A	1.02	1.06	0.93
T*(8,L)V*A12	UC18A	0.99	0.99	0.93
T*(8,L)V*A12	UC24A	1.02	1.05	0.93
T*(8,L)V*A12	UC30A	1.02	1.05	0.93
T*(8,L)V*B12	FC/MC/PC18B	0.99	0.98	0.92
T*(8,L)V*B12	FC/MC/PC24B	1.01	1.01	0.93
T*(8,L)V*B12	FC/MC/PC30B	1.01	1.01	0.93
T*(8,L)V*B12	UC18B	1.00	0.99	0.92
T*(8,L)V*B12	UC24B	1.02	1.01	0.91
T*(8,L)V*B12	UC30B	1.02	1.01	0.91
T*9(C,V)*B12	FC/MC/PC18B	0.99	0.98	0.92
T*9(C,V)*B12	FC/MC/PC24B	1.01	1.01	0.92
T*9(C,V)*B12	FC/MC/PC30B	1.01	1.01	0.92
T*9(C,V)*B12	UC18B	1.00	0.99	0.92
T*9(C,V)*B12	UC24B	1.02	1.01	0.92
T*9(C,V)*B12	UC30B	1.02	1.01	0.92
T*9V*A10	FC/MC/PC18A	0.98	0.97	0.94
T*9V*A10	FC/MC/PC24A	1.01	1.00	0.94
T*9V*A10	FC/MC/PC30A	1.01	1.00	0.94
TM8X060A12MP11	FC/MC/PC18A	0.99	0.99	0.94
TM8X060A12MP11	FC/MC/PC24A	1.01	1.01	0.94
TM8X060A12MP11	FC/MC/PC30A	1.01	1.01	0.94
TM8X060A12MP11	UC18A	1.00	0.99	0.94
TM8X060A12MP11	UC24A	1.01	1.01	0.94
TM8X060A12MP11	UC30A	1.01	1.01	0.94
TM8X080B12MP11	FC/MC/PC18B	0.99	0.99	0.94
TM8X080B12MP11	FC/MC/PC24B	1.01	1.01	0.95
TM8X080B12MP11	FC/MC/PC30B	1.01	1.01	0.95
TM8X080B12MP11	UC18B	1.00	0.99	0.94
TM8X080B12MP11	UC24B	1.01	1.01	0.94
TM8X080B12MP11	UC30B	1.01	1.01	0.94
TM9E040A10MP11	FC/MC/PC18A	0.98	0.97	0.99
TM9E040A10MP11	FC/MC/PC24A	0.99	0.99	1.00
TM9E040A10MP11	FC/MC/PC30A	0.99	0.99	1.00
TM9E040A10MP11	UC18A	0.99	0.98	0.99
TM9E040A10MP11	UC24A	1.00	1.00	1.00
TM9E040A10MP11	UC30A	1.00	1.00	1.00
TM9E060B12MP11	FC/MC/PC18B	0.99	0.99	0.95
TM9E060B12MP11	FC/MC/PC24B	1.01	1.01	0.95
TM9E060B12MP11	FC/MC/PC30B	1.01	1.01	0.95
TM9E060B12MP11	UC18B	1.00	0.99	0.95
TM9E060B12MP11	UC24B	1.01	1.01	0.95
TM9E060B12MP11	UC30B	1.01	1.01	0.95
TM9E080B12MP11	FC/MC/PC18B	0.99	0.99	0.95
TM9E080B12MP11	FC/MC/PC24B	1.01	1.01	0.95
TM9E080B12MP11	FC/MC/PC30B	1.01	1.01	0.95
TM9E080B12MP11	UC18B	1.00	0.99	0.95
TM9E080B12MP11	UC24B	1.01	1.01	0.95
TM9E080B12MP11	UC30B	1.01	1.01	0.95

Furnaces	Coils	T.C.	S.C.	KW
TM9X040A10MP11	FC/MC/PC18A	0.98	0.97	0.99
TM9X040A10MP11	FC/MC/PC24A	0.99	0.99	1.00
TM9X040A10MP11	FC/MC/PC30A	0.99	0.99	1.00
TM9X040A10MP11	UC18A	0.99	0.98	0.99
TM9X040A10MP11	UC24A	1.00	1.00	1.00
TM9X040A10MP11	UC30A	1.00	1.00	1.00
TM9X060B12MP11	FC/MC/PC18B	0.99	0.99	0.95
TM9X060B12MP11	FC/MC/PC24B	1.01	1.01	0.95
TM9X060B12MP11	FC/MC/PC30B	1.01	1.01	0.95
TM9X060B12MP11	UC18B	1.00	0.99	0.95
TM9X060B12MP11	UC24B	1.01	1.01	0.95
TM9X060B12MP11	UC30B	1.01	1.01	0.95
TM9X080B12MP11	FC/MC/PC18B	0.99	0.99	0.95
TM9X080B12MP11	FC/MC/PC24B	1.01	1.01	0.95
TM9X080B12MP11	FC/MC/PC30B	1.01	1.01	0.95
TM9X080B12MP11	UC18B	1.00	0.99	0.95
TM9X080B12MP11	UC24B	1.01	1.01	0.95
TM9X080B12MP11	UC30B	1.01	1.01	0.95
TMLX060A12MP11	FC/MC/PC18A	0.99	0.99	0.94
TMLX060A12MP11	FC/MC/PC24A	1.01	1.01	0.94
TMLX060A12MP11	FC/MC/PC30A	1.01	1.01	0.94
TMLX060A12MP11	UC18A	1.00	0.99	0.94
TMLX060A12MP11	UC24A	1.01	1.01	0.94
TMLX060A12MP11	UC30A	1.01	1.01	0.94
TMLX080B12MP11	FC/MC/PC18B	0.99	0.99	0.94
TMLX080B12MP11	FC/MC/PC24B	1.01	1.01	0.95
TMLX080B12MP11	FC/MC/PC30B	1.01	1.01	0.95
TMLX080B12MP11	UC18B	1.00	0.99	0.94
TMLX080B12MP11	UC24B	1.01	1.01	0.94
TMLX080B12MP11	UC24B	1.01	1.01	0.94
TMLX080B12MP11	UC30B	1.01	1.01	0.94
Y*(8,L)C*A12	FC/MC/PC18A	0.99	0.98	0.93
Y*(8,L)C*A12	FC/MC/PC24A	1.02	1.06	0.93
Y*(8,L)C*A12	FC/MC/PC30A	1.02	1.06	0.93
Y*(8,L)C*A12	UC18A	0.99	0.99	0.93
Y*(8,L)C*A12	UC24A	1.02	1.05	0.93
Y*(8,L)C*A12	UC30A	1.02	1.05	0.93
Y*(8,L)C*B12	FC/MC/PC18B	0.99	0.98	0.92
Y*(8,L)C*B12	FC/MC/PC24B	1.01	1.01	0.93
Y*(8,L)C*B12	FC/MC/PC30B	1.01	1.01	0.93
Y*(8,L)C*B12	UC18B	1.00	0.99	0.92
Y*(8,L)C*B12	UC24B	1.02	1.01	0.91
Y*(8,L)C*B12	UC30B	1.02	1.01	0.91
Y*9C*B12	FC/MC/PC18B	0.99	0.98	0.92
Y*9C*B12	FC/MC/PC24B	1.01	1.01	0.92
Y*9C*B12	FC/MC/PC30B	1.01	1.01	0.92
Y*9C*B12	UC18B	1.00	0.99	0.92
Y*9C*B12	UC24B	1.02	1.01	0.92
Y*9C*B12	UC30B	1.02	1.01	0.92

COOLING PERFORMANCE DATA																
AIR CONDITIONER MODEL NO.		YHJD24S41S5														
AIR TEMP. ENTERING OUTDOOR UNIT (°F)	IDCFM	595					795					995				
	ID DB (°F)	80	80	75	80	80	80	80	75	80	80	80	80	75	80	80
	ID WB (°F)	57	62	62	67	72	57	62	62	67	72	57	62	62	67	72
65	T.C.	21.4	24.2	24.1	26.5	27.9	23.7	25.3	25.3	27.1	28.3	26.0	26.4	26.5	27.7	28.7
	S.C.	21.4	20.0	17.2	17.3	14.6	23.7	22.7	19.3	19.1	15.2	26.0	25.5	21.3	20.8	15.8
	KW	1.39	1.39	1.40	1.45	1.42	1.48	1.48	1.50	1.51	1.49	1.56	1.56	1.60	1.57	1.57
75	T.C.	20.6	23.0	22.9	25.2	27.0	22.8	24.0	24.0	26.0	27.4	24.9	25.1	25.1	26.7	27.9
	S.C.	20.6	19.4	16.6	16.6	14.0	22.8	22.1	18.6	18.5	14.7	24.9	24.7	20.7	20.3	15.5
	KW	1.57	1.57	1.58	1.59	1.61	1.65	1.65	1.66	1.67	1.69	1.74	1.74	1.74	1.76	1.77
85	T.C.	19.9	21.7	21.7	23.9	26.1	21.9	22.7	22.7	24.9	26.6	23.8	23.8	23.7	25.8	27.1
	S.C.	19.9	18.8	16.0	16.0	13.4	21.9	21.4	18.0	17.9	14.3	23.8	23.8	20.0	19.7	15.2
	KW	1.75	1.74	1.75	1.74	1.81	1.83	1.83	1.82	1.84	1.89	1.92	1.92	1.88	1.95	1.97
95	T.C.	19.1	20.4	20.5	22.6	25.2	20.9	21.4	21.4	23.7	25.8	22.7	22.5	22.2	24.8	26.3
	S.C.	19.1	18.1	15.4	15.3	12.8	20.9	20.7	17.4	17.2	13.8	22.7	22.5	19.3	19.2	14.9
	KW	1.92	1.92	1.92	1.88	2.00	2.01	2.01	1.97	2.01	2.09	2.10	2.10	2.03	2.14	2.18
105	T.C.	17.9	18.8	18.9	21.2	23.6	19.7	20.0	19.7	22.1	24.2	21.5	21.2	20.5	23.1	24.9
	S.C.	17.9	17.4	14.7	14.7	12.2	19.7	19.7	16.6	16.6	13.2	21.5	21.2	18.6	18.5	14.2
	KW	2.13	2.13	2.14	2.15	2.24	2.24	2.23	2.21	2.27	2.33	2.35	2.32	2.29	2.38	2.42
115	T.C.	16.8	17.1	17.2	19.7	22.0	18.5	18.6	18.0	20.5	22.7	20.2	20.0	18.8	21.4	23.4
	S.C.	16.8	16.6	13.9	14.0	11.5	18.5	18.6	15.9	15.9	12.5	20.2	20.0	17.8	17.8	13.5
	KW	2.35	2.35	2.35	2.42	2.47	2.47	2.45	2.45	2.52	2.57	2.59	2.54	2.55	2.61	2.66
125	T.C.	15.6	15.5	15.6	18.2	20.3	17.3	17.1	16.4	19.0	21.2	19.0	18.8	17.1	19.7	22.0
	S.C.	15.6	15.5	13.1	13.4	10.8	17.3	17.1	15.1	15.2	11.8	19.0	18.8	17.1	17.1	12.9
	KW	2.56	2.57	2.57	2.69	2.71	2.70	2.66	2.69	2.77	2.81	2.84	2.76	2.81	2.85	2.90

NOTE: ALL CAPACITIES INCLUDE INDOOR FAN HEAT. KW VALUES ARE FOR THE SYSTEM (OUTDOOR + INDOOR).

Blue shaded cells are AHRI conditions. Green shaded cells are ACCA (TVA) conditions.

Multipliers for determining the performance with other indoor sections.

NOTE: For dry bulb temperatures different than those listed (between 73-87 °F), sensible capacity increases by 1060 BTUH per 1000 CFM per degree above the listed temperature and decreases by 1060 BTUH per 1000 CFM per degree below the listed temperature.

Air Handlers	Coils	T.C.	S.C.	KW
–	FC/MC/PC24	1.02	0.99	1.02
–	FC/MC/PC30	1.02	0.99	1.02
–	FC/MC/PC32	1.03	1.02	1.00
–	FC/MC/PC35	1.03	1.02	1.00
–	UC24	1.00	0.98	1.00
–	UC30	1.00	0.98	1.00
AHE22B	–	1.02	0.99	0.94
AHE24B	–	1.05	1.01	0.92
AHE30B	–	1.05	1.01	0.92
AHR22B	–	1.00	0.97	1.00
AHR24B	–	1.04	0.99	0.98

Air Handlers	Coils	T.C.	S.C.	KW
AHV24B	–	1.06	1.01	0.95
AHV30B	–	1.06	1.03	0.93
MV12B	FC/MC24B	1.04	0.97	0.93
MV12B	FC/MC24B	1.04	0.97	0.93
MV12B	FC/MC35B	1.05	1.01	0.92
MX12BN21	FC/MC24B	1.04	0.99	0.95
MX12BN21	FC/MC24B	1.04	0.99	0.95
MX12BN21	FC/MC35B	1.05	1.00	0.93
MX16CN21	FC/MC35C	1.05	1.00	0.94

Furnaces	Coils	T.C.	S.C.	KW
T*(8,L)V*A12	FC/MC/PC24A	1.05	1.03	0.96
T*(8,L)V*A12	FC/MC/PC30A	1.05	1.03	0.96
T*(8,L)V*A12	FC/MC/PC32A	1.05	1.05	0.94
T*(8,L)V*A12	UC24A	1.03	0.99	0.93
T*(8,L)V*A12	UC30A	1.03	0.99	0.93
T*(8,L)V*B12	FC/MC/PC24B	1.05	1.03	0.94
T*(8,L)V*B12	FC/MC/PC30B	1.05	1.03	0.94
T*(8,L)V*B12	FC/MC/PC35B	1.06	1.05	0.93
T*(8,L)V*B12	UC24B	1.02	0.99	0.91
T*(8,L)V*B12	UC30B	1.02	0.99	0.91
T*(8,L)V*C16	FC/MC/PC35C	1.07	1.06	0.92
T*(8,L)V*C20	FC/MC/PC35C	1.06	1.05	0.93
T*9V*A10	FC/MC/PC24A	1.03	1.01	0.98
T*9V*A10	FC/MC/PC30A	1.03	1.01	0.98
T*9V*A10	FC/MC/PC32A	1.05	1.04	0.97
T*9V*B12	FC/MC/PC24B	1.04	1.02	0.95
T*9V*B12	FC/MC/PC30B	1.04	1.02	0.95
T*9V*B12	FC/MC/PC35B	1.05	1.03	0.93
T*9V*B12	UC24B	1.03	1.00	0.93
T*9V*B12	UC30B	1.03	1.00	0.93
T*9V*C16	FC/MC/PC35C	1.05	1.05	0.91
T*9V*C20	FC/MC/PC35C	1.06	1.05	0.93
TM8X060A12MP11	FC/MC/PC24A	1.05	1.03	0.95
TM8X060A12MP11	FC/MC/PC30A	1.05	1.03	0.95
TM8X060A12MP11	FC/MC/PC32A	1.05	1.04	0.94
TM8X060A12MP11	UC24A	1.03	1.00	0.93
TM8X060A12MP11	UC30A	1.03	1.00	0.93
TM8X080B12MP11	FC/MC/PC24B	1.05	1.03	0.95
TM8X080B12MP11	FC/MC/PC30B	1.05	1.03	0.95
TM8X080B12MP11	FC/MC/PC35B	1.06	1.05	0.94
TM8X080B12MP11	UC24B	1.03	1.01	0.93
TM8X080B12MP11	UC30B	1.03	1.01	0.93
TM8X080C16MP11	FC/MC/PC35C	1.04	1.03	0.96
TM8X100C16MP11	FC/MC/PC35C	1.04	1.03	0.96
TM8X100C20MP11	FC/MC/PC35C	1.04	1.03	0.97
TM8X120C20MP11	FC/MC/PC35C	1.04	1.03	0.97
TM9E040A10MP11	FC/MC/PC24A	1.02	1.00	1.00
TM9E040A10MP11	FC/MC/PC30A	1.02	1.00	1.00
TM9E040A10MP11	FC/MC/PC32A	1.04	1.04	0.99
TM9E040A10MP11	UC24A	1.01	0.98	0.98
TM9E040A10MP11	UC30A	1.01	0.98	0.98
TM9E060B12MP11	FC/MC/PC24B	1.03	1.01	0.98
TM9E060B12MP11	FC/MC/PC30B	1.03	1.01	0.98
TM9E060B12MP11	FC/MC/PC35B	1.04	1.03	0.96
TM9E060B12MP11	UC24B	1.02	0.99	0.96
TM9E060B12MP11	UC30B	1.02	0.99	0.96
TM9E080B12MP11	FC/MC/PC24B	1.03	1.01	0.98
TM9E080B12MP11	FC/MC/PC30B	1.03	1.01	0.98
TM9E080B12MP11	FC/MC/PC35B	1.04	1.03	0.96
TM9E080B12MP11	UC24B	1.02	0.99	0.96
TM9E080B12MP11	UC30B	1.02	0.99	0.96
TM9E080C16MP11	FC/MC/PC35C	1.04	1.03	0.97
TM9E100C16MP11	FC/MC/PC35C	1.04	1.03	0.97

Furnaces	Coils	T.C.	S.C.	KW
TM9E100C20MP11	FC/MC/PC35C	1.05	1.03	0.94
TM9X040A10MP11	FC/MC/PC24A	1.02	1.00	1.00
TM9X040A10MP11	FC/MC/PC30A	1.02	1.00	1.00
TM9X040A10MP11	FC/MC/PC32A	1.04	1.04	0.99
TM9X040A10MP11	UC24A	1.01	0.98	0.98
TM9X040A10MP11	UC30A	1.01	0.98	0.98
TM9X060B12MP11	FC/MC/PC24B	1.03	1.01	0.98
TM9X060B12MP11	FC/MC/PC30B	1.03	1.01	0.98
TM9X060B12MP11	FC/MC/PC35B	1.04	1.03	0.96
TM9X060B12MP11	UC24B	1.02	0.99	0.96
TM9X060B12MP11	UC30B	1.02	0.99	0.96
TM9X080B12MP11	FC/MC/PC24B	1.03	1.01	0.98
TM9X080B12MP11	FC/MC/PC30B	1.03	1.01	0.98
TM9X080B12MP11	FC/MC/PC35B	1.04	1.03	0.96
TM9X080B12MP11	UC24B	1.02	0.99	0.96
TM9X080B12MP11	UC30B	1.02	0.99	0.96
TM9X080C16MP11	FC/MC/PC35C	1.04	1.03	0.97
TM9X100C16MP11	FC/MC/PC35C	1.04	1.03	0.97
TM9X100C20MP11	FC/MC/PC35C	1.05	1.03	0.94
TMLX060A12MP11	FC/MC/PC24A	1.05	1.03	0.95
TMLX060A12MP11	FC/MC/PC30A	1.05	1.03	0.95
TMLX060A12MP11	FC/MC/PC32A	1.05	1.04	0.94
TMLX060A12MP11	UC24A	1.03	1.00	0.93
TMLX060A12MP11	UC30A	1.03	1.00	0.93
TMLX080B12MP11	FC/MC/PC24B	1.05	1.03	0.95
TMLX080B12MP11	FC/MC/PC30B	1.05	1.03	0.95
TMLX080B12MP11	FC/MC/PC35B	1.06	1.05	0.94
TMLX080B12MP11	UC24B	1.03	1.01	0.93
TMLX080B12MP11	UC30B	1.03	1.01	0.93
TMLX080C16MP11	FC/MC/PC35C	1.04	1.03	0.96
TMLX100C16MP11	FC/MC/PC35C	1.04	1.03	0.96
TMLX100C20MP11	FC/MC/PC35C	1.04	1.03	0.97
TMLX120C20MP11	FC/MC/PC35C	1.04	1.03	0.97
Y*(8,L)C*A12	FC/MC/PC24A	1.05	1.03	0.96
Y*(8,L)C*A12	FC/MC/PC30A	1.05	1.03	0.96
Y*(8,L)C*A12	FC/MC/PC32A	1.05	1.05	0.94
Y*(8,L)C*A12	UC24A	1.03	0.99	0.93
Y*(8,L)C*A12	UC30A	1.03	0.99	0.93
Y*(8,L)C*B12	FC/MC/PC24B	1.05	1.03	0.94
Y*(8,L)C*B12	FC/MC/PC30B	1.05	1.03	0.94
Y*(8,L)C*B12	FC/MC/PC35B	1.06	1.05	0.93
Y*(8,L)C*B12	UC24B	1.02	0.99	0.91
Y*(8,L)C*B12	UC30B	1.02	0.99	0.91
Y*(8,L)C*C16	FC/MC/PC35C	1.07	1.06	0.92
Y*(8,L)C*C20	FC/MC/PC35C	1.06	1.05	0.93
Y*9C*B12	FC/MC/PC24B	1.04	1.02	0.95
Y*9C*B12	FC/MC/PC30B	1.04	1.02	0.95
Y*9C*B12	FC/MC/PC35B	1.05	1.03	0.93
Y*9C*B12	UC24B	1.03	1.00	0.93
Y*9C*B12	UC30B	1.03	1.00	0.93
Y*9C*C16	FC/MC/PC35C	1.05	1.05	0.91
Y*9C*C20	FC/MC/PC35C	1.06	1.05	0.93

COOLING PERFORMANCE DATA																
AIR CONDITIONER MODEL NO.		YHJD30S41S5														
AIR TEMP. ENTERING OUTDOOR UNIT (°F)	IDCFM	800					1000					1200				
	ID DB (°F)	80	80	75	80	80	80	80	75	80	80	80	80	75	80	80
	ID WB (°F)	57	62	62	67	72	57	62	62	67	72	57	62	62	67	72
65	T.C.	20.5	31.6	32.2	34.9	35.9	21.4	33.0	33.3	35.1	36.2	22.3	34.3	34.4	35.4	36.5
	S.C.	20.5	25.4	21.7	21.2	16.1	21.4	28.8	23.9	22.4	16.4	22.3	32.2	26.1	23.6	16.7
	KW	1.90	1.91	1.90	1.90	1.88	1.97	1.98	1.97	1.97	1.96	2.04	2.05	2.04	2.04	2.03
75	T.C.	20.6	28.8	29.2	32.3	34.5	21.2	30.2	30.3	32.8	34.9	21.8	31.5	31.3	33.3	35.2
	S.C.	20.6	24.1	20.5	20.2	15.6	21.2	26.8	22.8	21.8	16.3	21.8	29.5	25.0	23.4	17.0
	KW	2.06	2.07	2.06	2.07	2.07	2.14	2.15	2.13	2.14	2.15	2.22	2.22	2.21	2.22	2.22
85	T.C.	20.6	26.0	26.2	29.8	33.1	21.0	27.4	27.2	30.4	33.5	21.3	28.7	28.2	31.1	33.9
	S.C.	20.6	22.8	19.2	19.3	15.1	21.0	24.8	21.6	21.3	16.2	21.3	26.8	24.0	23.2	17.3
	KW	2.22	2.23	2.21	2.24	2.26	2.31	2.31	2.30	2.32	2.34	2.40	2.39	2.38	2.40	2.42
95	T.C.	20.7	23.2	23.2	27.2	31.6	20.7	24.5	24.2	28.1	32.1	20.8	25.9	25.1	28.9	32.6
	S.C.	20.7	21.5	18.0	18.4	14.6	20.7	22.8	20.5	20.7	16.1	20.8	24.0	22.9	23.0	17.5
	KW	2.38	2.39	2.37	2.41	2.45	2.47	2.48	2.46	2.50	2.53	2.57	2.56	2.54	2.59	2.61
105	T.C.	16.8	20.8	20.5	23.9	28.0	17.3	22.2	21.5	24.6	28.4	17.8	23.6	22.5	25.4	28.9
	S.C.	16.8	19.7	17.0	17.2	13.6	17.3	21.1	19.0	19.4	15.0	17.8	22.4	21.0	21.6	16.4
	KW	2.55	2.56	2.53	2.58	2.63	2.65	2.65	2.63	2.67	2.72	2.76	2.75	2.72	2.76	2.80
115	T.C.	13.1	18.5	17.9	20.6	24.5	14.0	20.0	18.9	21.3	24.9	14.9	21.5	19.8	22.0	25.2
	S.C.	13.1	17.9	16.0	16.0	12.6	14.0	19.4	17.6	18.1	13.9	14.9	20.8	19.1	20.2	15.3
	KW	2.72	2.72	2.69	2.74	2.81	2.83	2.83	2.79	2.84	2.90	2.94	2.93	2.89	2.93	2.99
125	T.C.	9.4	16.2	15.3	17.4	21.1	10.7	17.7	16.3	18.0	21.3	12.0	19.3	17.2	18.6	21.6
	S.C.	9.4	16.2	15.1	14.9	11.6	10.7	17.7	16.1	16.8	12.9	12.0	19.3	17.2	18.8	14.2
	KW	2.90	2.88	2.84	2.91	2.99	3.00	3.00	2.95	3.00	3.08	3.11	3.12	3.06	3.10	3.18

NOTE: ALL CAPACITIES INCLUDE INDOOR FAN HEAT. KW VALUES ARE FOR THE SYSTEM (OUTDOOR + INDOOR).

Blue shaded cells are AHRI conditions. Green shaded cells are ACCA (TVA) conditions.

Multipliers for determining the performance with other indoor sections.

NOTE: For dry bulb temperatures different than those listed (between 73-87 °F), sensible capacity increases by 1060 BTUH per 1000 CFM per degree above the listed temperature and decreases by 1060 BTUH per 1000 CFM per degree below the listed temperature.

Air Handlers	Coils	T.C.	S.C.	KW
–	FC/MC/PC30	1.06	1.04	1.01
–	FC/MC/PC32+TXV*	1.06	1.03	1.00
–	FC/MC/PC35+TXV*	1.06	1.03	1.00
–	FC/MC/PC36+TXV*	1.01	1.00	1.01
AHE30B	–	1.07	1.03	0.95
AHE30B+TXV	–	1.07	1.03	0.89
AHR29C	–	1.05	1.07	1.03
AHR30B	–	1.05	1.00	0.99
AHV30B	–	1.06	1.02	0.96
AHV30B+TXV	–	1.06	1.02	0.90
MV12B	FC/MC30B	1.08	1.00	0.94
MV12B	FC/MC35B	1.07	1.03	0.92
MV12B	FC/MC35B+TXV	1.07	1.03	0.87
MV12B	FC/MC36B	1.03	1.01	0.94

Air Handlers	Coils	T.C.	S.C.	KW
MV16C	FC/MC35C	1.08	1.04	0.91
MV16C	FC/MC35C+TXV	1.08	1.04	0.86
MV16C	FC/MC36C	1.03	1.02	0.94
MX12BN21	FC/MC30B	1.08	1.02	0.95
MX12BN21	FC/MC35B	1.08	1.05	0.94
MX12BN21	FC/MC35B+TXV	1.08	1.05	0.89
MX12BN21	FC/MC36B	1.03	1.03	0.94
MX16CN21	FC/MC35C	1.08	1.03	0.94
MX16CN21	FC/MC35C+TXV	1.08	1.03	0.89
MX16CN21	FC/MC36C	1.03	1.04	0.92

* Designated match-ups require a TXV. Other matches on this page can use a TXV or orifice.

Furnaces	Coils	T.C.	S.C.	KW
T*(8,L)V*A12	FC/MC/PC30A	1.08	1.05	0.97
T*(8,L)V*A12	FC/MC/PC36A	1.03	1.03	0.94
T*(8,L)V*B12	FC/MC/PC30B	1.08	1.08	0.95
T*(8,L)V*B12	FC/MC/PC35B	1.07	1.03	0.96
T*(8,L)V*B12	FC/MC/PC36B	1.03	1.02	0.96
T*(8,L)V*C16	FC/MC/PC35C	1.08	1.06	0.94
T*(8,L)V*C16	FC/MC/PC36C	1.03	1.02	0.94
T*(8,L)V*C20	FC/MC/PC35C	1.07	1.02	0.95
T*(8,L)V*C20	FC/MC/PC36C	1.01	1.00	0.96
T*9V*B12	FC/MC/PC30B	1.08	1.05	0.96
T*9V*B12	FC/MC/PC36B	1.03	1.02	0.95
T*9V*C16	FC/MC/PC35C	1.08	1.05	0.94
T*9V*C16	FC/MC/PC36C	1.03	1.02	0.94
T*9V*C20	FC/MC/PC35C	1.08	1.06	0.94
T*9V*C20	FC/MC/PC36C	1.02	0.99	0.94
TM8X060A12MP11	FC/MC/PC30A	1.08	1.07	0.96
TM8X060A12MP11	FC/MC/PC36A	1.03	1.03	0.95
TM8X080B12MP11	FC/MC/PC30B	1.09	1.07	0.95
TM8X080B12MP11	FC/MC/PC35B	1.07	1.05	0.95
TM8X080B12MP11	FC/MC/PC36B	1.03	1.03	0.96
TM8X080C16MP11	FC/MC/PC35C	1.08	1.07	0.93
TM8X080C16MP11	FC/MC/PC36C	1.04	1.04	0.94
TM8X100C16MP11	FC/MC/PC35C	1.08	1.07	0.93
TM8X100C16MP11	FC/MC/PC36C	1.04	1.04	0.94
TM8X100C20MP11	FC/MC/PC35C	1.08	1.05	0.93
TM8X100C20MP11	FC/MC/PC36C	1.03	1.01	0.94
TM8X120C20MP11	FC/MC/PC35C	1.08	1.05	0.93
TM8X120C20MP11	FC/MC/PC36C	1.03	1.01	0.94
TM9E040A10MP11	FC/MC/PC30A	1.07	1.06	1.02
TM9E060B12MP11	FC/MC/PC30B	1.08	1.07	0.96
TM9E060B12MP11	FC/MC/PC35B	1.07	1.05	0.96
TM9E060B12MP11	FC/MC/PC36B	1.03	1.03	0.96
TM9E080B12MP11	FC/MC/PC30B	1.08	1.07	0.96
TM9E080B12MP11	FC/MC/PC35B	1.07	1.05	0.96
TM9E080B12MP11	FC/MC/PC36B	1.03	1.03	0.96
TM9E080C16MP11	FC/MC/PC35C	1.08	1.05	0.94
TM9E080C16MP11	FC/MC/PC36C	1.03	1.01	0.94
TM9E100C16MP11	FC/MC/PC35C	1.08	1.05	0.94
TM9E100C16MP11	FC/MC/PC36C	1.03	1.01	0.94
TM9X040A10MP11	FC/MC/PC30A	1.07	1.06	1.02

Furnaces	Coils	T.C.	S.C.	KW
TM9X060B12MP11	FC/MC/PC30B	1.08	1.07	0.96
TM9X060B12MP11	FC/MC/PC35B	1.07	1.05	0.96
TM9X060B12MP11	FC/MC/PC36B	1.03	1.03	0.96
TM9X080B12MP11	FC/MC/PC30B	1.08	1.07	0.96
TM9X080B12MP11	FC/MC/PC35B	1.07	1.05	0.96
TM9X080B12MP11	FC/MC/PC36B	1.03	1.03	0.96
TM9X080C16MP11	FC/MC/PC35C	1.08	1.05	0.94
TM9X080C16MP11	FC/MC/PC36C	1.03	1.01	0.94
TM9X100C16MP11	FC/MC/PC35C	1.08	1.05	0.94
TM9X100C16MP11	FC/MC/PC36C	1.03	1.01	0.94
TMLX060A12MP11	FC/MC/PC30A	1.08	1.07	0.96
TMLX060A12MP11	FC/MC/PC36A	1.03	1.03	0.95
TMLX080B12MP11	FC/MC/PC30B	1.09	1.07	0.95
TMLX080B12MP11	FC/MC/PC35B	1.07	1.05	0.95
TMLX080B12MP11	FC/MC/PC36B	1.03	1.03	0.96
TMLX080C16MP11	FC/MC/PC35C	1.08	1.07	0.93
TMLX080C16MP11	FC/MC/PC36C	1.04	1.04	0.94
TMLX100C16MP11	FC/MC/PC35C	1.08	1.07	0.93
TMLX100C16MP11	FC/MC/PC36C	1.04	1.04	0.94
TMLX100C20MP11	FC/MC/PC35C	1.08	1.05	0.93
TMLX100C20MP11	FC/MC/PC36C	1.03	1.01	0.94
TMLX120C20MP11	FC/MC/PC35C	1.08	1.05	0.93
TMLX120C20MP11	FC/MC/PC36C	1.03	1.01	0.94
Y*(8,L)C*A12	FC/MC/PC30A	1.08	1.05	0.97
Y*(8,L)C*A12	FC/MC/PC36A	1.03	1.03	0.94
Y*(8,L)C*B12	FC/MC/PC30B	1.08	1.08	0.95
Y*(8,L)C*B12	FC/MC/PC35B	1.07	1.03	0.96
Y*(8,L)C*B12	FC/MC/PC36B	1.03	1.02	0.96
Y*(8,L)C*C16	FC/MC/PC35C	1.08	1.06	0.94
Y*(8,L)C*C16	FC/MC/PC36C	1.03	1.02	0.94
Y*(8,L)C*C20	FC/MC/PC35C	1.07	1.02	0.95
Y*(8,L)C*C20	FC/MC/PC36C	1.01	1.00	0.96
Y*9C*B12	FC/MC/PC30B	1.08	1.05	0.96
Y*9C*B12	FC/MC/PC36B	1.03	1.02	0.95
Y*9C*C16	FC/MC/PC35C	1.08	1.05	0.94
Y*9C*C16	FC/MC/PC36C	1.03	1.02	0.94
Y*9C*C20	FC/MC/PC35C	1.08	1.06	0.94
Y*9C*C20	FC/MC/PC36C	1.02	0.99	0.94

COOLING PERFORMANCE DATA																
AIR CONDITIONER MODEL NO.		YHJD34S41S1														
AIR TEMP. ENTERING OUTDOOR UNIT (°F)	IDCFM	1000					1200					1400				
	ID DB (°F)	80	80	75	80	80	80	80	75	80	80	80	80	75	80	80
	ID WB (°F)	57	62	62	67	72	57	62	62	67	72	57	62	62	67	72
65	T.C.	30.0	32.5	32.5	35.0	38.4	32.9	33.6	33.4	36.2	39.9	35.7	34.7	34.3	37.4	41.4
	S.C.	29.9	25.2	21.5	21.2	16.9	32.8	28.0	23.3	23.0	18.0	35.6	30.9	25.2	24.8	19.2
	KW	1.97	1.98	1.98	1.99	2.01	2.05	2.06	2.06	2.08	2.09	2.14	2.14	2.14	2.16	2.18
75	T.C.	28.8	30.9	30.8	33.5	36.9	31.3	32.0	31.7	34.6	38.2	33.8	33.1	32.6	35.7	39.4
	S.C.	28.7	24.4	20.7	20.5	16.4	31.2	27.1	22.5	22.2	17.5	33.7	29.8	24.3	24.0	18.7
	KW	2.23	2.24	2.24	2.25	2.27	2.31	2.32	2.32	2.33	2.35	2.39	2.40	2.39	2.41	2.43
85	T.C.	27.6	29.4	29.2	32.0	35.5	29.7	30.4	30.1	33.0	36.5	31.8	31.4	31.0	34.0	37.5
	S.C.	27.5	23.6	19.9	19.7	15.9	29.6	26.1	21.6	21.4	17.0	31.8	28.7	23.3	23.2	18.2
	KW	2.49	2.49	2.50	2.51	2.52	2.57	2.57	2.57	2.59	2.60	2.65	2.65	2.65	2.67	2.68
95	T.C.	26.5	27.8	27.5	30.5	34.0	28.1	28.8	28.4	31.4	34.7	29.8	29.8	29.3	32.3	35.5
	S.C.	26.3	22.8	19.1	19.0	15.4	28.1	25.2	20.7	20.7	16.5	29.8	27.6	22.3	22.3	17.6
	KW	2.74	2.75	2.76	2.77	2.77	2.83	2.83	2.83	2.84	2.85	2.91	2.91	2.90	2.92	2.93
105	T.C.	24.8	25.9	28.9	28.3	31.6	26.4	26.8	28.1	29.2	32.4	28.1	27.7	27.2	30.0	33.2
	S.C.	24.7	21.8	18.3	18.2	14.5	26.4	24.1	19.9	19.9	15.7	28.1	26.3	21.5	21.6	16.8
	KW	3.11	3.12	3.12	3.13	3.15	3.20	3.20	3.20	3.21	3.23	3.28	3.28	3.27	3.29	3.30
115	T.C.	23.2	24.0	30.3	26.3	29.3	24.8	24.8	27.8	27.0	30.1	26.3	25.7	25.2	27.8	30.9
	S.C.	23.2	20.8	17.5	17.5	13.7	24.8	23.0	19.1	19.2	14.9	26.4	25.1	20.8	20.9	16.1
	KW	3.47	3.48	3.47	3.49	3.51	3.55	3.56	3.55	3.57	3.59	3.63	3.64	3.63	3.65	3.67
125	T.C.	21.6	22.2	31.7	24.2	27.1	23.1	22.9	27.5	24.9	27.8	24.6	23.6	23.2	25.6	28.6
	S.C.	21.7	19.9	16.7	16.7	12.8	23.2	21.9	18.4	18.4	14.1	24.7	23.8	20.0	20.1	15.3
	KW	3.83	3.84	3.83	3.84	3.87	3.91	3.92	3.91	3.93	3.95	3.99	4.00	3.99	4.01	4.03

NOTE: ALL CAPACITIES INCLUDE INDOOR FAN HEAT. KW VALUES ARE FOR THE SYSTEM (OUTDOOR + INDOOR).

Blue shaded cells are AHRI conditions. **Green** shaded cells are ACCA (TVA) conditions.

Multipliers for determining the performance with other indoor sections.

NOTE: For dry bulb temperatures different than those listed (between 73-87 °F), sensible capacity increases by 1060 BTUH per 1000 CFM per degree above the listed temperature and decreases by 1060 BTUH per 1000 CFM per degree below the listed temperature.

Air Handlers	Coils	T.C.	S.C.	KW
AHR34C	—	1.04	1.09	1.01

COOLING PERFORMANCE DATA																
AIR CONDITIONER MODEL NO.		YHJD36S41S4														
AIR TEMP. ENTERING OUTDOOR UNIT (°F)	IDCFM	1000					1200					1400				
	ID DB (°F)	80	80	75	80	80	80	80	75	80	80	80	80	75	80	80
	ID WB (°F)	57	62	62	67	72	57	62	62	67	72	57	62	62	67	72
65	T.C.	35.0	39.8	39.9	42.7	45.2	37.7	40.6	41.0	43.5	45.7	40.5	41.5	42.0	44.4	46.1
	S.C.	34.9	32.4	27.9	27.1	22.7	37.7	35.4	29.9	28.6	23.2	40.4	38.5	31.8	30.2	23.8
	KW	2.40	2.40	2.40	2.50	2.50	2.50	2.50	2.50	2.50	2.50	2.60	2.60	2.60	2.60	2.60
75	T.C.	33.3	36.8	36.9	39.9	42.9	35.7	37.6	37.9	40.8	43.4	38.1	38.5	38.9	41.8	43.9
	S.C.	33.2	31.1	26.5	25.9	21.5	35.7	33.7	28.5	27.6	22.2	38.1	36.4	30.5	29.4	22.9
	KW	2.60	2.60	2.60	2.70	2.70	2.70	2.70	2.70	2.70	2.80	2.80	2.80	2.80	2.80	2.80
85	T.C.	31.6	33.8	33.9	37.1	40.6	33.7	34.6	34.8	38.2	41.2	35.8	35.5	35.7	39.2	41.8
	S.C.	31.5	29.7	25.1	24.8	20.2	33.6	32.1	27.2	26.7	21.1	35.7	34.4	29.2	28.5	22.0
	KW	2.80	2.80	2.80	2.90	2.90	2.90	2.90	2.90	2.90	3.00	3.00	3.00	3.00	3.00	3.10
95	T.C.	29.9	30.8	30.8	34.3	38.4	31.7	31.6	31.7	35.5	39.0	33.5	32.5	32.6	36.6	39.6
	S.C.	29.8	28.4	23.7	23.6	19.0	31.6	30.4	25.8	25.7	20.1	33.4	32.4	27.9	27.7	21.1
	KW	2.90	2.90	3.00	3.10	3.10	3.00	3.10	3.10	3.10	3.20	3.20	3.20	3.20	3.20	3.30
105	T.C.	26.3	26.7	27.4	31.4	35.3	28.6	28.5	28.1	32.4	35.9	30.9	30.4	28.8	33.3	36.5
	S.C.	26.3	25.5	22.3	22.4	17.8	28.6	27.9	24.3	24.5	18.9	30.9	30.4	26.3	26.5	20.0
	KW	3.10	3.10	3.10	3.20	3.30	3.20	3.20	3.20	3.30	3.40	3.30	3.30	3.30	3.40	3.50
115	T.C.	22.8	22.6	24.1	28.5	32.2	25.6	25.5	24.5	29.2	32.8	28.4	28.4	25.0	30.0	33.5
	S.C.	22.8	22.5	20.8	21.3	16.6	25.5	25.4	22.8	23.3	17.8	28.3	28.3	24.8	25.3	18.9
	KW	3.20	3.20	3.20	3.40	3.50	3.40	3.40	3.30	3.50	3.60	3.50	3.50	3.40	3.60	3.60
125	T.C.	19.3	18.4	20.7	25.6	29.1	22.5	22.4	20.9	26.1	29.8	25.8	26.4	21.2	26.7	30.4
	S.C.	19.2	18.4	19.3	20.1	15.4	22.5	22.4	20.9	22.1	16.6	25.8	26.3	21.2	24.0	17.8
	KW	3.40	3.40	3.30	3.50	3.70	3.60	3.50	3.50	3.60	3.70	3.70	3.70	3.60	3.80	3.80

NOTE: ALL CAPACITIES INCLUDE INDOOR FAN HEAT. KW VALUES ARE FOR THE SYSTEM (OUTDOOR + INDOOR).

Blue shaded cells are AHRI conditions. Green shaded cells are ACCA (TVA) conditions.

Multipliers for determining the performance with other indoor sections.

NOTE: For dry bulb temperatures different than those listed (between 73-87 °F), sensible capacity increases by 1060 BTUH per 1000 CFM per degree above the listed temperature and decreases by 1060 BTUH per 1000 CFM per degree below the listed temperature.

Air Handlers	Coils	T.C.	S.C.	KW
–	FC/MC/PC37	1.03	1.02	1.02
–	FC/MC/PC43	1.03	1.02	1.02
–	FC/MC/PC48	1.03	1.03	1.02
–	UC48	1.04	1.03	1.02
AHE36C	–	1.05	1.04	0.96
AHE42D	–	1.05	1.05	0.94
AHR36B	–	1.04	1.04	1.02
AHR42C	–	1.04	1.04	1.01
AHV36C	–	1.04	1.04	0.97
AHV42D	–	1.05	1.05	0.95
MV12B	FC/MC43B	1.04	1.04	0.97

Air Handlers	Coils	T.C.	S.C.	KW
MV12D	FC/MC48D	1.06	1.05	0.93
MV16C	FC/MC43C	1.05	1.04	0.96
MV16C	FC/MC48C	1.05	1.05	0.95
MX12BN21	FC/MC43B	1.06	1.04	0.96
MX12DN21	FC/MC48D	1.07	1.07	0.93
MX16CN21	FC/MC43C	1.06	1.04	0.96
MX16CN21	FC/MC48C	1.06	1.05	0.96
MX20DN21	FC/MC48D	1.07	1.07	0.92

Furnaces	Coils	T.C.	S.C.	KW
T*(8,L)V*A12	FC/MC/PC37A	1.03	1.03	1.00
T*(8,L)V*B12	FC/MC/PC43B	1.04	1.06	1.01
T*(8,L)V*C16	FC/MC/PC43C	1.04	1.04	0.96
T*(8,L)V*C16	FC/MC/PC48C	1.05	1.05	0.96
T*(8,L)V*C16	UC48C	1.05	1.05	0.96
T*(8,L)V*C20	FC/MC/PC43C	1.04	1.04	0.96
T*(8,L)V*C20	FC/MC/PC48C	1.05	1.05	0.95
T*(8,L)V*C20	UC48C	1.06	1.05	0.95
T*9(C,V)*B12	FC/MC/PC43B	1.03	1.03	1.00
T*9(C,V)*C16	FC/MC/PC43C	1.04	1.03	0.99
T*9(C,V)*C16	FC/MC/PC48C	1.05	1.04	0.97
T*9(C,V)*C16	UC48C	1.05	1.04	0.97
T*9(C,V)*C20	FC/MC/PC43C	1.04	1.04	0.97
T*9(C,V)*C20	FC/MC/PC48C	1.07	1.10	0.99
T*9(C,V)*C20	UC48C	1.07	1.10	1.00
T*9(C,V)*D20	FC/MC/PC48D	1.05	1.04	0.96
T*9(C,V)*D20	UC48D	1.05	1.04	0.97
TM8X080B12MP11	FC/MC/PC43B	1.04	1.02	0.97
TM8X080C16MP11	FC/MC/PC43C	1.05	1.04	0.94
TM8X080C16MP11	FC/MC/PC48C	1.05	1.06	0.94
TM8X100C16MP11	FC/MC/PC43C	1.05	1.04	0.94
TM8X100C16MP11	FC/MC/PC48C	1.05	1.06	0.94
TM8X100C20MP11	FC/MC/PC43C	1.06	1.06	0.95
TM8X100C20MP11	FC/MC/PC48C	1.06	1.07	0.95
TM8X120C20MP11	FC/MC/PC43C	1.06	1.06	0.95
TM8X120C20MP11	FC/MC/PC48C	1.06	1.07	0.95
TM9E060B12MP11	FC/MC/PC43B	1.05	1.04	0.98
TM9E080B12MP11	FC/MC/PC43B	1.05	1.04	0.98
TM9E080C16MP11	FC/MC/PC43C	1.04	1.03	0.95
TM9E080C16MP11	FC/MC/PC48C	1.05	1.06	0.96
TM9E080C16MP11	UC48C	1.02	0.99	0.95
TM9E100C16MP11	FC/MC/PC43C	1.04	1.03	0.95
TM9E100C16MP11	FC/MC/PC48C	1.05	1.06	0.96
TM9E100C16MP11	UC48C	1.02	0.99	0.95
TM9E100C20MP11	FC/MC/PC43C	1.05	1.04	0.95
TM9E100C20MP11	FC/MC/PC48C	1.05	1.06	0.95
TM9E100C20MP11	UC48C	1.02	0.99	0.95
TM9E120D20MP11	FC/MC/PC48D	1.05	1.05	0.94
TM9E120D20MP11	UC48D	1.01	0.98	0.94
TM9X060B12MP11	FC/MC/PC43B	1.05	1.04	0.98
TM9X080B12MP11	FC/MC/PC43B	1.05	1.04	0.98
TM9X080C16MP11	FC/MC/PC43C	1.04	1.03	0.95

Furnaces	Coils	T.C.	S.C.	KW
TM9X080C16MP11	FC/MC/PC48C	1.05	1.06	0.96
TM9X080C16MP11	UC48C	1.02	0.99	0.95
TM9X100C16MP11	FC/MC/PC43C	1.04	1.03	0.95
TM9X100C16MP11	FC/MC/PC48C	1.05	1.06	0.96
TM9X100C16MP11	UC48C	1.02	0.99	0.95
TM9X100C20MP11	FC/MC/PC43C	1.05	1.04	0.95
TM9X100C20MP11	FC/MC/PC48C	1.05	1.06	0.95
TM9X100C20MP11	UC48C	1.02	0.99	0.95
TM9X120D20MP11	FC/MC/PC48D	1.05	1.05	0.94
TM9X120D20MP11	UC48D	1.01	0.98	0.94
TMLX080B12MP11	FC/MC/PC43B	1.04	1.02	0.97
TMLX080C16MP11	FC/MC/PC43C	1.05	1.04	0.94
TMLX080C16MP11	FC/MC/PC48C	1.05	1.06	0.94
TMLX080C16MP11	UC48C	1.02	0.99	0.94
TMLX100C16MP11	FC/MC/PC43C	1.05	1.04	0.94
TMLX100C16MP11	FC/MC/PC48C	1.05	1.06	0.94
TMLX100C16MP11	UC48C	1.02	0.99	0.94
TMLX100C20MP11	FC/MC/PC43C	1.06	1.06	0.95
TMLX100C20MP11	FC/MC/PC48C	1.06	1.07	0.95
TMLX100C20MP11	UC48C	1.01	0.97	0.95
TMLX120C20MP11	FC/MC/PC43C	1.06	1.06	0.95
TMLX120C20MP11	FC/MC/PC48C	1.06	1.07	0.95
TMLX120C20MP11	UC48C	1.01	0.97	0.95
Y*(8,L)C*A12	FC/MC/PC37A	1.03	1.03	1.00
Y*(8,L)C*B12	FC/MC/PC43B	1.04	1.06	1.01
Y*(8,L)C*C16	FC/MC/PC43C	1.04	1.04	0.96
Y*(8,L)C*C16	FC/MC/PC48C	1.05	1.05	0.96
Y*(8,L)C*C16	UC48C	1.05	1.05	0.96
Y*(8,L)C*C20	FC/MC/PC43C	1.04	1.04	0.96
Y*(8,L)C*C20	FC/MC/PC48C	1.05	1.05	0.95
Y*(8,L)C*C20	UC48C	1.06	1.05	0.95
Y*9C*B12	FC/MC/PC43B	1.03	1.03	1.00
Y*9C*C16	FC/MC/PC43C	1.04	1.03	0.99
Y*9C*C16	FC/MC/PC48C	1.05	1.04	0.97
Y*9C*C16	UC48C	1.05	1.04	0.97
Y*9C*C20	FC/MC/PC43C	1.04	1.04	0.97
Y*9C*C20	FC/MC/PC48C	1.07	1.10	0.99
Y*9C*C20	UC48C	1.07	1.10	1.00
Y*9C*D20	FC/MC/PC48D	1.05	1.04	0.96
Y*9C*D20	UC48D	1.05	1.04	0.97

COOLING PERFORMANCE DATA																
AIR CONDITIONER MODEL NO.		YHJD42S41S4														
AIR TEMP. ENTERING OUTDOOR UNIT (°F)	IDCFM	1200					1400					1600				
	ID DB (°F)	80	80	75	80	80	80	80	75	80	80	80	80	75	80	80
	ID WB (°F)	57	62	62	67	72	57	62	62	67	72	57	62	62	67	72
65	T.C.	42.5	44.2	45.0	49.4	52.7	44.4	45.8	46.4	50.5	53.5	46.4	47.4	47.7	51.5	54.4
	S.C.	42.5	38.4	32.9	32.8	26.7	44.4	42.2	35.3	34.7	27.6	46.4	46.0	37.6	36.7	28.6
	KW	2.70	2.80	2.80	2.80	2.90	2.80	2.80	2.90	2.90	2.90	2.90	2.90	2.90	3.00	3.00
75	T.C.	39.9	40.7	41.7	46.3	49.8	41.8	42.3	42.9	47.2	50.6	43.7	43.9	44.1	48.1	51.3
	S.C.	39.9	36.8	31.4	31.4	25.4	41.8	40.0	33.7	33.3	26.4	43.7	43.2	36.0	35.3	27.4
	KW	2.90	2.90	2.90	3.00	3.10	3.00	3.00	3.00	3.10	3.10	3.10	3.10	3.10	3.20	3.20
85	T.C.	37.4	37.3	38.4	43.2	47.0	39.2	38.8	39.5	44.0	47.6	41.0	40.4	40.6	44.8	48.3
	S.C.	37.4	35.1	29.8	29.9	24.1	39.2	37.8	32.1	32.0	25.1	41.0	40.4	34.4	34.0	26.1
	KW	3.10	3.10	3.10	3.20	3.30	3.20	3.20	3.20	3.30	3.30	3.30	3.30	3.30	3.40	3.40
95	T.C.	34.8	33.9	35.0	40.1	44.1	36.6	35.4	36.0	40.7	44.7	38.3	36.8	37.0	41.4	45.3
	S.C.	34.8	33.4	28.3	28.5	22.8	36.6	35.4	30.6	29.9	23.8	38.3	36.8	32.8	32.6	24.8
	KW	3.30	3.30	3.30	3.40	3.50	3.40	3.40	3.40	3.50	3.50	3.50	3.50	3.50	3.60	3.60
105	T.C.	31.6	31.2	30.9	36.1	40.5	33.4	32.8	31.7	37.1	41.2	35.3	34.5	32.6	38.0	42.0
	S.C.	31.6	31.2	26.5	26.9	21.3	33.4	32.8	28.6	29.1	22.4	35.3	34.5	30.8	31.3	23.6
	KW	3.50	3.50	3.50	3.60	3.70	3.60	3.60	3.60	3.70	3.80	3.80	3.80	3.70	3.80	3.90
115	T.C.	28.3	28.5	26.7	32.1	36.9	30.3	30.3	27.4	33.4	37.8	32.2	32.1	28.1	34.7	38.6
	S.C.	28.3	28.5	24.6	25.3	19.7	30.3	30.3	26.7	27.6	21.0	32.2	32.1	28.1	29.9	22.4
	KW	3.70	3.70	3.60	3.80	3.90	3.80	3.80	3.70	3.90	4.00	4.00	4.00	3.80	4.00	4.10
125	T.C.	25.1	25.8	22.6	28.1	33.3	27.1	27.8	23.1	29.7	34.3	29.1	29.7	23.7	31.3	35.3
	S.C.	25.1	25.8	22.6	23.6	18.1	27.1	27.8	23.1	26.1	19.6	29.1	29.7	23.7	28.6	21.2
	KW	3.90	3.90	3.80	4.00	4.20	4.00	4.00	3.90	4.10	4.30	4.20	4.20	4.00	4.20	4.40

NOTE: ALL CAPACITIES INCLUDE INDOOR FAN HEAT. KW VALUES ARE FOR THE SYSTEM (OUTDOOR + INDOOR).

Blue shaded cells are AHRI conditions. Green shaded cells are ACCA (TVA) conditions.

Multipliers for determining the performance with other indoor sections.

NOTE: For dry bulb temperatures different than those listed (between 73-87 °F), sensible capacity increases by 1060 BTUH per 1000 CFM per degree above the listed temperature and decreases by 1060 BTUH per 1000 CFM per degree below the listed temperature.

Air Handlers	Coils	T.C.	S.C.	KW
-	FC/MC/PC60	0.96	0.99	1.01
-	UC60	0.96	0.98	1.02
AHE48D	-	0.98	1.01	0.94
AHR48D	-	0.96	0.96	1.01
AHV48D	-	0.97	0.97	0.96
MV16C	FC/MC48C	1.02	1.02	0.95
MV16C	FC60C	0.98	1.00	0.97

Air Handlers	Coils	T.C.	S.C.	KW
MV20D	FC/MC48D	1.03	1.04	0.93
MV20D	FC/MC60D	0.98	1.00	0.96
MX16CN21	FC60C	0.98	0.93	0.98
MX20DN21	FC/MC60D	1.00	0.95	0.95

Furnaces	Coils	T.C.	S.C.	KW
T*(8,L)V*C16	FC/MC/PC48C	1.02	1.03	0.96
T*(8,L)V*C16	FC/PC60C	0.97	1.00	0.98
T*(8,L)V*C16	UC60C	0.97	1.00	0.97
T*(8,L)V*C20	FC/MC/PC48C	1.02	1.02	0.95
T*(8,L)V*C20	FC/PC60C	0.98	1.00	0.96
T*(8,L)V*C20	UC60C	0.97	1.00	0.96
T*9(C,V)*C16	FC/MC/PC48C	1.01	1.01	0.97
T*9(C,V)*C16	FC/PC60C	0.97	0.99	1.01
T*9(C,V)*C16	UC60C	0.96	0.99	1.00
T*9(C,V)*C20	FC/MC/PC48C	1.01	1.02	0.97
T*9(C,V)*C20	FC/PC60C	0.97	1.00	0.99
T*9(C,V)*C20	UC60C	0.97	0.99	0.99
T*9(C,V)*D20	FC/MC/PC48D	1.02	1.03	0.96
T*9(C,V)*D20	FC/MC/PC60D	0.97	1.00	0.98
T*9(C,V)*D20	UC60D	0.97	1.00	0.98
TM8X080C16MP11	FC/PC60C	0.99	1.01	0.99
TM8X080C16MP11	UC60C	0.97	0.99	0.99
TM8X100C16MP11	FC/PC60C	0.99	1.01	0.99
TM8X100C16MP11	UC60C	0.97	0.99	0.99
TM8X100C20MP11	FC/PC60C	0.98	1.00	0.98
TM8X100C20MP11	UC60C	0.97	0.98	0.98
TM8X120C20MP11	FC/PC60C	0.98	1.00	0.98
TM8X120C20MP11	UC60C	0.97	0.98	0.98
TM9E120D20MP11	FC/MC/PC60D	0.99	0.99	1.00
TM9E120D20MP11	UC60D	0.98	0.99	0.99
TM9X120D20MP11	FC/MC/PC60D	0.99	0.99	1.00

Furnaces	Coils	T.C.	S.C.	KW
TM9X120D20MP11	UC60D	0.98	0.99	0.99
TMLX080C16MP11	FC/PC60C	0.99	1.01	0.99
TMLX080C16MP11	UC60C	0.97	0.99	0.99
TMLX100C16MP11	FC/PC60C	0.99	1.01	0.99
TMLX100C16MP11	UC60C	0.97	0.99	0.99
TMLX100C20MP11	FC/PC60C	0.98	1.00	0.98
TMLX100C20MP11	UC60C	0.97	0.98	0.98
TMLX120C20MP11	FC/PC60C	0.98	1.00	0.98
TMLX120C20MP11	UC60C	0.97	0.98	0.98
Y*(8,L)C*C16	FC/MC/PC48C	1.02	1.03	0.96
Y*(8,L)C*C16	FC/PC60C	0.97	1.00	0.98
Y*(8,L)C*C16	UC60C	0.97	1.00	0.97
Y*(8,L)C*C20	FC/MC/PC48C	1.02	1.02	0.95
Y*(8,L)C*C20	FC/PC60C	0.98	1.00	0.96
Y*(8,L)C*C20	UC60C	0.97	1.00	0.96
Y*9C*C16	FC/MC/PC48C	1.01	1.01	0.97
Y*9C*C16	FC/PC60C	0.97	0.99	1.01
Y*9C*C16	UC60C	0.96	0.99	1.00
Y*9C*C20	FC/MC/PC48C	1.01	1.02	0.97
Y*9C*C20	FC/PC60C	0.97	1.00	0.99
Y*9C*C20	UC60C	0.97	0.99	0.99
Y*9C*D20	FC/MC/PC48D	1.02	1.03	0.96
Y*9C*D20	FC/MC/PC60D	0.97	1.00	0.98
Y*9C*D20	UC60D	0.97	1.00	0.98

COOLING PERFORMANCE DATA																
AIR CONDITIONER MODEL NO.		YHJD48S41S4														
AIR TEMP. ENTERING OUTDOOR UNIT (°F)	IDCFM	1510					1710					1910				
	ID DB (°F)	80	80	75	80	80	80	80	75	80	80	80	80	75	80	80
	ID WB (°F)	57	62	62	67	72	57	62	62	67	72	57	62	62	67	72
65	T.C.	47.6	50.1	49.8	54.1	60.7	49.4	50.8	51.0	55.8	61.9	51.2	51.5	52.2	57.5	63.1
	S.C.	47.6	44.7	37.8	37.0	30.4	49.4	48.3	39.9	39.3	31.5	51.2	51.5	42.0	41.6	32.6
	KW	2.90	2.90	2.90	3.00	3.00	3.00	3.00	3.00	3.00	3.10	3.10	3.10	3.10	3.10	3.20
75	T.C.	45.1	46.6	46.5	50.8	56.9	46.7	47.2	47.5	52.2	58.0	48.4	47.9	48.5	53.6	59.0
	S.C.	45.1	43.1	36.2	35.6	28.9	46.7	45.8	38.3	37.8	30.0	48.4	47.9	40.3	40.0	31.1
	KW	3.20	3.20	3.20	3.20	3.30	3.20	3.20	3.20	3.30	3.30	3.30	3.30	3.30	3.40	3.40
85	T.C.	42.5	43.1	43.2	47.5	53.2	44.1	43.7	44.0	48.6	54.1	45.6	44.3	44.7	49.7	55.0
	S.C.	42.5	41.5	34.7	34.2	27.3	44.1	43.3	36.7	36.2	28.4	45.6	44.3	38.7	38.3	29.6
	KW	3.40	3.40	3.40	3.50	3.50	3.50	3.50	3.50	3.50	3.60	3.60	3.60	3.60	3.60	3.70
95	T.C.	40.0	39.6	39.9	44.2	49.4	41.4	40.2	40.4	45.0	50.2	42.8	40.7	41.0	45.8	51.0
	S.C.	40.0	39.6	33.1	32.7	25.8	41.4	40.2	35.0	34.7	26.9	42.8	40.7	37.0	36.6	28.0
	KW	3.60	3.60	3.60	3.70	3.80	3.70	3.70	3.70	3.80	3.90	3.80	3.80	3.80	3.90	4.00
105	T.C.	37.2	37.1	36.3	40.6	45.3	38.5	37.8	36.8	41.1	45.9	39.7	38.6	37.2	41.7	46.6
	S.C.	37.2	37.1	31.6	31.3	24.2	38.5	37.8	33.5	33.2	25.2	39.7	38.6	35.4	35.1	26.3
	KW	3.90	3.90	3.90	4.00	4.10	4.00	4.00	3.90	4.00	4.20	4.10	4.10	4.00	4.10	4.20
115	T.C.	34.5	34.5	32.8	36.9	41.1	35.5	35.5	33.1	37.2	41.6	36.6	36.4	33.5	37.6	42.1
	S.C.	34.5	34.5	30.0	29.8	22.5	35.5	35.5	31.9	31.7	23.6	36.6	36.4	33.5	33.5	24.6
	KW	4.10	4.10	4.10	4.20	4.30	4.20	4.20	4.20	4.30	4.40	4.40	4.40	4.30	4.40	4.50
125	T.C.	31.7	31.9	29.3	33.2	37.0	32.6	33.1	29.5	33.3	37.3	33.5	34.2	29.7	33.4	37.7
	S.C.	31.7	31.9	28.5	28.3	20.9	32.6	33.1	29.5	30.1	21.9	33.5	34.2	29.7	31.9	22.9
	KW	4.40	4.40	4.30	4.50	4.60	4.50	4.50	4.40	4.50	4.70	4.60	4.60	4.50	4.60	4.80

NOTE: ALL CAPACITIES INCLUDE INDOOR FAN HEAT. KW VALUES ARE FOR THE SYSTEM (OUTDOOR + INDOOR).

Blue shaded cells are AHRI conditions. Green shaded cells are ACCA (TVA) conditions.

Multipliers for determining the performance with other indoor sections.

NOTE: For dry bulb temperatures different than those listed (between 73-87 °F), sensible capacity increases by 1060 BTUH per 1000 CFM per degree above the listed temperature and decreases by 1060 BTUH per 1000 CFM per degree below the listed temperature.

Air Handlers	Coils	T.C.	S.C.	KW
–	FC/MC/PC60	0.98	0.97	0.98
–	FC/MC62	0.99	0.98	0.98
–	UC60	0.97	0.95	0.97
AHE48D	–	0.99	0.97	0.93
AHE60D	–	1.00	0.99	0.92
AHR48D	–	0.98	0.95	0.98
AHR60D	–	0.98	0.97	0.97
AHV48D	–	0.99	0.96	0.94

Air Handlers	Coils	T.C.	S.C.	KW
AHV60D	–	0.99	0.99	0.94
MV16C	FC60C	0.99	0.99	0.94
MV20D	FC/MC60D	0.99	0.99	0.94
MV20D	FC/MC62D	1.00	0.99	0.93
MX16CN21	FC60C	1.02	0.99	0.96
MX20DN21	FC/MC60D	1.04	1.02	0.94
MX20DN21	FC/MC62D	1.03	1.03	0.93

Furnaces	Coils	T.C.	S.C.	KW
T*(8,L)V*C16	FC/MC62D	0.99	0.99	0.95
T*(8,L)V*C16	FC/PC60C	0.98	0.98	0.96
T*(8,L)V*C16	UC60C	0.98	0.95	0.96
T*(8,L)V*C20	FC/MC62D	1.00	0.99	0.95
T*(8,L)V*C20	FC/PC60C	0.99	0.98	0.96
T*(8,L)V*C20	UC60C	0.98	0.96	0.94
T*9(C,V)*C16	FC/MC62D	0.99	0.99	0.96
T*9(C,V)*C16	FC/PC60C	0.98	0.98	0.97
T*9(C,V)*C16	UC60C	0.98	0.95	0.97
T*9(C,V)*C20	FC/MC62D	0.99	0.98	0.98
T*9(C,V)*C20	FC/PC60C	0.98	0.97	0.97
T*9(C,V)*C20	UC60C	0.98	0.95	0.97
T*9(C,V)*D20	FC/MC/PC60D	0.99	0.98	0.97
T*9(C,V)*D20	FC/MC62D	0.99	0.98	0.96
T*9(C,V)*D20	UC60D	0.98	0.95	0.96
TM8X080C16MP11	FC/MC62D	1.01	1.03	0.98
TM8X080C16MP11	FC/PC60C	1.02	1.03	0.99
TM8X080C16MP11	UC60C	0.99	0.99	0.98
TM8X100C16MP11	FC/MC62D	1.01	1.03	0.98
TM8X100C16MP11	FC/PC60C	1.02	1.03	0.99
TM8X100C16MP11	UC60C	0.99	0.99	0.98
TM8X100C20MP11	FC/MC62D	1.01	1.02	0.97
TM8X100C20MP11	FC/PC60C	1.01	1.02	0.97
TM8X100C20MP11	UC60C	0.99	0.99	0.97
TM8X120C20MP11	FC/MC62D	1.01	1.02	0.97
TM8X120C20MP11	FC/PC60C	1.01	1.02	0.97
TM8X120C20MP11	UC60C	0.99	0.99	0.97
TM9E100C20MP11	FC/MC62D	1.01	1.03	0.98
TM9E120D20MP11	FC/MC/PC60D	1.01	1.02	0.97
TM9E120D20MP11	FC/MC62D	1.01	1.03	0.98
TM9E120D20MP11	UC60D	0.99	0.99	0.97
TM9X100C20MP11	FC/MC62D	1.01	1.03	0.98

Furnaces	Coils	T.C.	S.C.	KW
TM9X120D20MP11	FC/MC/PC60D	1.01	1.02	0.97
TM9X120D20MP11	FC/MC62D	1.01	1.03	0.98
TM9X120D20MP11	UC60D	0.99	0.99	0.97
TMLX080C16MP11	FC/MC62D	1.01	1.03	0.98
TMLX080C16MP11	FC/PC60C	1.02	1.03	0.99
TMLX080C16MP11	UC60C	0.99	0.99	0.98
TMLX100C16MP11	FC/MC62D	1.01	1.03	0.98
TMLX100C16MP11	FC/PC60C	1.02	1.03	0.99
TMLX100C16MP11	UC60C	0.99	0.99	0.98
TMLX100C20MP11	FC/MC62D	1.01	1.02	0.97
TMLX100C20MP11	FC/PC60C	1.01	1.02	0.97
TMLX100C20MP11	UC60C	0.99	0.99	0.97
TMLX120C20MP11	FC/MC62D	1.01	1.02	0.97
TMLX120C20MP11	FC/PC60C	1.01	1.02	0.97
TMLX120C20MP11	UC60C	0.99	0.99	0.97
Y*(8,L)C*C16	FC/MC62D	0.99	0.99	0.95
Y*(8,L)C*C16	FC/PC60C	0.98	0.98	0.96
Y*(8,L)C*C16	UC60C	0.98	0.95	0.96
Y*(8,L)C*C20	FC/MC62D	1.00	0.99	0.95
Y*(8,L)C*C20	FC/PC60C	0.99	0.98	0.96
Y*(8,L)C*C20	UC60C	0.98	0.96	0.94
Y*9C*C16	FC/MC62D	0.99	0.99	0.96
Y*9C*C16	FC/PC60C	0.98	0.98	0.97
Y*9C*C16	UC60C	0.98	0.95	0.97
Y*9C*C20	FC/MC62D	0.99	0.98	0.98
Y*9C*C20	FC/PC60C	0.98	0.97	0.97
Y*9C*C20	UC60C	0.98	0.95	0.97
Y*9C*D20	FC/MC/PC60D	0.99	0.98	0.97
Y*9C*D20	FC/MC62D	0.99	0.98	0.96
Y*9C*D20	UC60D	0.98	0.95	0.96

COOLING PERFORMANCE DATA																
AIR CONDITIONER MODEL NO.		YHJD60S41S6														
AIR TEMP. ENTERING OUTDOOR UNIT (°F)	IDCFM	1650					1850					2050				
	ID DB (°F)	80	80	75	80	80	80	80	75	80	80	80	80	75	80	80
	ID WB (°F)	57	62	62	67	72	57	62	62	67	72	57	62	62	67	72
65	T.C.	53.3	56.4	56.8	62.1	67.9	55.3	58.0	57.7	63.3	69.0	57.3	59.5	58.6	64.5	70.1
	S.C.	53.3	49.8	42.7	42.1	33.8	55.3	53.0	44.6	44.1	35.0	57.3	56.2	46.6	46.2	36.2
	KW	3.46	3.50	3.51	3.54	3.58	3.56	3.59	3.59	3.62	3.66	3.65	3.67	3.67	3.70	3.74
75	T.C.	51.4	53.8	54.1	59.2	64.7	53.2	55.1	54.9	60.3	65.8	55.0	56.3	55.8	61.3	66.8
	S.C.	51.4	48.6	41.4	40.8	32.4	53.2	51.5	43.3	42.8	33.6	55.0	54.4	45.3	44.8	34.8
	KW	3.85	3.88	3.89	3.92	3.97	3.95	3.97	3.97	4.00	4.05	4.04	4.05	4.05	4.09	4.13
85	T.C.	49.5	51.2	51.4	56.3	61.6	51.1	52.1	52.2	57.2	62.5	52.8	53.1	52.9	58.2	63.5
	S.C.	49.5	47.5	40.1	39.4	31.1	51.1	50.0	42.0	41.4	32.3	52.8	52.6	44.0	43.4	33.4
	KW	4.24	4.26	4.27	4.31	4.36	4.33	4.34	4.35	4.39	4.44	4.42	4.43	4.43	4.47	4.52
95	T.C.	47.6	48.6	48.7	53.4	58.4	49.1	49.2	49.4	54.2	59.3	50.5	49.8	50.1	55.0	60.1
	S.C.	47.6	46.3	38.7	38.1	29.8	49.1	48.6	40.7	40.1	30.9	50.5	49.8	42.7	42.1	32.0
	KW	4.63	4.64	4.64	4.69	4.75	4.72	4.72	4.72	4.77	4.83	4.81	4.80	4.81	4.85	4.91
105	T.C.	45.0	45.3	45.3	49.7	54.6	46.3	46.3	45.9	50.4	55.3	47.6	47.2	46.5	51.1	56.0
	S.C.	45.0	44.5	37.2	36.6	28.4	46.3	46.3	39.2	38.5	29.5	47.6	47.2	41.1	40.5	30.5
	KW	5.14	5.14	5.14	5.20	5.26	5.23	5.23	5.23	5.28	5.34	5.32	5.32	5.31	5.36	5.42
115	T.C.	42.4	41.9	41.9	45.9	50.9	43.5	43.3	42.4	46.6	51.4	44.7	44.6	42.9	47.3	51.9
	S.C.	42.4	41.9	35.6	35.0	27.0	43.5	43.3	37.6	37.0	28.0	44.7	44.6	39.6	38.9	29.0
	KW	5.65	5.64	5.65	5.70	5.77	5.74	5.74	5.73	5.79	5.85	5.83	5.83	5.81	5.87	5.94
125	T.C.	39.8	38.6	38.5	42.2	47.2	40.8	40.3	38.9	42.8	47.5	41.8	42.1	39.2	43.4	47.9
	S.C.	39.8	38.6	34.1	33.5	25.5	40.8	40.3	36.1	35.4	26.5	41.8	42.1	38.0	37.3	27.6
	KW	6.16	6.15	6.15	6.21	6.29	6.25	6.25	6.23	6.29	6.37	6.34	6.35	6.31	6.38	6.45

NOTE: ALL CAPACITIES INCLUDE INDOOR FAN HEAT. KW VALUES ARE FOR THE SYSTEM (OUTDOOR + INDOOR).

Blue shaded cells are AHRI conditions. Green shaded cells are ACCA (TVA) conditions.

Multipliers for determining the performance with other indoor sections.

NOTE: For dry bulb temperatures different than those listed (between 73-87 °F), sensible capacity increases by 1060 BTUH per 1000 CFM per degree above the listed temperature and decreases by 1060 BTUH per 1000 CFM per degree below the listed temperature.

Air Handlers	Coils	T.C.	S.C.	KW
-	FC/MC62	0.99	0.97	0.98
-	FC64	1.02	1.00	1.01
AHE60D	-	0.99	0.96	0.95
AHR60D	-	0.98	0.94	0.99
AHV60D	-	1.00	1.00	0.97
MV20D	FC/MC62D	0.99	0.94	0.96
MV20D	FC64D	1.02	0.97	0.98
MX20DN21	FC/MC62D	1.03	1.04	0.95
MX20DN21	FC64D	1.02	1.06	0.97

Furnaces	Coils	T.C.	S.C.	KW
T*(8,L)V*C20	FC/MC62D	1.00	1.00	0.98
T*(8,L)V*C20	FC64D	1.05	1.08	1.03
T*9V*C20	FC/MC62D	0.98	0.94	0.96
T*9V*C20	FC64D	1.02	0.95	0.99
T*9V*D20	FC/MC62D	0.98	0.92	0.95
T*9V*D20	FC64D	1.00	0.92	0.97
TM8X080C16MP11	FC/MC62D	1.01	1.02	0.98
TM8X080C16MP11	FC64D	1.01	1.00	1.00
TM8X100C16MP11	FC/MC62D	1.01	1.02	0.98
TM8X100C16MP11	FC64D	1.01	1.00	1.00
TM8X100C20MP11	FC/MC62D	1.02	1.02	0.97
TM8X100C20MP11	FC64D	1.02	1.01	0.99
TM8X120C20MP11	FC/MC62D	1.02	1.02	0.97
TM8X120C20MP11	FC64D	1.02	1.01	0.99

Furnaces	Coils	T.C.	S.C.	KW
TM9E100C20MP11	FC/MC62D	1.01	1.02	0.98
TM9E100C20MP11	FC64D	1.01	1.00	1.00
TM9E120D20MP11	FC/MC62D	1.02	1.02	0.98
TM9E120D20MP11	FC64D	1.00	1.00	0.99
TM9X100C20MP11	FC/MC62D	1.01	1.02	0.98
TM9X100C20MP11	FC64D	1.01	1.00	1.00
TM9X120D20MP11	FC/MC62D	1.02	1.02	0.98
TM9X120D20MP11	FC64D	1.00	1.00	0.99
TMLX080C16MP11	FC/MC62D	1.01	1.02	0.98
TMLX080C16MP11	FC64D	1.01	1.00	1.00
TMLX100C16MP11	FC/MC62D	1.01	1.02	0.98
TMLX100C16MP11	FC64D	1.01	1.00	1.00
TMLX100C20MP11	FC/MC62D	1.02	1.02	0.97
TMLX100C20MP11	FC64D	1.02	1.01	0.99
TMLX120C20MP11	FC/MC62D	1.02	1.02	0.97
TMLX120C20MP11	FC64D	1.02	1.01	0.99
Y*(8,L)C*C20	FC/MC62D	1.00	1.00	0.99
Y*(8,L)C*C20	FC64D	1.02	0.97	0.99
Y*9C*C20	FC/MC62D	0.97	0.91	0.95
Y*9C*C20	FC64D	1.02	0.95	0.99
Y*9C*D20	FC/MC62D	0.98	0.94	0.95
Y*9C*D20	FC64D	1.03	1.01	1.00

HEATING PERFORMANCE DATA										
CONDENSING UNIT MODEL NO		YHJD18S41S2								
AIR TEMP. ENTERING OUTDOOR UNIT (°F)	AIR TEMP. ENTERING INDOOR COIL	ID CFM								
		450			600			750		
		MBH	COP	KW	MBH	COP	KW	MBH	COP	KW
60	60	21.1	4.1	1.50	22.2	4.5	1.44	23.3	4.9	1.39
	70	20.5	3.6	1.65	21.6	4.0	1.59	22.6	4.3	1.53
	80	19.9	3.2	1.81	20.9	3.5	1.74	21.9	3.9	1.66
47	60	18.6	3.8	1.45	19.2	4.0	1.41	19.8	4.2	1.38
	70	17.7	3.3	1.60	18.4	3.5	1.55	19.1	3.7	1.51
	80	16.8	2.8	1.74	17.6	3.1	1.69	18.4	3.3	1.64
40	60	16.7	3.4	1.43	17.3	3.6	1.40	17.9	3.8	1.37
	70	16.1	3.0	1.57	16.8	3.2	1.53	17.4	3.4	1.50
	80	15.6	2.7	1.70	16.3	2.9	1.66	17.0	3.1	1.62
30	60	14.6	3.1	1.39	15.1	3.2	1.37	15.5	3.4	1.36
	70	14.2	2.7	1.52	14.6	2.9	1.50	15.0	3.0	1.48
	80	13.7	2.4	1.66	14.1	2.5	1.63	14.4	2.6	1.61
17	60	11.7	2.6	1.34	12.0	2.6	1.34	12.3	2.7	1.34
	70	11.2	2.2	1.48	11.6	2.3	1.47	11.9	2.4	1.46
	80	10.8	2.0	1.62	11.1	2.0	1.60	11.5	2.1	1.58
10	60	10.1	2.3	1.31	10.3	2.3	1.31	10.4	2.3	1.32
	70	9.6	1.9	1.45	9.9	2.0	1.44	10.2	2.1	1.44
	80	9.1	1.7	1.59	9.5	1.8	1.58	9.9	1.9	1.57

NOTE: ALL CAPACITIES ARE NET, WITH INDOOR FAN HEAT ALREADY DEDUCTED. KW VALUES ARE FOR THE SYSTEM (OUTDOOR + INDOOR).

Yellow shaded cells are AHRI High Heating conditions. **Orange** shaded cells are AHRI Low Heating conditions.

Multipliers for determining the performance with other indoor sections.

Air Handler	Coil	MBH	COP	KW
–	FC/MC/PC18	1.05	0.94	1.13
–	FC/MC/PC24	1.06	0.98	1.08
–	FC/MC/PC30	1.06	0.98	1.08
–	UC24	1.05	0.98	1.08
–	UC30	1.05	0.98	1.08
AHE18B	–	1.03	1.01	1.02
AHR18B	–	1.05	0.97	1.09
AHV18B	–	1.03	1.00	1.03

Air Handler	Coil	MBH	COP	KW
MV12B	FC/MC/PC18B	1.03	1.01	1.02
MV12B	FC/MC24B	1.04	1.03	1.00
MV12B	FC/MC30B	1.04	1.03	1.00
MX12BN21	FC/MC18B	1.03	1.00	1.02
MX12BN21	FC/MC24B	1.04	1.05	0.98
MX12BN21	FC/MC30B	1.04	1.04	0.99

Furnace	Coil	MBH	COP	KW
T*(8,L)V*A12	FC/MC/PC18A	1.03	0.99	1.04
T*(8,L)V*A12	FC/MC/PC24A	1.04	1.06	0.98
T*(8,L)V*A12	FC/MC/PC30A	1.04	1.06	0.98
T*(8,L)V*A12	UC18A	1.04	1.02	1.02
T*(8,L)V*A12	UC24A	1.04	1.06	0.98
T*(8,L)V*A12	UC30A	1.04	1.06	0.98
T*(8,L)V*B12	FC/MC/PC18B	1.03	0.99	1.04
T*(8,L)V*B12	FC/MC/PC24B	1.03	1.04	0.99
T*(8,L)V*B12	FC/MC/PC30B	1.03	1.04	0.99
T*(8,L)V*B12	UC18B	1.04	1.02	1.01
T*(8,L)V*B12	UC24B	1.03	1.06	0.97
T*(8,L)V*B12	UC30B	1.03	1.06	0.97
T*9(C,V)*B12	FC/MC/PC18B	1.03	1.01	1.02
T*9(C,V)*B12	FC/MC/PC24B	1.03	1.05	0.99
T*9(C,V)*B12	FC/MC/PC30B	1.03	1.05	0.99
T*9(C,V)*B12	UC18B	1.04	1.02	1.01
T*9(C,V)*B12	UC24B	1.03	1.05	0.99
T*9(C,V)*B12	UC30B	1.03	1.05	0.99
T*9V*A10	FC/MC/PC18A	1.03	0.98	1.05
T*9V*A10	FC/MC/PC24A	1.04	1.03	1.01
T*9V*A10	FC/MC/PC30A	1.04	1.03	1.01
TM8X060A12MP11	FC/MC/PC18A	1.03	0.98	1.04
TM8X060A12MP11	FC/MC/PC24A	1.04	1.04	0.99
TM8X060A12MP11	FC/MC/PC30A	1.04	1.04	0.99
TM8X060A12MP11	UC18A	1.03	1.00	1.02
TM8X060A12MP11	UC24A	1.03	1.03	0.99
TM8X060A12MP11	UC30A	1.03	1.03	0.99
TM8X080B12MP11	FC/MC/PC18B	1.03	0.98	1.04
TM8X080B12MP11	FC/MC/PC24B	1.04	1.03	1.00
TM8X080B12MP11	FC/MC/PC30B	1.04	1.03	1.00
TM8X080B12MP11	UC18B	1.03	1.00	1.02
TM8X080B12MP11	UC24B	1.03	1.02	0.99
TM8X080B12MP11	UC30B	1.03	1.02	0.99
TM9E040A10MP11	FC/MC/PC18A	1.05	0.95	1.09
TM9E040A10MP11	FC/MC/PC24A	1.06	0.99	1.06
TM9E040A10MP11	FC/MC/PC30A	1.06	0.99	1.06
TM9E040A10MP11	UC18A	1.04	0.96	1.07
TM9E040A10MP11	UC24A	1.04	0.98	1.04
TM9E040A10MP11	UC30A	1.04	0.98	1.04
TM9E060B12MP11	FC/MC/PC18B	1.04	0.98	1.05
TM9E060B12MP11	FC/MC/PC24B	1.04	1.02	1.00
TM9E060B12MP11	FC/MC/PC30B	1.04	1.02	1.00
TM9E060B12MP11	UC18B	1.03	0.99	1.03
TM9E060B12MP11	UC24B	1.03	1.02	1.00
TM9E060B12MP11	UC30B	1.03	1.02	1.00
TM9E080B12MP11	FC/MC/PC18B	1.04	0.98	1.05
TM9E080B12MP11	FC/MC/PC24B	1.04	1.02	1.00
TM9E080B12MP11	FC/MC/PC30B	1.04	1.02	1.00
TM9E080B12MP11	UC18B	1.03	0.99	1.03
TM9E080B12MP11	UC24B	1.03	1.02	1.00
TM9E080B12MP11	UC30B	1.03	1.02	1.00

Furnace	Coil	MBH	COP	KW
TM9X040A10MP11	FC/MC/PC18A	1.05	0.95	1.09
TM9X040A10MP11	FC/MC/PC24A	1.06	0.99	1.06
TM9X040A10MP11	FC/MC/PC30A	1.06	0.99	1.06
TM9X040A10MP11	UC18A	1.04	0.96	1.07
TM9X040A10MP11	UC24A	1.04	0.98	1.04
TM9X040A10MP11	UC30A	1.04	0.98	1.04
TM9X060B12MP11	FC/MC/PC18B	1.04	0.98	1.05
TM9X060B12MP11	FC/MC/PC24B	1.04	1.02	1.00
TM9X060B12MP11	FC/MC/PC30B	1.04	1.02	1.00
TM9X060B12MP11	UC18B	1.03	0.99	1.03
TM9X060B12MP11	UC24B	1.03	1.02	1.00
TM9X060B12MP11	UC30B	1.03	1.02	1.00
TM9X080B12MP11	FC/MC/PC18B	1.04	0.98	1.05
TM9X080B12MP11	FC/MC/PC24B	1.04	1.02	1.00
TM9X080B12MP11	FC/MC/PC30B	1.04	1.02	1.00
TM9X080B12MP11	UC18B	1.03	0.99	1.03
TM9X080B12MP11	UC24B	1.03	1.02	1.00
TM9X080B12MP11	UC30B	1.03	1.02	1.00
TMLX060A12MP11	FC/MC/PC18A	1.03	0.98	1.04
TMLX060A12MP11	FC/MC/PC24A	1.04	1.04	0.99
TMLX060A12MP11	FC/MC/PC30A	1.04	1.04	0.99
TMLX060A12MP11	UC18A	1.03	1.00	1.02
TMLX060A12MP11	UC24A	1.03	1.03	0.99
TMLX060A12MP11	UC30A	1.03	1.03	0.99
TMLX080B12MP11	FC/MC/PC18B	1.03	0.98	1.04
TMLX080B12MP11	FC/MC/PC24B	1.04	1.03	1.00
TMLX080B12MP11	FC/MC/PC30B	1.04	1.03	1.00
TMLX080B12MP11	UC18B	1.03	1.00	1.02
TMLX080B12MP11	UC24B	1.03	1.02	0.99
TMLX080B12MP11	UC24B	1.03	1.02	0.99
TMLX080B12MP11	UC30B	1.03	1.02	0.99
Y*(8,L)C*A12	FC/MC/PC18A	1.03	0.99	1.04
Y*(8,L)C*A12	FC/MC/PC24A	1.04	1.06	0.98
Y*(8,L)C*A12	FC/MC/PC30A	1.04	1.06	0.98
Y*(8,L)C*A12	UC18A	1.04	1.02	1.02
Y*(8,L)C*A12	UC24A	1.04	1.06	0.98
Y*(8,L)C*A12	UC30A	1.04	1.06	0.98
Y*(8,L)C*B12	FC/MC/PC18B	1.03	0.99	1.04
Y*(8,L)C*B12	FC/MC/PC24B	1.03	1.04	0.99
Y*(8,L)C*B12	FC/MC/PC30B	1.03	1.04	0.99
Y*(8,L)C*B12	UC18B	1.04	1.02	1.01
Y*(8,L)C*B12	UC24B	1.03	1.06	0.97
Y*(8,L)C*B12	UC30B	1.03	1.06	0.97
Y*9C*B12	FC/MC/PC18B	1.03	1.01	1.02
Y*9C*B12	FC/MC/PC24B	1.03	1.05	0.99
Y*9C*B12	FC/MC/PC30B	1.03	1.05	0.99
Y*9C*B12	UC18B	1.04	1.02	1.01
Y*9C*B12	UC24B	1.03	1.05	0.99
Y*9C*B12	UC30B	1.03	1.05	0.99

HEATING PERFORMANCE DATA										
CONDENSING UNIT MODEL NO		YHJD24S41S5								
AIR TEMP. ENTERING OUTDOOR UNIT (°F)	AIR TEMP. ENTERING INDOOR COIL	ID CFM								
		600			800			1000		
		MBH	COP	KW	MBH	COP	KW	MBH	COP	KW
60	60	28.9	4.0	2.12	29.9	4.3	2.05	30.9	4.5	1.99
	70	27.4	3.5	2.30	28.5	3.7	2.23	29.6	4.0	2.16
	80	25.8	3.0	2.48	27.1	3.3	2.40	28.4	3.6	2.33
47	60	24.0	3.7	1.92	24.9	3.8	1.90	25.9	4.1	1.87
	70	22.6	3.2	2.09	23.5	3.3	2.06	24.5	3.6	2.02
	80	21.1	2.7	2.26	22.1	2.9	2.22	23.1	3.1	2.18
40	60	21.4	3.4	1.83	22.4	3.6	1.82	23.4	3.8	1.81
	70	20.2	3.0	2.00	21.1	3.1	1.98	22.1	3.3	1.96
	80	19.0	2.6	2.17	19.9	2.7	2.14	20.8	2.9	2.11
30	60	17.8	3.0	1.73	18.4	3.1	1.73	19.1	3.2	1.74
	70	16.6	2.6	1.88	17.2	2.7	1.88	17.8	2.8	1.88
	80	15.5	2.2	2.03	16.0	2.3	2.02	16.6	2.4	2.02
17	60	14.0	2.5	1.64	14.6	2.6	1.66	15.1	2.6	1.68
	70	13.2	2.2	1.80	13.7	2.2	1.81	14.2	2.3	1.82
	80	12.4	1.9	1.96	12.9	1.9	1.97	13.3	2.0	1.97
10	60	13.4	2.4	1.61	13.7	2.5	1.64	14.1	2.5	1.66
	70	12.2	2.0	1.76	12.6	2.1	1.78	13.0	2.1	1.81
	80	10.9	1.7	1.91	11.4	1.7	1.93	11.9	1.8	1.95

NOTE: ALL CAPACITIES ARE NET, WITH INDOOR FAN HEAT ALREADY DEDUCTED. KW VALUES ARE FOR THE SYSTEM (OUTDOOR + INDOOR).

Yellow shaded cells are AHRI High Heating conditions. **Orange** shaded cells are AHRI Low Heating conditions.

Multipliers for determining the performance with other indoor sections.

Air Handler	Coil	MBH	COP	KW
–	FC/MC/PC24	1.01	1.02	0.97
–	FC/MC/PC30	1.01	1.02	0.97
–	FC/MC/PC32	1.03	1.05	0.97
–	FC/MC/PC35	1.03	1.05	0.97
–	UC24	1.02	1.03	0.98
–	UC30	1.02	1.03	0.98
AHE22B	–	0.94	1.02	0.90
AHE24B	–	1.01	1.11	0.89
AHE30B	–	1.01	1.11	0.89
AHR22B	–	1.01	1.02	0.97
AHR24B	–	1.03	1.07	0.94

Air Handler	Coil	MBH	COP	KW
AHV24B	–	1.02	1.10	0.91
AHV30B	–	1.01	1.12	0.89
MV12B	FC/MC24B	0.93	1.03	0.89
MV12B	FC/MC24B	0.93	1.03	0.89
MV12B	FC/MC35B	1.01	1.11	0.89
MX12BN21	FC/MC24B	0.94	1.04	0.89
MX12BN21	FC/MC24B	0.94	1.04	0.89
MX12BN21	FC/MC35B	1.01	1.11	0.89
MX16CN21	FC/MC35C	1.01	1.10	0.91

Furnace	Coil	MBH	COP	KW
T*(8,L)V*A12	FC/MC/PC24A	0.94	1.05	0.89
T*(8,L)V*A12	FC/MC/PC24A	0.94	1.05	0.89
T*(8,L)V*A12	FC/MC/PC32A	1.01	1.10	0.90
T*(8,L)V*A12	UC24A	0.95	1.04	0.89
T*(8,L)V*A12	UC24A	0.95	1.04	0.89
T*(8,L)V*B12	FC/MC/PC24B	0.95	1.04	0.90
T*(8,L)V*B12	FC/MC/PC24B	0.95	1.04	0.90
T*(8,L)V*B12	FC/MC/PC35B	1.01	1.12	0.89
T*(8,L)V*B12	UC24B	0.94	1.05	0.88
T*(8,L)V*B12	UC24B	0.94	1.05	0.88
T*(8,L)V*C16	FC/MC/PC35C	1.01	1.13	0.88
T*(8,L)V*C20	FC/MC/PC35C	1.01	1.12	0.88
T*9V*A10	FC/MC/PC24A	0.95	1.01	0.92
T*9V*A10	FC/MC/PC24A	0.95	1.01	0.92
T*9V*A10	FC/MC/PC32A	1.02	1.09	0.92
T*9V*B12	FC/MC/PC24B	0.94	1.03	0.89
T*9V*B12	FC/MC/PC24B	0.94	1.03	0.89
T*9V*B12	FC/MC/PC35B	1.00	1.10	0.90
T*9V*B12	UC24B	0.95	1.05	0.89
T*9V*B12	UC24B	0.95	1.05	0.89
T*9V*C16	FC/MC/PC35C	0.99	1.11	0.88
T*9V*C20	FC/MC/PC35C	1.01	1.12	0.89
TM8X060A12MP11	FC/MC/PC24A	0.95	1.03	0.90
TM8X060A12MP11	FC/MC/PC24A	0.95	1.03	0.90
TM8X060A12MP11	FC/MC/PC32A	1.01	1.10	0.90
TM8X060A12MP11	UC24A	0.95	1.05	0.89
TM8X060A12MP11	UC24A	0.95	1.05	0.89
TM8X080B12MP11	FC/MC/PC24B	0.94	1.04	0.89
TM8X080B12MP11	FC/MC/PC24B	0.94	1.04	0.89
TM8X080B12MP11	FC/MC/PC35B	1.02	1.11	0.90
TM8X080B12MP11	UC24B	0.95	1.06	0.89
TM8X080B12MP11	UC24B	0.95	1.06	0.89
TM8X080C16MP11	FC/MC/PC35C	1.01	1.08	0.92
TM8X100C16MP11	FC/MC/PC35C	1.01	1.08	0.92
TM8X100C20MP11	FC/MC/PC35C	1.02	1.08	0.93
TM8X120C20MP11	FC/MC/PC35C	1.02	1.08	0.93
TM9E040A10MP11	FC/MC/PC24A	0.95	0.99	0.95
TM9E040A10MP11	FC/MC/PC24A	0.95	0.99	0.95
TM9E040A10MP11	FC/MC/PC32A	1.03	1.07	0.94
TM9E040A10MP11	UC24A	0.96	1.00	0.95
TM9E040A10MP11	UC24A	0.96	1.00	0.95
TM9E060B12MP11	FC/MC/PC24B	0.95	1.01	0.92
TM9E060B12MP11	FC/MC/PC24B	0.95	1.01	0.92
TM9E060B12MP11	FC/MC/PC35B	1.01	1.08	0.92
TM9E060B12MP11	UC24B	0.95	1.02	0.92
TM9E060B12MP11	UC24B	0.95	1.02	0.92
TM9E080B12MP11	FC/MC/PC24B	0.95	1.01	0.92
TM9E080B12MP11	FC/MC/PC24B	0.95	1.01	0.92
TM9E080B12MP11	FC/MC/PC35B	1.01	1.08	0.92
TM9E080B12MP11	UC24B	0.95	1.02	0.92
TM9E080B12MP11	UC24B	0.95	1.02	0.92
TM9E080C16MP11	FC/MC/PC35C	1.02	1.07	0.94
TM9E100C16MP11	FC/MC/PC35C	1.02	1.07	0.94

Furnace	Coil	MBH	COP	KW
TM9E100C20MP11	FC/MC/PC35C	1.01	1.10	0.91
TM9X040A10MP11	FC/MC/PC24A	0.95	0.99	0.95
TM9X040A10MP11	FC/MC/PC24A	0.95	0.99	0.95
TM9X040A10MP11	FC/MC/PC32A	1.03	1.07	0.94
TM9X040A10MP11	UC24A	0.96	1.00	0.95
TM9X040A10MP11	UC24A	0.96	1.00	0.95
TM9X060B12MP11	FC/MC/PC24B	0.95	1.01	0.92
TM9X060B12MP11	FC/MC/PC24B	0.95	1.01	0.92
TM9X060B12MP11	FC/MC/PC35B	1.01	1.08	0.92
TM9X060B12MP11	UC24B	0.95	1.02	0.92
TM9X060B12MP11	UC24B	0.95	1.02	0.92
TM9X080B12MP11	FC/MC/PC24B	0.95	1.01	0.92
TM9X080B12MP11	FC/MC/PC24B	0.95	1.01	0.92
TM9X080B12MP11	FC/MC/PC35B	1.01	1.08	0.92
TM9X080B12MP11	UC24B	0.95	1.02	0.92
TM9X080B12MP11	UC24B	0.95	1.02	0.92
TM9X080C16MP11	FC/MC/PC35C	1.02	1.07	0.94
TM9X100C16MP11	FC/MC/PC35C	1.02	1.07	0.94
TM9X100C20MP11	FC/MC/PC35C	1.01	1.10	0.91
TMLX060A12MP11	FC/MC/PC24A	0.95	1.03	0.90
TMLX060A12MP11	FC/MC/PC24A	0.95	1.03	0.90
TMLX060A12MP11	FC/MC/PC32A	1.01	1.10	0.90
TMLX060A12MP11	UC24A	0.95	1.05	0.89
TMLX060A12MP11	UC24A	0.95	1.05	0.89
TMLX080B12MP11	FC/MC/PC24B	0.94	1.04	0.89
TMLX080B12MP11	FC/MC/PC24B	0.94	1.04	0.89
TMLX080B12MP11	FC/MC/PC35B	1.02	1.11	0.90
TMLX080B12MP11	UC24B	0.95	1.06	0.89
TMLX080B12MP11	UC24B	0.95	1.06	0.89
TMLX080C16MP11	FC/MC/PC35C	1.01	1.08	0.92
TMLX100C16MP11	FC/MC/PC35C	1.01	1.08	0.92
TMLX100C20MP11	FC/MC/PC35C	1.02	1.08	0.93
TMLX120C20MP11	FC/MC/PC35C	1.02	1.08	0.93
Y*(8,L)C*A12	FC/MC/PC24A	0.94	1.05	0.89
Y*(8,L)C*A12	FC/MC/PC24A	0.94	1.05	0.89
Y*(8,L)C*A12	FC/MC/PC32A	1.01	1.10	0.90
Y*(8,L)C*A12	UC24A	0.95	1.04	0.89
Y*(8,L)C*A12	UC24A	0.95	1.04	0.89
Y*(8,L)C*B12	FC/MC/PC24B	0.95	1.04	0.90
Y*(8,L)C*B12	FC/MC/PC24B	0.95	1.04	0.90
Y*(8,L)C*B12	FC/MC/PC35B	1.01	1.12	0.89
Y*(8,L)C*B12	UC24B	0.94	1.05	0.88
Y*(8,L)C*B12	UC24B	0.94	1.05	0.88
Y*(8,L)C*C16	FC/MC/PC35C	1.01	1.13	0.88
Y*(8,L)C*C20	FC/MC/PC35C	1.01	1.12	0.88
Y*9C*B12	FC/MC/PC24B	0.94	1.03	0.89
Y*9C*B12	FC/MC/PC24B	0.94	1.03	0.89
Y*9C*B12	FC/MC/PC35B	1.00	1.10	0.90
Y*9C*B12	UC24B	0.95	1.05	0.89
Y*9C*B12	UC24B	0.95	1.05	0.89
Y*9C*C16	FC/MC/PC35C	0.99	1.11	0.88
Y*9C*C20	FC/MC/PC35C	1.01	1.12	0.89

HEATING PERFORMANCE DATA										
CONDENSING UNIT MODEL NO		YHJD30S41S5								
AIR TEMP. ENTERING OUTDOOR UNIT (°F)	AIR TEMP. ENTERING INDOOR COIL	ID CFM								
		800			1000			1200		
		MBH	COP	KW	MBH	COP	KW	MBH	COP	KW
60	60	33.6	4.0	2.49	33.9	4.0	2.47	34.3	4.1	2.45
	70	32.3	3.7	2.59	32.9	3.7	2.59	33.5	3.8	2.58
	80	30.9	3.4	2.70	31.8	3.5	2.70	32.7	3.5	2.72
47	60	29.1	3.7	2.29	29.8	3.8	2.31	30.5	3.8	2.33
	70	27.6	3.5	2.33	28.5	3.5	2.38	29.3	3.5	2.43
	80	26.0	3.2	2.38	27.1	3.2	2.46	28.2	3.3	2.53
40	60	26.6	3.5	2.20	27.4	3.6	2.23	28.1	3.7	2.25
	70	24.8	3.2	2.29	25.8	3.3	2.31	26.8	3.4	2.35
	80	23.0	2.9	2.37	24.3	3.0	2.40	25.5	3.1	2.44
30	60	22.2	3.1	2.08	23.3	3.2	2.12	24.5	3.3	2.16
	70	20.3	2.8	2.14	21.2	2.8	2.19	22.2	2.9	2.24
	80	18.4	2.5	2.20	19.1	2.5	2.25	19.8	2.5	2.32
17	60	16.5	2.5	1.95	17.4	2.4	2.09	18.2	2.4	2.23
	70	14.4	2.2	1.96	15.1	2.2	2.06	15.9	2.2	2.16
	80	12.2	1.8	1.95	12.9	1.9	2.03	13.5	1.9	2.09
10	60	12.5	2.0	1.81	13.1	2.0	1.87	13.6	2.1	1.95
	70	11.0	1.7	1.84	11.5	1.8	1.91	12.1	1.8	1.97
	80	9.4	1.5	1.88	10.0	1.5	1.94	10.6	1.6	2.00

NOTE: ALL CAPACITIES ARE NET, WITH INDOOR FAN HEAT ALREADY DEDUCTED. KW VALUES ARE FOR THE SYSTEM (OUTDOOR + INDOOR).

Yellow shaded cells are AHRI High Heating conditions. **Orange** shaded cells are AHRI Low Heating conditions.

Multipliers for determining the performance with other indoor sections.

Air Handler	Coil	MBH	COP	KW
–	FC/MC/PC30	1.03	1.04	0.99
–	FC/MC/PC32+TXV*	1.03	1.04	0.99
–	FC/MC/PC35+TXV*	1.06	1.04	1.01
–	FC/MC/PC36+TXV*	1.01	1.01	1.01
AHE30B	–	1.01	1.08	0.93
AHR29C	–	1.03	1.00	1.02
AHR30B	–	1.05	1.06	0.99
AHV30B	–	1.01	1.06	0.95
MV12B	FC/MC30B	1.01	1.09	0.93
MV12B	FC/MC35B	1.01	1.10	0.91
MV12B	FC/MC36B	1.01	1.06	0.94

Air Handler	Coil	MBH	COP	KW
MV16C	FC/MC35C	0.92	1.07	0.86
MV16C	FC/MC36C	1.01	1.07	0.94
MX12BN21	FC/MC30B	1.01	1.08	0.93
MX12BN21	FC/MC35B	1.02	1.09	0.93
MX12BN21	FC/MC36B	1.01	1.06	0.95
MX16CN21	FC/MC35C	1.01	1.09	0.93
MX16CN21	FC/MC36C	1.09	1.13	0.96

* Designated match-ups require a TXV. Other matches on this page can use a TXV or orifice.

Furnace	Coil	MBH	COP	KW
T*(8,L)V*A12	FC/MC/PC30A	1.02	1.08	0.95
T*(8,L)V*A12	FC/MC/PC36A	1.01	1.06	0.95
T*(8,L)V*B12	FC/MC/PC30B	1.01	1.08	0.93
T*(8,L)V*B12	FC/MC/PC35B	1.01	1.07	0.94
T*(8,L)V*B12	FC/MC/PC36B	1.02	1.05	0.97
T*(8,L)V*C16	FC/MC/PC35C	1.01	1.09	0.92
T*(8,L)V*C16	FC/MC/PC36C	1.01	1.06	0.94
T*(8,L)V*C20	FC/MC/PC35C	1.01	1.08	0.93
T*(8,L)V*C20	FC/MC/PC36C	1.02	1.04	0.98
T*9V*B12	FC/MC/PC30B	0.93	1.03	0.90
T*9V*B12	FC/MC/PC36B	1.02	1.06	0.96
T*9V*C16	FC/MC/PC35C	1.01	1.09	0.93
T*9V*C16	FC/MC/PC36C	1.01	1.07	0.94
T*9V*C20	FC/MC/PC35C	1.02	1.09	0.93
T*9V*C20	FC/MC/PC36C	1.00	1.06	0.94
TM8X060A12MP11	FC/MC/PC30A	1.01	1.07	0.94
TM8X060A12MP11	FC/MC/PC36A	1.02	1.06	0.96
TM8X080B12MP11	FC/MC/PC30B	1.02	1.08	0.94
TM8X080B12MP11	FC/MC/PC35B	1.01	1.07	0.94
TM8X080B12MP11	FC/MC/PC36B	1.02	1.06	0.96
TM8X080C16MP11	FC/MC/PC35C	1.01	1.10	0.92
TM8X080C16MP11	FC/MC/PC36C	1.01	1.08	0.94
TM8X100C16MP11	FC/MC/PC35C	1.01	1.10	0.92
TM8X100C16MP11	FC/MC/PC36C	1.01	1.08	0.94
TM8X100C20MP11	FC/MC/PC35C	1.01	1.09	0.92
TM8X100C20MP11	FC/MC/PC36C	1.01	1.06	0.94
TM8X120C20MP11	FC/MC/PC35C	1.01	1.09	0.92
TM8X120C20MP11	FC/MC/PC36C	1.01	1.06	0.94
TM9E040A10MP11	FC/MC/PC30A	1.03	1.04	0.99
TM9E060B12MP11	FC/MC/PC30B	1.01	1.06	0.95
TM9E060B12MP11	FC/MC/PC35B	1.01	1.06	0.95
TM9E060B12MP11	FC/MC/PC36B	1.02	1.05	0.96
TM9E080B12MP11	FC/MC/PC30B	1.01	1.06	0.95
TM9E080B12MP11	FC/MC/PC35B	1.01	1.06	0.95
TM9E080B12MP11	FC/MC/PC36B	1.02	1.05	0.96
TM9E080C16MP11	FC/MC/PC35C	1.01	1.09	0.92
TM9E080C16MP11	FC/MC/PC36C	1.01	1.06	0.94
TM9E100C16MP11	FC/MC/PC35C	1.01	1.09	0.92
TM9E100C16MP11	FC/MC/PC36C	1.01	1.06	0.94
TM9X040A10MP11	FC/MC/PC30A	1.03	1.04	0.99

Furnace	Coil	MBH	COP	KW
TM9X060B12MP11	FC/MC/PC30B	1.01	1.06	0.95
TM9X060B12MP11	FC/MC/PC35B	1.01	1.06	0.95
TM9X060B12MP11	FC/MC/PC36B	1.02	1.05	0.96
TM9X080B12MP11	FC/MC/PC30B	1.01	1.06	0.95
TM9X080B12MP11	FC/MC/PC35B	1.01	1.06	0.95
TM9X080B12MP11	FC/MC/PC36B	1.02	1.05	0.96
TM9X080C16MP11	FC/MC/PC35C	1.01	1.09	0.92
TM9X080C16MP11	FC/MC/PC36C	1.01	1.06	0.94
TM9X100C16MP11	FC/MC/PC35C	1.01	1.09	0.92
TM9X100C16MP11	FC/MC/PC36C	1.01	1.06	0.94
TMLX060A12MP11	FC/MC/PC30A	1.01	1.07	0.94
TMLX060A12MP11	FC/MC/PC36A	1.02	1.06	0.96
TMLX080B12MP11	FC/MC/PC30B	1.02	1.08	0.94
TMLX080B12MP11	FC/MC/PC35B	1.01	1.07	0.94
TMLX080B12MP11	FC/MC/PC36B	1.02	1.06	0.96
TMLX080C16MP11	FC/MC/PC35C	1.01	1.10	0.92
TMLX080C16MP11	FC/MC/PC36C	1.01	1.08	0.94
TMLX100C16MP11	FC/MC/PC35C	1.01	1.10	0.92
TMLX100C16MP11	FC/MC/PC36C	1.01	1.08	0.94
TMLX100C20MP11	FC/MC/PC35C	1.01	1.09	0.92
TMLX100C20MP11	FC/MC/PC36C	1.01	1.06	0.94
TMLX120C20MP11	FC/MC/PC35C	1.01	1.09	0.92
TMLX120C20MP11	FC/MC/PC36C	1.01	1.06	0.94
Y*(8,L)C*A12	FC/MC/PC30A	1.02	1.08	0.95
Y*(8,L)C*A12	FC/MC/PC36A	1.01	1.06	0.95
Y*(8,L)C*B12	FC/MC/PC30B	1.01	1.08	0.93
Y*(8,L)C*B12	FC/MC/PC35B	1.01	1.07	0.94
Y*(8,L)C*B12	FC/MC/PC36B	1.02	1.05	0.97
Y*(8,L)C*C16	FC/MC/PC35C	1.01	1.09	0.92
Y*(8,L)C*C16	FC/MC/PC36C	1.01	1.06	0.94
Y*(8,L)C*C20	FC/MC/PC35C	1.01	1.08	0.93
Y*(8,L)C*C20	FC/MC/PC36C	1.02	1.04	0.98
Y*9C*B12	FC/MC/PC30B	0.93	1.03	0.90
Y*9C*B12	FC/MC/PC36B	1.02	1.06	0.96
Y*9C*C16	FC/MC/PC35C	1.01	1.09	0.93
Y*9C*C16	FC/MC/PC36C	1.01	1.07	0.94
Y*9C*C20	FC/MC/PC35C	1.02	1.09	0.93
Y*9C*C20	FC/MC/PC36C	1.00	1.06	0.94

HEATING PERFORMANCE DATA										
CONDENSING UNIT MODEL NO		YHJD34S41S1								
AIR TEMP. ENTERING OUTDOOR UNIT (°F)	AIR TEMP. ENTERING INDOOR COIL	ID CFM								
		1000			1200			1400		
		MBH	COP	KW	MBH	COP	KW	MBH	COP	KW
60	60	43.8	4.3	2.97	44.9	4.5	2.94	46.1	4.7	2.90
	70	41.7	3.8	3.23	42.9	4.0	3.18	44.1	4.1	3.14
	80	39.7	3.3	3.49	40.9	3.5	3.43	42.2	3.7	3.37
47	60	36.4	4.0	2.66	37.2	4.1	2.65	38.1	4.2	2.64
	70	34.6	3.5	2.89	35.5	3.6	2.88	36.4	3.7	2.86
	80	32.8	3.1	3.12	33.8	3.2	3.10	34.7	3.3	3.08
40	60	31.8	3.7	2.52	33.0	3.8	2.54	34.1	3.9	2.55
	70	30.2	3.2	2.75	31.4	3.3	2.75	32.6	3.5	2.76
	80	28.7	2.8	2.98	29.8	2.9	2.97	31.0	3.1	2.96
30	60	27.6	3.4	2.37	28.3	3.5	2.39	29.0	3.5	2.41
	70	26.1	3.0	2.58	26.8	3.0	2.59	27.4	3.1	2.61
	80	24.6	2.6	2.79	25.3	2.7	2.79	25.9	2.7	2.80
17	60	22.5	2.9	2.24	23.0	3.0	2.27	23.5	3.0	2.30
	70	20.6	2.5	2.45	21.3	2.5	2.47	22.0	2.6	2.50
	80	18.8	2.1	2.65	19.6	2.1	2.68	20.4	2.2	2.70
10	60	13.1	1.8	2.18	16.9	2.2	2.23	20.8	2.7	2.27
	70	15.2	1.9	2.40	17.4	2.1	2.44	19.5	2.3	2.47
	80	17.3	1.9	2.63	17.8	2.0	2.65	18.3	2.0	2.67

NOTE: ALL CAPACITIES ARE NET, WITH INDOOR FAN HEAT ALREADY DEDUCTED. KW VALUES ARE FOR THE SYSTEM (OUTDOOR + INDOOR).

Yellow shaded cells are AHRI High Heating conditions. **Orange** shaded cells are AHRI Low Heating conditions.

Multipliers for determining the performance with other indoor sections.

Air Handler	Coil	MBH	COP	KW
AHR34C	—	0.97	0.97	1.00

HEATING PERFORMANCE DATA										
CONDENSING UNIT MODEL NO		YHJD36S41S4								
AIR TEMP. ENTERING OUTDOOR UNIT (°F)	AIR TEMP. ENTERING INDOOR COIL	ID CFM								
		1000			1200			1400		
		MBH	COP	KW	MBH	COP	KW	MBH	COP	KW
60	60	38.0	3.7	3.01	37.2	3.6	3.00	36.4	3.6	2.98
	70	37.5	3.5	3.18	36.9	3.4	3.17	36.4	3.4	3.15
	80	37.0	3.2	3.34	36.7	3.2	3.33	36.4	3.2	3.32
47	60	34.7	3.5	2.87	34.0	3.5	2.87	33.3	3.4	2.86
	70	34.1	3.3	3.01	33.7	3.3	2.99	33.3	3.3	3.00
	80	33.6	3.1	3.14	33.5	3.1	3.16	33.3	3.1	3.18
40	60	32.3	3.4	2.75	32.0	3.4	2.78	31.7	3.3	2.80
	70	31.5	3.2	2.88	31.4	3.2	2.91	31.4	3.1	2.94
	80	30.6	3.0	3.00	30.9	3.0	3.04	31.1	3.0	3.08
30	60	28.4	3.2	2.59	28.5	3.2	2.63	28.7	3.1	2.68
	70	27.3	3.0	2.69	27.8	3.0	2.74	28.3	3.0	2.79
	80	26.1	2.7	2.79	27.0	2.8	2.85	27.9	2.8	2.91
17	60	21.8	2.7	2.37	22.9	2.7	2.44	24.0	2.8	2.51
	70	21.1	2.5	2.46	22.3	2.6	2.53	23.4	2.6	2.60
	80	17.6	2.1	2.47	18.8	2.2	2.55	20.1	2.2	2.63
10	60	21.2	2.6	2.36	20.7	2.5	2.43	20.3	2.4	2.51
	70	18.2	2.2	2.38	18.0	2.1	2.46	17.8	2.1	2.53
	80	15.2	1.9	2.40	15.3	1.8	2.48	15.3	1.8	2.56

NOTE: ALL CAPACITIES ARE NET, WITH INDOOR FAN HEAT ALREADY DEDUCTED. KW VALUES ARE FOR THE SYSTEM (OUTDOOR + INDOOR).

Yellow shaded cells are AHRI High Heating conditions. Orange shaded cells are AHRI Low Heating conditions.

Multipliers for determining the performance with other indoor sections.

Air Handler	Coil	MBH	COP	KW
–	FC/MC/PC37	0.94	0.96	0.97
–	FC/MC/PC43	0.94	0.96	0.97
–	FC/MC/PC48	0.93	0.96	0.97
–	UC48	0.95	0.99	0.96
AHE36C	–	0.92	1.02	0.90
AHE42D	–	0.91	1.03	0.89
AHR36B	–	0.94	0.97	0.97
AHR42C	–	0.93	0.98	0.95
AHV36C	–	0.92	1.01	0.91
AHV42D	–	0.91	1.03	0.89
MV12B	FC/MC43B	0.92	1.01	0.91

Air Handler	Coil	MBH	COP	KW
MV12D	FC/MC48D	0.91	1.04	0.88
MV16C	FC/MC43C	0.92	1.02	0.90
MV16C	FC/MC48C	0.91	1.02	0.89
MX12BN21	FC/MC43B	0.90	1.02	0.89
MX12DN21	FC/MC48D	0.90	1.05	0.86
MX16CN21	FC/MC43C	0.92	1.03	0.90
MX16CN21	FC/MC48C	0.92	1.04	0.89
MX20DN21	FC/MC48D	0.92	1.07	0.86

Furnace	Coil	MBH	COP	KW
T*(8,L)V*A12	FC/MC/PC37A	0.93	0.98	0.95
T*(8,L)V*B12	FC/MC/PC43B	0.93	0.98	0.95
T*(8,L)V*C16	FC/MC/PC43C	0.92	1.01	0.91
T*(8,L)V*C16	FC/MC/PC48C	0.91	1.02	0.90
T*(8,L)V*C16	UC48C	0.93	1.05	0.89
T*(8,L)V*C20	FC/MC/PC43C	0.92	1.01	0.91
T*(8,L)V*C20	FC/MC/PC48C	0.91	1.02	0.89
T*(8,L)V*C20	UC48C	0.93	1.05	0.88
T*9(C,V)*B12	FC/MC/PC43B	0.93	0.98	0.95
T*9(C,V)*C16	FC/MC/PC43C	0.93	0.99	0.93
T*9(C,V)*C16	FC/MC/PC48C	0.92	1.01	0.91
T*9(C,V)*C16	UC48C	0.93	1.04	0.90
T*9(C,V)*C20	FC/MC/PC43C	0.92	1.01	0.91
T*9(C,V)*C20	FC/MC/PC48C	0.94	1.01	0.93
T*9(C,V)*C20	UC48C	0.95	1.04	0.91
T*9(C,V)*D20	FC/MC/PC48D	0.91	1.01	0.90
T*9(C,V)*D20	UC48D	0.93	1.04	0.89
TM8X080B12MP11	FC/MC/PC43B	0.91	1.00	0.92
TM8X080C16MP11	FC/MC/PC43C	0.90	1.03	0.89
TM8X080C16MP11	FC/MC/PC48C	0.90	1.03	0.88
TM8X100C16MP11	FC/MC/PC43C	0.90	1.03	0.89
TM8X100C16MP11	FC/MC/PC48C	0.90	1.03	0.88
TM8X100C20MP11	FC/MC/PC43C	0.92	1.03	0.89
TM8X100C20MP11	FC/MC/PC48C	0.92	1.04	0.89
TM8X120C20MP11	FC/MC/PC43C	0.92	1.03	0.89
TM8X120C20MP11	FC/MC/PC48C	0.92	1.04	0.89
TM8X120C20MP11	UC48C	0.88	0.97	0.91
TM9E060B12MP11	FC/MC/PC43B	0.91	1.00	0.92
TM9E080B12MP11	FC/MC/PC43B	0.91	1.00	0.92
TM9E080C16MP11	FC/MC/PC43C	0.91	1.01	0.90
TM9E080C16MP11	FC/MC/PC48C	0.91	1.02	0.90
TM9E080C16MP11	UC48C	0.88	0.97	0.91
TM9E100C16MP11	FC/MC/PC43C	0.91	1.01	0.90
TM9E100C16MP11	FC/MC/PC48C	0.91	1.02	0.90
TM9E100C16MP11	UC48C	0.88	0.97	0.91
TM9E100C20MP11	FC/MC/PC43C	0.90	1.01	0.90
TM9E100C20MP11	FC/MC/PC48C	0.91	1.02	0.90
TM9E100C20MP11	UC48C	0.88	0.97	0.91
TM9E120D20MP11	FC/MC/PC48D	0.91	1.03	0.88
TM9E120D20MP11	UC48D	0.88	0.98	0.91
TM9X060B12MP11	FC/MC/PC43B	0.91	1.00	0.92
TM9X080B12MP11	FC/MC/PC43B	0.91	1.00	0.92
TM9X080C16MP11	FC/MC/PC43C	0.91	1.01	0.90

Furnace	Coil	MBH	COP	KW
TM9X080C16MP11	FC/MC/PC48C	0.91	1.02	0.90
TM9X080C16MP11	UC48C	0.88	0.97	0.91
TM9X100C16MP11	FC/MC/PC43C	0.91	1.01	0.90
TM9X100C16MP11	FC/MC/PC48C	0.91	1.02	0.90
TM9X100C16MP11	UC48C	0.88	0.97	0.91
TM9X100C20MP11	FC/MC/PC43C	0.90	1.01	0.90
TM9X100C20MP11	FC/MC/PC48C	0.91	1.02	0.90
TM9X100C20MP11	UC48C	0.88	0.97	0.91
TM9X120D20MP11	FC/MC/PC48D	0.91	1.03	0.88
TM9X120D20MP11	UC48D	0.88	0.98	0.91
TMLX080B12MP11	FC/MC/PC43B	0.91	1.00	0.92
TMLX080C16MP11	FC/MC/PC43C	0.90	1.03	0.89
TMLX080C16MP11	FC/MC/PC48C	0.90	1.03	0.88
TMLX080C16MP11	UC48C	0.88	0.98	0.91
TMLX100C16MP11	FC/MC/PC43C	0.90	1.03	0.89
TMLX100C16MP11	FC/MC/PC48C	0.90	1.03	0.88
TMLX100C16MP11	UC48C	0.88	0.98	0.91
TMLX100C20MP11	FC/MC/PC43C	0.92	1.03	0.89
TMLX100C20MP11	FC/MC/PC48C	0.92	1.04	0.89
TMLX100C20MP11	UC48C	0.89	0.97	0.92
TMLX120C20MP11	FC/MC/PC43C	0.92	1.03	0.89
TMLX120C20MP11	FC/MC/PC48C	0.92	1.04	0.89
TMLX120C20MP11	UC48C	0.89	0.97	0.92
Y*(8,L)C*A12	FC/MC/PC37A	0.93	0.98	0.95
Y*(8,L)C*B12	FC/MC/PC43B	0.93	0.98	0.95
Y*(8,L)C*C16	FC/MC/PC43C	0.92	1.01	0.91
Y*(8,L)C*C16	FC/MC/PC48C	0.91	1.02	0.90
Y*(8,L)C*C16	UC48C	0.93	1.05	0.89
Y*(8,L)C*C20	FC/MC/PC43C	0.92	1.01	0.91
Y*(8,L)C*C20	FC/MC/PC48C	0.91	1.02	0.89
Y*(8,L)C*C20	UC48C	0.93	1.05	0.88
Y*9C*B12	FC/MC/PC43B	0.93	0.98	0.95
Y*9C*C16	FC/MC/PC43C	0.93	0.99	0.93
Y*9C*C16	FC/MC/PC48C	0.92	1.01	0.91
Y*9C*C16	UC48C	0.93	1.04	0.90
Y*9C*C20	FC/MC/PC43C	0.92	1.01	0.91
Y*9C*C20	FC/MC/PC48C	0.94	1.01	0.93
Y*9C*C20	UC48C	0.95	1.04	0.91
Y*9C*D20	FC/MC/PC48D	0.91	1.01	0.90
Y*9C*D20	UC48D	0.93	1.04	0.89

HEATING PERFORMANCE DATA										
CONDENSING UNIT MODEL NO		YHJD42S41S4								
AIR TEMP. ENTERING OUTDOOR UNIT (°F)	AIR TEMP. ENTERING INDOOR COIL	ID CFM								
		1200			1400			1600		
		MBH	COP	KW	MBH	COP	KW	MBH	COP	KW
60	60	45.9	4.2	3.23	45.2	4.1	3.20	44.6	4.1	3.18
	70	44.7	3.8	3.42	44.5	3.8	3.40	44.4	3.8	3.39
	80	43.5	3.5	3.61	43.8	3.6	3.60	44.1	3.6	3.58
47	60	41.8	4.2	2.92	41.5	4.0	3.07	41.2	3.7	3.22
	70	40.8	3.9	3.09	40.3	3.7	3.19	39.8	3.5	3.35
	80	39.7	3.6	3.27	39.1	3.4	3.35	38.4	3.3	3.43
40	60	39.0	4.0	2.85	38.6	3.8	2.98	38.2	3.6	3.12
	70	37.7	3.7	3.00	37.1	3.5	3.13	36.5	3.3	3.25
	80	36.3	3.4	3.15	35.5	3.2	3.27	34.8	3.0	3.39
30	60	34.9	3.7	2.73	34.0	3.5	2.85	33.2	3.3	2.97
	70	32.6	3.4	2.85	31.7	3.1	2.95	30.8	3.0	3.06
	80	30.3	3.0	2.96	29.4	2.8	3.06	28.5	2.6	3.16
17	60	26.6	3.0	2.64	25.8	2.8	2.71	25.0	2.6	2.79
	70	22.6	2.6	2.60	21.9	2.4	2.69	21.2	2.2	2.77
	80	20.3	2.2	2.67	19.7	2.1	2.77	19.1	1.9	2.87
10	60	20.9	2.5	2.47	20.1	2.3	2.57	19.3	2.1	2.66
	70	18.7	2.2	2.50	18.0	2.0	2.60	17.4	1.9	2.70
	80	16.4	1.9	2.52	15.9	1.8	2.63	15.4	1.7	2.73

NOTE: ALL CAPACITIES ARE NET, WITH INDOOR FAN HEAT ALREADY DEDUCTED. KW VALUES ARE FOR THE SYSTEM (OUTDOOR + INDOOR).

Yellow shaded cells are AHRI High Heating conditions. Orange shaded cells are AHRI Low Heating conditions.

Multipliers for determining the performance with other indoor sections.

Air Handler	Coil	MBH	COP	KW
–	FC/MC/PC60	1.00	1.00	1.00
–	UC60	1.02	1.03	0.99
AHE48D	–	0.98	1.06	0.92
AHR48D	–	1.00	0.99	1.01
AHV48D	–	0.98	1.04	0.94
MV16C	FC/MC48C	0.98	1.04	0.94
MV16C	FC60C	0.99	1.04	0.95

Air Handler	Coil	MBH	COP	KW
MV20D	FC/MC48D	0.98	1.07	0.92
MV20D	FC/MC60D	0.99	1.05	0.95
MX16CN21	FC60C	1.00	1.03	0.96
MX20DN21	FC/MC60D	0.99	1.05	0.93

Furnace	Coil	MBH	COP	KW
T*(8,L)V*C16	FC/MC/PC48C	0.91	0.97	0.94
T*(8,L)V*C16	FC/PC60C	0.99	1.03	0.97
T*(8,L)V*C16	UC60C	1.00	1.06	0.94
T*(8,L)V*C20	FC/MC/PC48C	0.91	0.97	0.94
T*(8,L)V*C20	FC/PC60C	0.99	1.04	0.95
T*(8,L)V*C20	UC60C	1.00	1.08	0.93
T*9(C,V)*C16	FC/MC/PC48C	0.91	0.95	0.95
T*9(C,V)*C16	FC/PC60C	1.00	1.01	1.00
T*9(C,V)*C16	UC60C	1.02	1.04	0.98
T*9(C,V)*C20	FC/MC/PC48C	0.91	0.95	0.96
T*9(C,V)*C20	FC/PC60C	0.99	1.02	0.97
T*9(C,V)*C20	UC60C	1.02	1.05	0.97
T*9(C,V)*D20	FC/MC/PC48D	0.91	0.96	0.95
T*9(C,V)*D20	FC/MC/PC60D	0.99	1.03	0.97
T*9(C,V)*D20	UC60D	1.00	1.06	0.95
TM8X080C16MP11	FC/PC60C	1.00	1.01	0.97
TM8X080C16MP11	UC60C	0.98	1.00	0.97
TM8X100C16MP11	FC/PC60C	1.00	1.01	0.97
TM8X100C16MP11	UC60C	0.98	0.99	0.98
TM8X100C20MP11	FC/PC60C	1.00	1.02	0.97
TM8X100C20MP11	UC60C	0.99	1.00	0.97
TM8X120C20MP11	FC/PC60C	1.00	1.02	0.97
TM8X120C20MP11	UC60C	0.99	1.00	0.97
TM9E120D20MP11	FC/MC/PC60D	0.98	0.99	0.98
TM9E120D20MP11	UC60D	0.98	0.99	0.98
TM9X120D20MP11	FC/MC/PC60D	0.98	0.99	0.98

Furnace	Coil	MBH	COP	KW
TM9X120D20MP11	UC60D	0.98	0.99	0.98
TMLX080C16MP11	FC/PC60C	1.00	1.01	0.97
TMLX080C16MP11	UC60C	0.98	0.99	0.98
TMLX100C16MP11	FC/PC60C	1.00	1.01	0.97
TMLX100C16MP11	UC60C	0.98	0.99	0.98
TMLX100C20MP11	FC/PC60C	1.00	1.02	0.97
TMLX100C20MP11	UC60C	0.99	1.00	0.97
TMLX120C20MP11	FC/PC60C	1.00	1.02	0.97
TMLX120C20MP11	UC60C	0.99	1.00	0.97
Y*(8,L)C*C16	FC/MC/PC48C	0.91	0.97	0.94
Y*(8,L)C*C16	FC/PC60C	0.99	1.03	0.97
Y*(8,L)C*C16	UC60C	1.00	1.06	0.94
Y*(8,L)C*C20	FC/MC/PC48C	0.91	0.97	0.94
Y*(8,L)C*C20	FC/PC60C	0.99	1.04	0.95
Y*(8,L)C*C20	UC60C	1.00	1.08	0.93
Y*9C*C16	FC/MC/PC48C	0.91	0.95	0.95
Y*9C*C16	FC/PC60C	1.00	1.01	1.00
Y*9C*C16	UC60C	1.02	1.04	0.98
Y*9C*C20	FC/MC/PC48C	0.91	0.95	0.96
Y*9C*C20	FC/PC60C	0.99	1.02	0.97
Y*9C*C20	UC60C	1.02	1.05	0.97
Y*9C*D20	FC/MC/PC48D	0.91	0.96	0.95
Y*9C*D20	FC/MC/PC60D	0.99	1.03	0.97
Y*9C*D20	UC60D	1.00	1.06	0.95

HEATING PERFORMANCE DATA										
CONDENSING UNIT MODEL NO		YHJD48S41S4								
AIR TEMP. ENTERING OUTDOOR UNIT (°F)	AIR TEMP. ENTERING INDOOR COIL	ID CFM								
		1400			1600			1800		
		MBH	COP	KW	MBH	COP	KW	MBH	COP	KW
60	60	53.4	3.7	4.17	53.2	3.7	4.17	53.1	3.7	4.16
	70	51.9	3.5	4.32	52.0	3.5	4.31	52.2	3.6	4.30
	80	50.4	3.3	4.45	50.8	3.3	4.46	51.3	3.4	4.46
47	60	46.3	3.6	3.75	46.6	3.6	3.77	46.9	3.6	3.78
	70	46.5	3.7	3.71	46.0	3.5	3.85	45.5	3.4	3.97
	80	46.7	3.7	3.68	45.4	3.5	3.84	44.2	3.2	4.01
40	60	42.6	3.5	3.52	42.8	3.5	3.55	43.0	3.5	3.58
	70	39.8	3.3	3.57	40.3	3.3	3.61	40.8	3.3	3.65
	80	37.0	3.0	3.63	37.8	3.0	3.68	38.7	3.0	3.72
30	60	32.1	3.1	3.04	33.2	3.1	3.12	34.4	3.1	3.21
	70	31.7	2.9	3.16	32.7	3.0	3.24	33.7	3.0	3.31
	80	31.4	2.8	3.29	32.2	2.8	3.36	32.9	2.8	3.42
17	60	27.2	2.8	2.82	28.1	2.9	2.88	29.0	2.9	2.95
	70	26.6	2.7	2.89	27.6	2.7	2.98	28.5	2.7	3.07
	80	24.2	2.4	2.96	25.1	2.4	3.05	26.1	2.4	3.14
10	60	23.1	2.6	2.62	24.4	2.6	2.72	25.7	2.7	2.83
	70	21.7	2.3	2.71	22.7	2.4	2.81	23.7	2.4	2.91
	80	20.3	2.1	2.80	21.1	2.1	2.90	21.8	2.1	2.99

NOTE: ALL CAPACITIES ARE NET, WITH INDOOR FAN HEAT ALREADY DEDUCTED. KW VALUES ARE FOR THE SYSTEM (OUTDOOR + INDOOR).

Yellow shaded cells are AHRI High Heating conditions. Orange shaded cells are AHRI Low Heating conditions.

Multipliers for determining the performance with other indoor sections.

Air Handler	Coil	MBH	COP	KW
–	FC/MC/PC60	1.00	1.00	1.00
–	FC/MC62	0.99	1.01	0.98
–	UC60	1.00	1.02	0.98
AHE48D	–	0.98	1.06	0.92
AHE60D	–	0.97	1.06	0.91
AHR48D	–	0.97	0.98	0.98
AHR60D	–	0.99	1.01	0.98
AHV48D	–	0.97	1.02	0.95

Air Handler	Coil	MBH	COP	KW
AHV60D	–	0.98	1.03	0.95
MV16C	FC60C	0.98	1.06	0.93
MV20D	FC/MC60D	0.98	1.06	0.93
MV20D	FC/MC62D	0.98	1.06	0.93
MX16CN21	FC60C	0.96	1.00	0.94
MX20DN21	FC/MC60D	0.95	1.02	0.92
MX20DN21	FC/MC62D	0.96	1.03	0.92

Furnace	Coil	MBH	COP	KW
T*(8,L)V*C16	FC/MC62D	0.99	1.03	0.96
T*(8,L)V*C16	FC/PC60C	0.99	1.03	0.96
T*(8,L)V*C16	UC60C	0.99	1.03	0.96
T*(8,L)V*C20	FC/MC62D	0.99	1.04	0.95
T*(8,L)V*C20	FC/PC60C	0.99	1.04	0.95
T*(8,L)V*C20	UC60C	0.99	1.05	0.95
T*9(C,V)*C16	FC/MC62D	0.99	1.03	0.96
T*9(C,V)*C16	FC/PC60C	0.99	1.03	0.96
T*9(C,V)*C16	UC60C	0.99	1.02	0.97
T*9(C,V)*C20	FC/MC62D	0.99	1.02	0.97
T*9(C,V)*C20	FC/PC60C	0.99	1.03	0.96
T*9(C,V)*C20	UC60C	0.99	1.02	0.97
T*9(C,V)*D20	FC/MC/PC60D	0.99	1.04	0.95
T*9(C,V)*D20	FC/MC62D	0.99	1.02	0.97
T*9(C,V)*D20	UC60D	0.99	1.03	0.96
TM8X080C16MP11	FC/MC62D	0.97	0.99	0.97
TM8X080C16MP11	FC/PC60C	0.97	0.97	0.99
TM8X080C16MP11	UC60C	0.97	0.96	0.99
TM8X100C16MP11	FC/MC62D	0.97	0.99	0.97
TM8X100C16MP11	FC/PC60C	0.97	0.97	0.99
TM8X100C16MP11	UC60C	0.97	0.96	0.99
TM8X100C20MP11	FC/MC62D	0.97	1.00	0.96
TM8X100C20MP11	FC/PC60C	0.96	0.98	0.96
TM8X100C20MP11	UC60C	0.97	0.98	0.98
TM8X120C20MP11	FC/MC62D	0.97	1.00	0.96
TM8X120C20MP11	FC/PC60C	0.96	0.98	0.96
TM8X120C20MP11	UC60C	0.97	0.98	0.98
TM9E100C20MP11	FC/MC62D	0.97	0.99	0.97
TM9E120D20MP11	FC/MC/PC60D	0.96	0.98	0.96
TM9E120D20MP11	FC/MC62D	0.97	0.99	0.97
TM9E120D20MP11	UC60D	0.97	0.98	0.98
TM9X100C20MP11	FC/MC62D	0.97	0.99	0.97

Furnace	Coil	MBH	COP	KW
TM9X120D20MP11	FC/MC/PC60D	0.96	0.98	0.96
TM9X120D20MP11	FC/MC62D	0.97	0.99	0.97
TM9X120D20MP11	UC60D	0.97	0.98	0.98
TMLX080C16MP11	FC/MC62D	0.97	0.99	0.97
TMLX080C16MP11	FC/PC60C	0.97	0.97	0.99
TMLX080C16MP11	UC60C	0.97	0.96	0.99
TMLX100C16MP11	FC/MC62D	0.97	0.99	0.97
TMLX100C16MP11	FC/PC60C	0.97	0.97	0.99
TMLX100C16MP11	UC60C	0.97	0.96	0.99
TMLX100C20MP11	FC/MC62D	0.97	1.00	0.96
TMLX100C20MP11	FC/PC60C	0.96	0.98	0.96
TMLX100C20MP11	UC60C	0.97	0.98	0.98
TMLX120C20MP11	FC/MC62D	0.97	1.00	0.96
TMLX120C20MP11	FC/PC60C	0.96	0.98	0.96
TMLX120C20MP11	UC60C	0.97	0.98	0.98
Y*(8,L)C*C16	FC/MC62D	0.99	1.03	0.96
Y*(8,L)C*C16	FC/PC60C	0.99	1.03	0.96
Y*(8,L)C*C16	UC60C	0.99	1.03	0.96
Y*(8,L)C*C20	FC/MC62D	0.99	1.04	0.95
Y*(8,L)C*C20	FC/PC60C	0.99	1.04	0.95
Y*(8,L)C*C20	UC60C	0.99	1.05	0.95
Y*9C*C16	FC/MC62D	0.99	1.03	0.96
Y*9C*C16	FC/PC60C	0.99	1.03	0.96
Y*9C*C16	UC60C	0.99	1.02	0.97
Y*9C*C20	FC/MC62D	0.99	1.02	0.97
Y*9C*C20	FC/PC60C	0.99	1.03	0.96
Y*9C*C20	UC60C	0.99	1.02	0.97
Y*9C*D20	FC/MC/PC60D	0.99	1.04	0.95
Y*9C*D20	FC/MC62D	0.99	1.02	0.97
Y*9C*D20	UC60D	0.99	1.03	0.96

HEATING PERFORMANCE DATA										
CONDENSING UNIT MODEL NO		YHJD60S41S6								
AIR TEMP. ENTERING OUTDOOR UNIT (°F)	AIR TEMP. ENTERING INDOOR COIL	ID CFM								
		1600			1800			2000		
		MBH	COP	KW	MBH	COP	KW	MBH	COP	KW
60	60	65.6	4.2	4.64	66.2	4.3	4.51	66.7	4.5	4.38
	70	64.9	3.7	5.08	65.7	3.9	4.95	66.5	4.1	4.81
	80	64.2	3.4	5.53	65.2	3.6	5.38	66.3	3.7	5.24
47	60	57.6	3.9	4.33	58.4	4.0	4.25	59.2	4.2	4.16
	70	56.5	3.5	4.73	57.5	3.6	4.63	58.5	3.8	4.53
	80	55.4	3.2	5.13	56.6	3.3	5.02	57.8	3.5	4.90
40	60	51.9	3.7	4.16	52.0	3.8	4.05	52.1	3.9	3.95
	70	46.6	3.1	4.38	49.4	3.3	4.36	52.2	3.5	4.33
	80	41.4	2.6	4.61	46.8	2.9	4.66	52.3	3.2	4.72
30	60	44.9	3.3	3.95	43.5	3.3	3.83	41.9	3.3	3.71
	70	43.4	3.0	4.29	42.2	3.0	4.16	40.9	3.0	4.04
	80	41.9	2.7	4.64	40.9	2.7	4.50	39.9	2.7	4.36
17	60	29.9	2.4	3.62	33.5	2.7	3.63	37.3	3.0	3.63
	70	30.1	2.2	3.97	31.9	2.4	3.95	33.8	2.5	3.92
	80	30.2	2.1	4.32	30.3	2.1	4.28	30.4	2.1	4.22
10	60	28.8	2.4	3.59	29.8	2.5	3.58	30.9	2.6	3.55
	70	25.6	1.9	3.88	26.0	2.0	3.86	26.5	2.0	3.84
	80	22.4	1.6	4.18	22.2	1.6	4.15	22.0	1.6	4.12

NOTE: ALL CAPACITIES ARE NET, WITH INDOOR FAN HEAT ALREADY DEDUCTED. KW VALUES ARE FOR THE SYSTEM (OUTDOOR + INDOOR).

Yellow shaded cells are AHRI High Heating conditions. Orange shaded cells are AHRI Low Heating conditions.

Multipliers for determining the performance with other indoor sections.

Air Handler	Coil	MBH	COP	KW
-	FC/MC62	1.00	1.00	1.00
-	FC64	1.02	0.98	1.02
AHE60D	-	0.96	0.98	0.97
AHR60D	-	0.98	0.95	1.01
AHV60D	-	0.97	0.94	1.00
MV20D	FC/MC62D	0.97	0.97	0.99
MV20D	FC64D	1.00	1.01	0.98
MX20DN21	FC/MC62D	0.96	1.02	0.93
MX20DN21	FC64D	1.10	1.12	0.97

Furnace	Coil	MBH	COP	KW
T*(8,L)V*C20	FC/MC62D	0.97	0.93	1.01
T*(8,L)V*C20	FC64D	1.01	1.00	1.00
T*9V*C20	FC/MC62D	0.98	0.94	1.01
T*9V*C20	FC64D	1.13	1.03	1.06
T*9V*D20	FC/MC62D	0.97	0.94	1.00
T*9V*D20	FC64D	1.13	1.03	1.06
TM8X080C16MP11	FC/MC62D	0.97	1.00	0.97
TM8X080C16MP11	FC64D	1.11	1.10	1.00
TM8X100C16MP11	FC/MC62D	0.97	1.00	0.97
TM8X100C16MP11	FC64D	1.11	1.10	1.00
TM8X100C20MP11	FC/MC62D	0.97	1.01	0.96
TM8X100C20MP11	FC64D	1.10	1.11	0.99
TM8X120C20MP11	FC/MC62D	0.97	1.01	0.96

Furnace	Coil	MBH	COP	KW
TM8X120C20MP11	FC64D	1.10	1.11	0.99
TM9E100C20MP11	FC/MC62D	0.97	1.00	0.97
TM9E100C20MP11	FC64D	1.11	1.10	1.00
TM9E120D20MP11	FC/MC62D	0.97	1.00	0.97
TM9E120D20MP11	FC64D	1.11	1.10	1.01
TM9X100C20MP11	FC/MC62D	0.97	1.00	0.97
TM9X100C20MP11	FC64D	1.11	1.10	1.00
TM9X120D20MP11	FC/MC62D	0.97	1.00	0.97
TM9X120D20MP11	FC64D	1.11	1.10	1.01
TMLX080C16MP11	FC/MC62D	0.97	1.00	0.97
TMLX080C16MP11	FC64D	1.11	1.10	1.00
TMLX100C16MP11	FC/MC62D	0.97	1.00	0.97
TMLX100C16MP11	FC64D	1.11	1.10	1.00
TMLX100C20MP11	FC/MC62D	0.97	1.01	0.96
TMLX100C20MP11	FC64D	1.10	1.11	0.99
TMLX120C20MP11	FC/MC62D	0.97	1.01	0.96
TMLX120C20MP11	FC64D	1.10	1.11	0.99
Y*(8,L)C*C20	FC/MC62D	0.97	0.93	1.01
Y*(8,L)C*C20	FC64D	1.01	1.00	1.00
Y*9C*C20	FC/MC62D	0.98	0.94	1.01
Y*9C*C20	FC64D	1.13	1.03	1.06
Y*9C*D20	FC/MC62D	0.97	0.94	1.00
Y*9C*D20	FC64D	1.13	1.03	1.06

